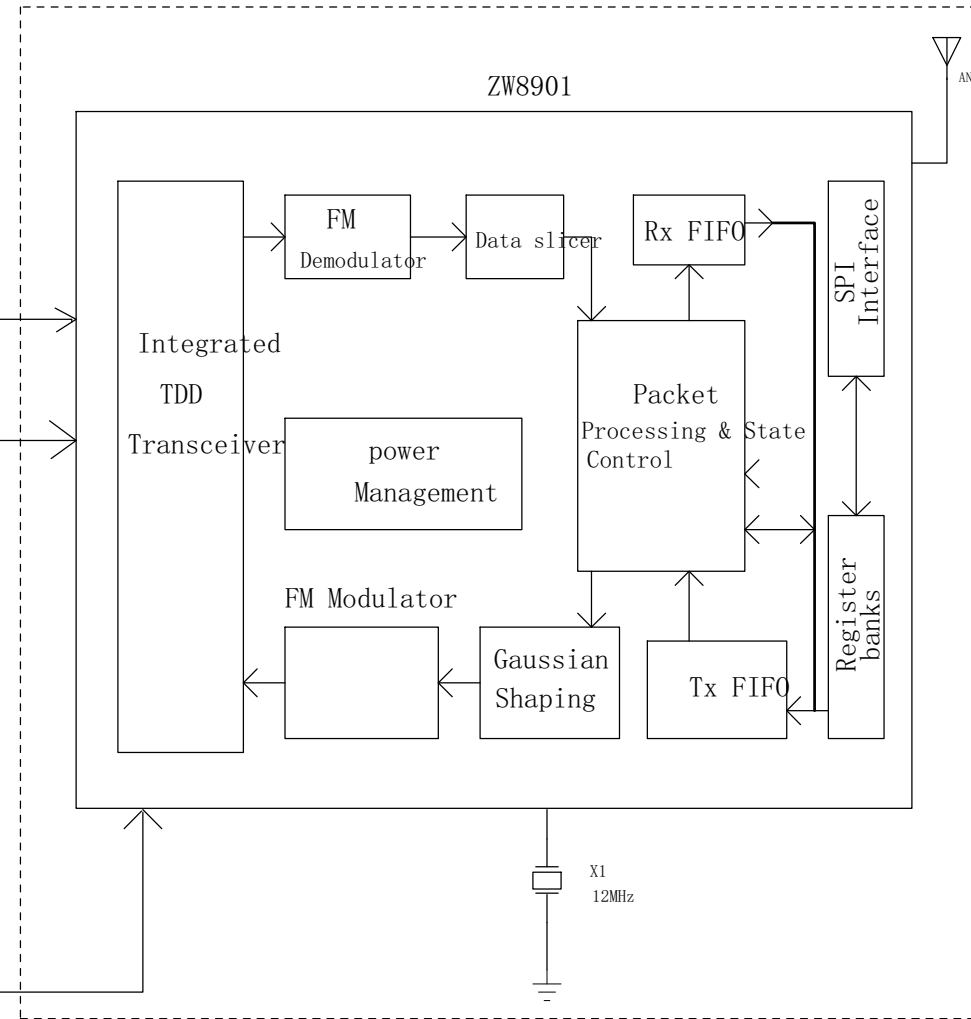
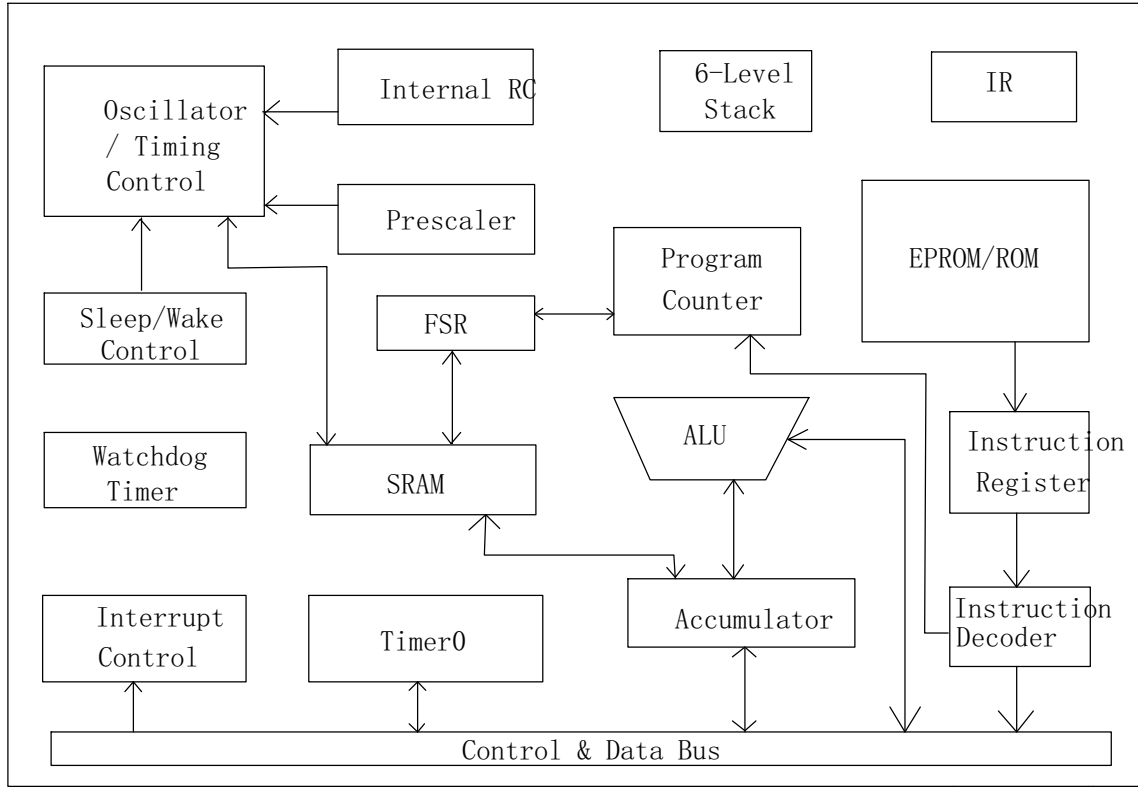


2414-2467MHz

MCU AM8EB153

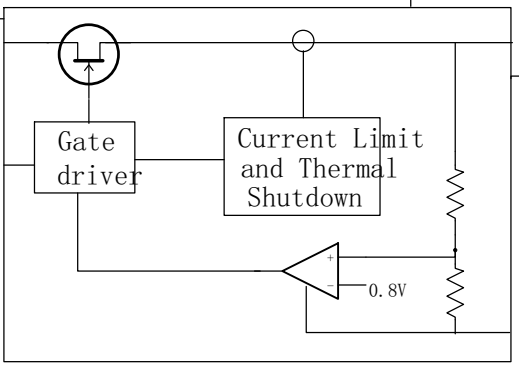
ZW8901



2.4G RF MODULE

6V

PTC



MX6208 3.3V Voltageadjust

U1 MX612 Motor Control → TO M1 (Motor)

U2 MX612 Motor Control → TO M2 (Motor)