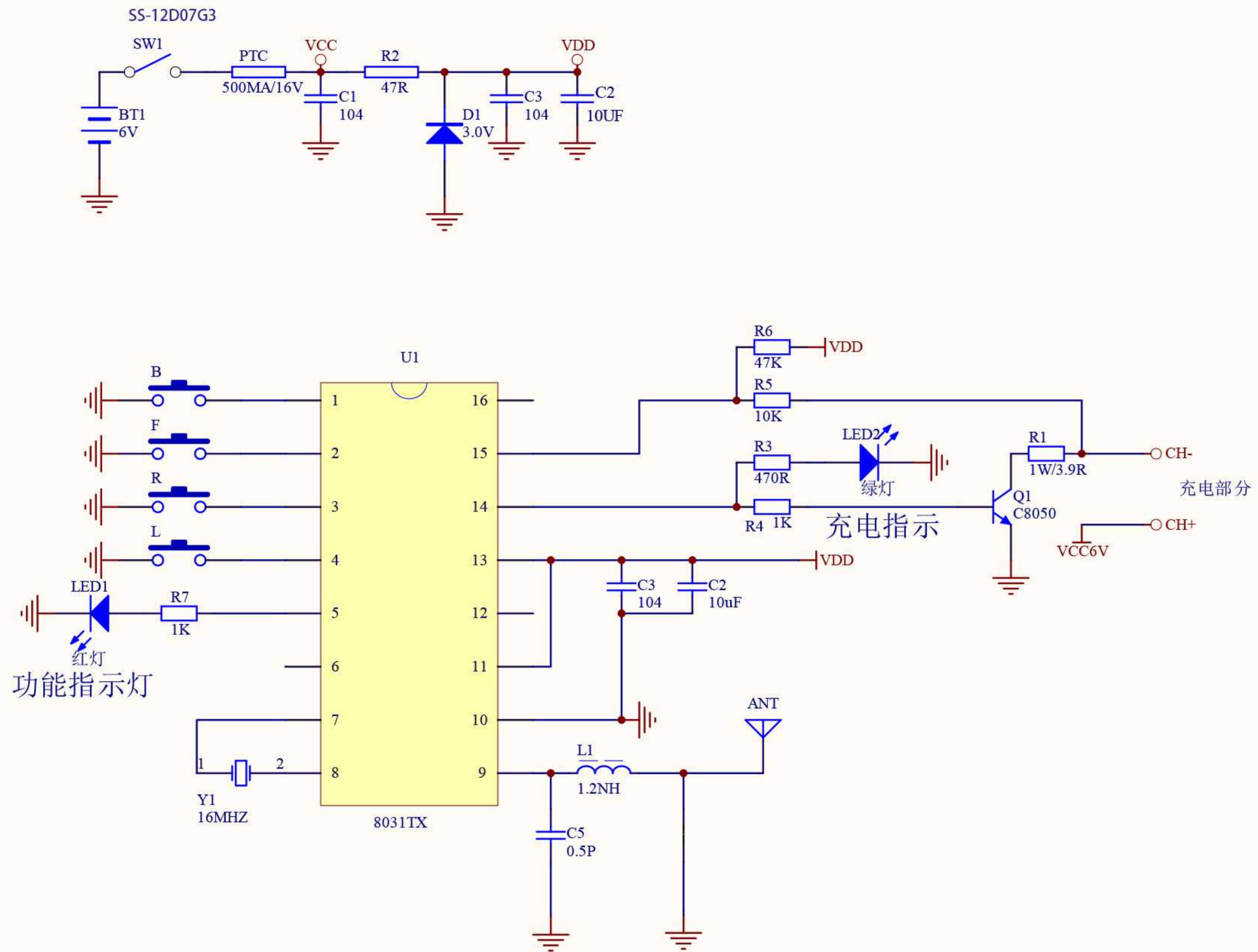


Circuit diagram of PCB NO. CX8031TX 发射板2.4G原理图



Title			CX8031TX(2.4G)		
Size	Number	Revision			
A4	双面车发射				
Date:	5-Dec-2019	Sheet of			
File:	C:\Users\Administrator\Desktop\创新\CX8031TX.Dwg				