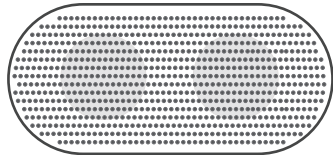


Manual Size: 262w x 106h mm

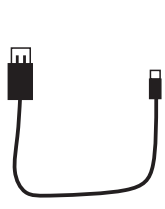
Front

Wireless Speaker Instruction Manual

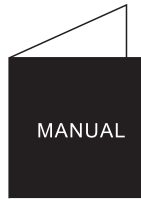
Packing Content



1 Wireless Speaker

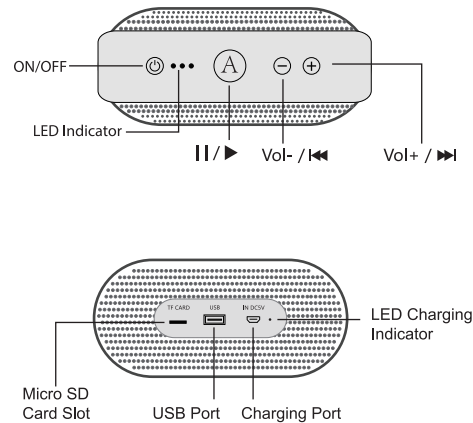


1 USB Cable



1 Instruction Manual


Diagram



Introduction

This manual will help you operate the wireless speaker. You should first familiarize yourself with the Bluetooth functionality of your cell phone or other devices before using the wireless speaker.

General Functions

Desired Result	Required Action
Turn on & Enter pairing mode	Press the ON/OFF button for about 3 Seconds
Pairing	You should use a Bluetooth function cell phone or other Bluetooth device and to perform pairing action
Turn off	Press the ON/OFF button again for about 3 Seconds
Charging	Plug the Mini USB cable to charging port of the device
USB flash drive	Insert USB flash drive with MP3 format files inside
Micro SD card	Insert Micro SD card (Up to 32GB) with MP3 format files inside
FM Radio	Plug the Mini USB cable to charging port as an antenna, short press the ON/OFF button to change to the radio mode.
Handsfree Calling	You can press the  button to answer the call if your cell phone was pairing with the wireless speaker

Pairing to cell phone or other device

To use your wireless speaker, you must first pair your speaker with a phone or a computer. Once your wireless speaker is paired to a specific cell phone, they will remain paired and automatically recognize each other whenever they are within range.

Pairing to a phone and entertainment:

- Turn on your phone and ensure its Bluetooth function is activated.
- Turn on the speaker go to the pairing mode.
- Search your Bluetooth devices on your phone by the following the phone's user manual for more information.
- After a few second the phone will list the "BT Speaker" as a discover device.
- Select it and follow your phone instruction to select this pairing.
- Your phone will confirm the pairing, and then press Yes/OK
- Finally, select to connect with round speaker from your phone.
- You can play music, watch TV / movies and play games with your phone; you can hear all the sound or music from the speaker. Also, you can control the player by operating the speaker. Example, volume up and next music.

Back

Pairing to computer and entertainment

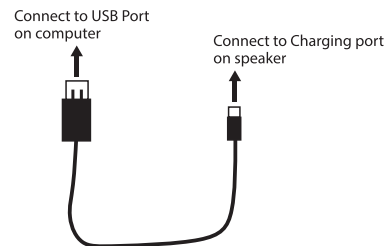
If there is no Bluetooth function supported by your computer, a Bluetooth adapter is necessary. Fix the adapter with your computer and ensure its Bluetooth function is activated.

Turn on the speaker go to pairing mode.

Open the Bluetooth software installed on your computer and select "Search your Bluetooth devices" function. Refer to user manual of the Bluetooth software for more information. After a few second the Bluetooth speaker will list the Bluetooth software of your computer as a discover device. Select this icon and click right button of mouse to select "pairing" item, then select "connect with audio device" with same operation. Open your media player software to play music, watch TV / movies and play games, all the sound will be playback on your speaker.

Charge your speaker

Connect the speaker to computer with the cable included. Red color LED indicator is ON when charging. Make sure that your speaker is fully charged for at least 6 hours before initial use.



Safety Rules

1. Please follow the rules depicted in this manual closely to ensure your safety. Before using this wireless speaker, we would strongly encourage you to read through this user manual.
2. Be wary of any edges, uneven surfaces, metal parts, accessories and its packaging so as to prevent any possible injury or damage.
3. Do not modify, repair or dismantle this wireless speaker. Doing so may result in fires, electric shocks, complete breakdown of this wireless speaker, etc. All of which, are not covered under warranty.
4. Do not use any diluents or volatile liquid to clean the wireless speaker.
5. Do not use the wireless speaker in a hazardous location.

Warning:

You must select a qualified charger form a regular manufacturer. You must charge the wireless speaker if it has been not used for more than 1 month.

Product Specification

Parameter	Value
Diver Diameter	40mm
Impedance	4 Ohms
Bluetooth Versions	2.1
Battery Capacity	500 mAh
Bluetooth Range	30 foot
Support	Bluetooth USB flash drive Micro SD Card Handsfree Calling FM radio

Made in China

Wireless Speaker Instruction Manual



This device complies with Part 15 of the FCC Rules. Operation is subject to the following two conditions: (1) this device may not cause harmful interference, and (2) this device must accept any interference received, including interference that may cause undesired operation.

Changes or modifications not expressly approved by the party responsible for compliance could void the user's authority to operate the equipment

NOTE: This equipment has been tested and found to comply with the limits for a Class B digital device, pursuant to Part 15 of the FCC Rules. These limits are designed to provide reasonable protection against harmful interference in a residential installation. This equipment generates, uses instructions, may cause harmful interference to radio communications. However, there is no guarantee that interference will not occur in a particular installation. If this equipment does cause harmful interference to radio or television reception, which can be determined by turning the equipment off and on, the user is encouraged to try to correct the interference by one or more of the following measures:

- Reorient or relocate the receiving antenna.
- Increase the separation between the equipment and receiver.
- Connect the equipment into an outlet on a circuit different from that to which the receiver is connected.
- Consult the dealer or an experienced radio/TV technician for help.