



DESIGNED TO MOVE [YOU][®]

JWM30

MOBILE AUDIO SYSTEM

Installation and Owner's Manual





DESIGNED TO MOVE [YOU][®]

CONTENTS

Introduction.....	3
Installation.....	4
Wiring	5
Basic Operation.....	6
Tuner Operation.....	9
MP3/USB Operation	10
Bluetooth Operation	11
Remote Control Operation.....	12
Care and Maintenance	14
Troubleshooting.....	14
Specifications	15
FCC Notes	15



DESIGNED TO MOVE [YOU]™

JWM30

INTRODUCTION

Thank you!

Thank you for choosing a Jensen product. We hope you will find the instructions in this owner's manual clear and easy to follow. If you take a few minutes to look through it, you'll learn how to use all the features of your new Jensen receiver for maximum enjoyment.

Features

Features of Jensen JWM30 mobile audio system include:

- Digital AM/FM Tuner/30 Preset stations (12 AM/18 FM)
- Dual Bluetooth Ready with A2DP/AVRCP Streaming Audio
- Zone C mode individual Bluetooth selectable
- Electronic Bass, Treble, Balance and Loudness Controls
- HDMI Input Pass Through Rear HDMI Output with ARC/CEC
- Time/Alarm Clock
- Dimmable Backlit LCD Control
- Rear Audio RCA Input/Outputs
- USB Playback of MP3 Files
- 3 Zone / 6 Speaker Output
- Independent Zone AB or Zone C Volume Control
- Wireless Remote Control Included

Precautions

- **Use the Proper Power Supply**
This product is designed to operate with a 12 volt DC, negative ground battery system (the standard system in a North American vehicle)
- **Protect the Disc Mechanism.**
Avoid inserting any foreign objects into the slot of this player. Failure to observe this may cause malfunction due to the precise mechanism of this unit.
- **Use Authorized Service Centers.**
Do not attempt to disassemble or adjust this precision product; contact a professional for assistance.
- **Avoid Moisture.**
To reduce the risk of fire or electric shock, do not expose this equipment to rain or moisture.

Avoid Cleaning Products.

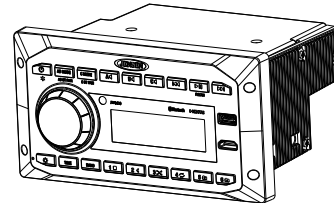
The front of this unit should only be cleaned with a slightly damp cloth. Do not use cleansers.

Use Recommended Accessories.

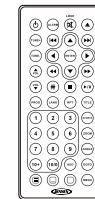
TO REDUCE THE RISK OF FIRE OR ELECTRIC SHOCK AND ANNOYING INTERFERENCE, USE ONLY THE RECOMMENDED ACCESSORIES.

Packing List

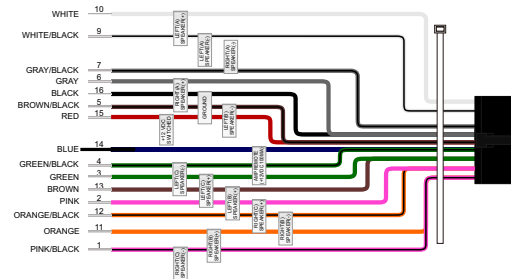
JWM30



Remote Control



20-PIN Speaker Wire





DESIGNED TO MOVE [YOU]™

JWM30

INSTALLATION

It's a good idea to read all of the instructions before beginning the installation. We recommend having your Jensen JWM30 installed by a reputable RV dealership.

Tools and Supplies

You will need these tools and supplies to install your JWM30:

- Phillips screwdriver
- Wire cutters and strippers
- Tools to remove existing radio (screwdriver, socket wrench set or other tools)
- Electrical tape
- Crimping tool
- Volt meter/test light
- Crimp connections
- 16 gauge wire for power connections
- 16-18 gauge speaker wire
- Four M3x20mm (3/32 x 0.75") screws

Disconnecting the Battery

To prevent a short circuit, be sure to turn off the ignition and remove the negative (-) battery cable prior to installation.

NOTE: If the JWM30 is to be installed in a vehicle equipped with an onboard drive or navigation computer, do not disconnect the battery cable. If the cable is disconnected, the computer memory may be lost. Under these conditions, use extra caution during installation to avoid causing a short circuit.

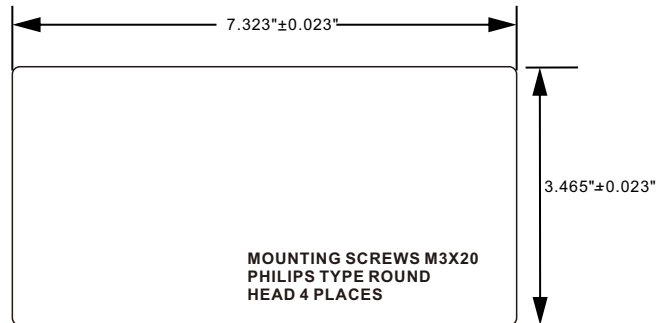
Selecting the Mounting Location

Select a mounting location, taking care to avoid the following:

- Places exposed to heat-radiating appliances such as electric heaters
- Adjacent to other equipment that radiates heat
- Poorly-ventilated or dusty places
- Moist or humid locations

Preparing the Opening

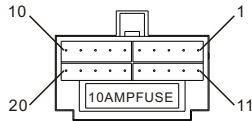
Use the mounting hole diagram (right) to measure and cut a mounting hole, then mount the unit using four M3x20mm screws.



NOTE: Before cutting the mounting hole, make sure the area behind the mounting location is clear of wires, fuel and vacuum or brake lines.

WIRING

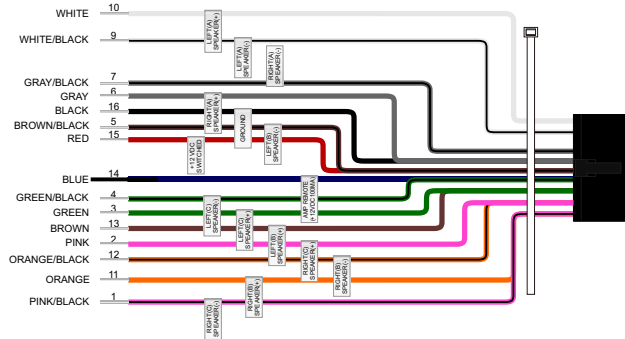
The wiring diagram depicts all the wiring connections required for proper operation of the unit.



DETAIL A
SHOWN FROM PIN VIEW

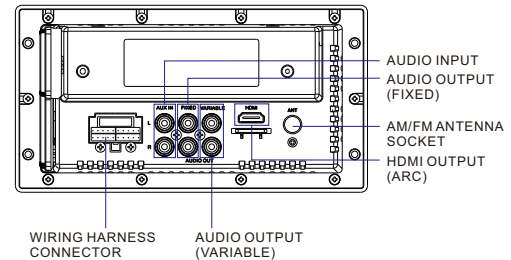
PIN NO.	WIRE COLOR	DESCRIPTION
1	PINK/BLACK	RIGHT(C) SPEAKER (-)
2	PINK	RIGHT(C) SPEAKER (+)
3	GREEN	LEFT(C) SPEAKER (+)
4	GREEN/BLACK	LEFT(C) SPEAKER (-)
5	BROWN/BLACK	LEFT(B) SPEAKER (-)
6	GRAY	RIGHT(A) SPEAKER (+)
7	GRAY/BLACK	RIGHT(A) SPEAKER (-)
8	N/A	N/A
9	WHITE/BLACK	LEFT(A) SPEAKER (-)
10	WHITE	LEFT(A) SPEAKER (+)
11	ORANGE	RIGHT(B) SPEAKER (+)
12	ORANGE/BLACK	RIGHT(B) SPEAKER (-)
13	BROWN	LEFT(B) SPEAKER (+)
14	BLUE	AMP REMOTE (+12VDC 100mA)
15	RED	+12VDC SWITCHED
16	BLACK	GROUND
17	N/A	N/A
18	N/A	N/A
19	N/A	N/A
20	N/A	N/A

WARNING: Wiring harness comes with stripped and tinned leads to aid in the installation process. Any unused speaker wires must have their exposed ends cut off or insulated individually.

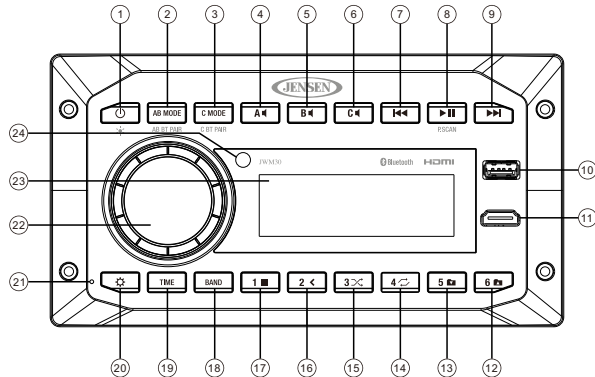


CONNECTIONS

The wiring diagram depicts all the wiring connections required for proper operation of the unit.



BASIC OPERATION



Power

Press the **POWER** button (1) turn the unit on. The unit will resume at the last mode (Tuner, Aux, etc.) after turn on.
Press and hold the **POWER** button (1) to enter standby mode.

Zones Volume Control

Press the **VOL/ENTER** button (22) to select the Zone AB or Zone C volume control.

Rotate the **VOL/ENTER** encoder knob control clockwise to increase or counter-clockwise to decrease the volume output for selected zone. The maximum volume setting is "40". While adjusting the volume, the LCD displays numerical representation of the level.

Audio Menu Setting

Press the **SETUP** button (20) to step through the following audio adjustment options.

Rotate the **VOL/ENTER** encoder knob control to adjust the selected audio feature.

- The following audio menu items can be adjusted:
- **BAS:** Adjust the Bass level from "-7" to "+7".
 - **TRE:** Adjust the treble from "-7" to "+7".

- **BAL:** Adjust the speaker output balance between "L7" (left) and "R7" (right). "BAL 0" indicates an equal balance between the left and right speakers.
- **LOUDNESS:** Toggle the loudness on/off. When listening to music at low volumes, this feature will boost the bass/treble range to compensate for the characteristics of human hearing.

This function will time out after five seconds of inactivity and the unit will resume normal operation.

Pause/Mute

Press the **||** button (8) to silence the audio output in tuner, BT, USB, HDMI In, TV AUDIO or Auxiliary Input mode. Press again to restore the previous volume level.

Liquid Crystal Display (LCD)

The liquid crystal display (LCD) panel (23) displays the frequency, time and activated functions.

Press the **POWER** button (1) to turn the dimmer On (selected brightness level) and press again to turn dimmer Off (maximum brightness level)

NOTE: When subjected to cold temperatures for an extended period of time, LCD panels will take longer to illuminate and the display visibility may slightly decrease. Optimal LCD operation will return to normal when the temperature increases to a normal range.

System menu setting

1. Press and hold the **SETUP** button (20) to enter the system menu.
2. Press **SETUP** button or press the **◀** or **▶** (7,9) to choose the following system menu list.
3. Once the desired menu item appears on the display, adjust that option by rotating the volume encoder knob clockwise or counter-clockwise within 5 seconds.
4. Press the **ENTER** knob button (4) to confirm your selection and exit system menu. The unit will automatically exit the system menu after 5 seconds of inactivity.

The following system menu items can be adjusted:

- **Bluetooth Device** (Locked/Unlocked, Disconnect/Connect, Delete): view, lock and delete from a list of previously paired mobile device models.
- **Bluetooth Pair:** Press "**ENTER**" knob to automatically pair a device.
NOTE: When active zone mode in Zone AB, the "BT1 DEV" or "BT1 PAIR" setting menu items are adjustable in setting menu. When Zone C selected to individual BT mode, and active zone in Zone C, the "BT2 DEV" or "BT2 PAIR" items are adjustable in setting menu.
- **DIM On/Off:** Turn the dimmer on (selected brightness level) or turn dimmer off (maximum brightness level).
- **LCD Brightness:** Adjust the brightness of the LCD backlight from "DIM 0" (off) to "DIM 8".

DESIGNED TO MOVE [You][®]

- Region (USA/Europe): Set frequency spacing for various regions.
- Preset Volume PVOL (1-40): Select an automatic turn on volume.
- RESET: Press **ENTER** knob button to reset the JWM30 to factory default settings.

Time Display

Press the **TIME** button (19) to alternate between playing time and clock time while in Tuner, USB, BT, HDMI In, TV Audio or auxiliary input mode.

Time Menu Setup

Press & Hold the **TIME** button (19) to access time menu settings. Press the **TIME** button (19) repeatedly to adjust the following time menu list: ALARM (ON/OFF), ALARM SET, SLEEP TIMER and CLOCK SET. Use the **◀** and **▶** buttons (7,9) to choose a value for each setting.

The following TIME menu items can be adjusted:

- **ALARM (ON/OFF)**: To turn the alarm function on or off.
- **ALARM SET**: The hour and minutes clock digit will flash. Press the **◀** button (7) to adjust hour or press the **▶** button (9) to adjust minute.
- **SLEEP TIMER**: Select the sleep time from 0 (OFF), 15, 30, 45 or 60 minutes. The sleep timer will automatically turn off the JWM30 in designated number of minutes.
- **TIME SET**: The hour and minutes clock digit will flash. Press the **◀** button (7) to adjust hour or press the **▶** button (9) to adjust minute.

USB Interface Connector

You can connect a USB device directly to USB interface (10) on the front of the JWM30 for playback of compatible files. Playback begins automatically. Press the **AB Mode** button (2) to switch to USB mode from another source. Refer to "MP3/USB Operation" on page 12 for additional operating instructions.

NOTE: USB will not support Apple device playback. The USB input supplies up to 1A of charging current.

Remote Sensor

Infrared receiver (24) is located on the upper left of front panel to receive infrared signal emitted by the remote control.

Speaker Output

The two speaker output buttons (4, 5, 6) (Zone A, Zone B, Zone C) control speaker zones output from the radio. Press any of the three buttons to turn the corresponding speaker zone on or off. SPK A (Zone A), SPK B (Zone B) and SPK C (Zone C) will appear on the display.

Reset

The reset button should be activated for the following reasons:

- Initial installation of the unit when all wiring is completed.
- Function buttons do not operate.
- Error symbol on the display.

Use a ball point pen or similar object to press the **RESET** button (21). This may be necessary should the unit display an error code.

HDMI ARC

Connect HDMI cable to JENSEN TV with ARC function and JWM30 radio head unit. If the set up and operation is correct, the TV audio will come out from the speaker of the head unit after switching to TV AUDIO mode.

HDMI IN

When a portable audio device is connected to the unit, press the **AB MODE** button (2) repeatedly to source to HDMI IN mode, the HDMI audio input will play over speaker and low level outputs. To connect a portable device with HDMI output ports, connect HDMI cable from your portable device into the HDMI IN interface (11) on the right hand side of the JWM30.

NOTE: Only support audio format of Dolby Digital PCM or Stereo.

HDMI Devices

Amazon Fire Stick streaming device:

<http://www.amazon.com>*

Roku HDMI streaming device:

<http://www.roku.com/products/compare>*

Warning: Using the front USB input for powering your HDMI streaming stick is not recommended. We suggest using a wall adapter power supply to power your HDMI streaming stick.

Notes:

***Web links can change over time; if the above links do not function go to your device manufacturer's or smartphone service provider's website for more information.**

**** These devices require connection to Wi-Fi or a hotspot in order to stream video content from providers such as Netflix, Hulu, Amazon Prime Video, Disney, etc.**

Caution: Streaming video can consume large amounts of data when a smartphone is used as a hotspot. Data rates may apply. See your mobile phone service provider for detail.

Multi-Source Setup

Press **C MODE** button (3) to change Zone C mode to 2nd Bluetooth source mode. Press **C MODE** button (3) again to switch Zone C mode same with Zone A/B source mode.



DESIGNED TO MOVE [YOU][®]

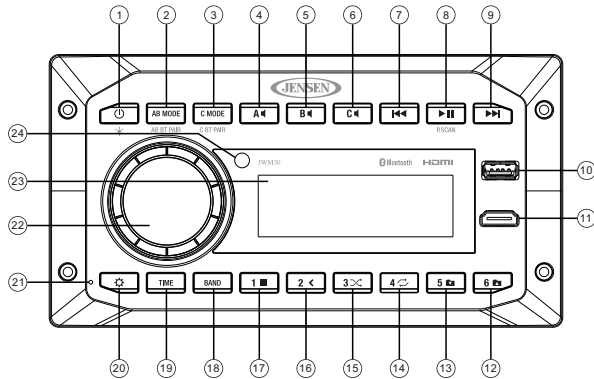
See the ARC function Operation in the following table:

No	Device Status		User Operation	Operation Results		Remarks
	Head Unit	TV		Head Unit	TV	
1	Power OFF (Last mode is TV AUDIO before Power OFF)	TV, AV, USB, HDMI (non-HDMI ARC)	Power ON Head Unit	Audio Out	No Audio Out	
2	Power ON (TV AUDIO)	TV, AV, USB, HDMI (non-HDMI ARC)	Power OFF Head Unit	No Audio Out	Audio Out	TV Speaker On
3	TV AUDIO Mode	TV, AV, USB, HDMI (non-HDMI ARC)	Switch Head unit to another mode (such as Radio, Bluetooth, USB, AUX or HDMI Input)	No TV Audio Out from Head unit speaker	Audio Out	TV Speaker On
4	While in any of Radio, Bluetooth, USB, or AUX Mode	TV, AV, USB, HDMI (non-HDMI ARC)	Switch Head unit to TV AUDIO mode	Audio Out	No Audio Out	
5	TV AUDIO Mode	TV, AV, USB, HDMI (non-HDMI ARC)	TV Audio Receiver OFF	No Audio Out	Audio Out	TV Speaker On
			TV Audio Receiver ON	Audio Out	No Audio Out	
6	TV AUDIO Mode	TV, AV, USB, HDMI (non-HDMI ARC)	TV CEC Mode OFF	No Audio Out	Audio Out	TV Speaker On
			TV CEC Mode ON Audio Receiver ON	Audio Out	No Audio Out	

Notes:

If the TV audio loss from the speaker of the head unit after switching to TV AUDIO mode, please try to power cycle of the head unit.

TUNER OPERATION



Select a Band

Press **BAND** button (18) repeatedly to change between two AM bands (AM1, AM2) and three FM bands (FM1, FM2 and FM3).

Manual Tuning

Press the **▶▶** or **◀◀** buttons (9, 7) to seek stations up/down step by step.

Auto Seek Tuning

Press and hold the **▶▶** or **◀◀** buttons (9, 7) to automatically seek the next or previous strong station.

Preset Stations

Six numbered preset buttons store and recall stations for each AM and FM band.

Store Preset Station

Select a band (if needed), then select a station. Press and hold a 1-6 preset button for 2 seconds. The current station will be stored, and corresponding preset number will appear on the display.

Recall Preset Station

Select a band (if needed), Press a preset button momentarily, and the unit will tune to the corresponding stored station.

Automatically Store / Preset Scan (AS/PS)

Automatically Store

Select an AM or FM band. Press and hold the **▶▶** button (8) to access tuner menu list: **AUTO STORE & PRESET SCAN**. Press **▶▶** button (8) repeatedly until "AUTO STR" appears on the display. Press the **ENTER** knob (22) to begin the Auto Store function and the unit will automatically scan for and store 12 or 18 strongest station for all bands. To stop this function before the automatic storing is complete, press the Press **▶▶** or **◀◀** (9, 7).

NOTE: Only station detected with sufficient signal strength will be stored in the preset channel automatically.

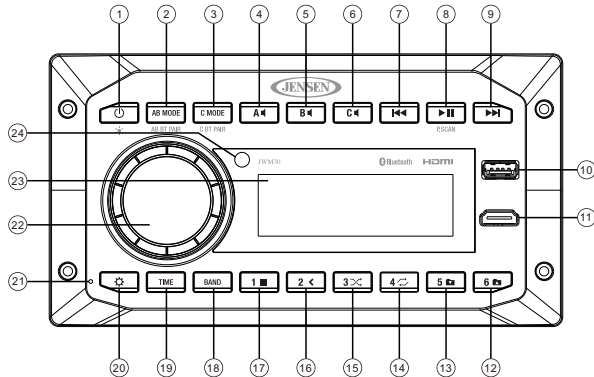
Preset Scan

Select an AM or FM band. Press and hold the **▶▶** button (8) to access tuner menu list: **AUTO STORE & PRESET SCAN**. Press **▶▶** button (8) repeatedly until "PRE SCAN" appears on the display. Press the **ENTER** knob (22) to scan stations stored in the current band, the unit will pause for 10 seconds at each preset station. Press the Press **▶▶** or **◀◀** (9, 7) to stop scanning when the desired station is reach.



DESIGNED TO MOVE [YOU]™

MP3/USB OPERATION



If the user connects a USB mass storage device, press the **AB MODE** button (2) to start USB playback. Changing modes or turning off the radio pauses playback. Playback will resume exactly where paused when returning to digital file playback mode.

Inserting a USB Device

The **USB connector** (10) is at the right side of the panel. Insert a USB device to automatically access USB mode and begin playback. The LCD will display "READING" and "USB" while files are initially loaded. When USB is removed, it will automatically back to the previous mode before the USB is connected. During other playback mode, when USB is connected, press **AB MODE** (12) repeatedly to enter USB playback mode directly.

NOTE: MP4 video format is not supported.

MP3 Specifications

Notes on MP3 Playback:

- Any directory that does not include a MP3 file is skipped
- Maximum number of folders: 512 (including skipped directories)
- Maximum number of folder levels: 12
- Maximum number of MP3 files: 999
- Maximum numbers of characters for MP3 file name and folder name: 32
- Maximum number of Characters of ID3 Tag:
 - ID3 Tag version 1.0: 32
 - ID3 Tag version 2.x: 32

Play/Pause

Press the **▶||** button (8) to suspend or resume media playback.

Track Select

Press the **◀◀** or **▶▶** buttons (7, 9) to select the next or previous track in the current folder. The selected track number will appear on the display.

Folder Up/Down

Press and hold the **6** button (12) to access a higher folder level (FOLDER UP). Press and hold the **5** button (13) to access a lower folder level (FOLDER DN).

Intro Scan

Press and hold the **1** button (17) during playback to play the first 10 seconds of each track. Press **1** button (17) again to end the scan and play the selected track.

Repeat

Press the **4** button (14) on the control panel multiple times during playback to select from the following repeat play options: RPT ONE, RPT OFF, RPT ALL and RPT FOLD.

Random

Press the **3** button (15) on the control panel during playback to play all files in random, shuffled order. Press **3** button (15) again to stop random play.

Fast Forward/Reverse

Press and hold the **◀◀** or **▶▶** buttons (7, 9) to fast forward or fast reverse.



DESIGNED TO MOVE [You][®]

BLUETOOTH OPERATION

The JWM30 includes built-in Bluetooth technology that allows you to connect this head unit to Bluetooth devices for streaming audio playback.

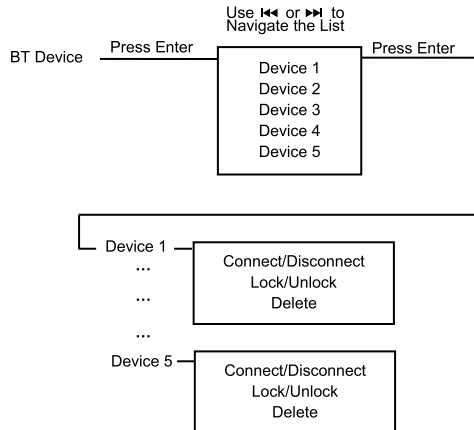
About Bluetooth Technology

Bluetooth wireless technology is a short-range wireless radio protocol. Operating in the 2.4 GHz range, it transmits audio and data at speeds up to 2.1 Mbit/s over a range of up to 10 meters.

Bluetooth Menu Options

NOTE: Please note that some Bluetooth menu options are only available while the unit is in Bluetooth Audio mode.

Press and Hold the **SETTINGS** button (20) to enter menu adjustment mode. The following additional menu options are available when the unit is in Bluetooth mode.



Bluetooth Pair: Press and hold the **AB BT PAIR** button (2) or **C BT PAIR** button (3) for 3 seconds to make pairing available for 120 seconds then start pairing with a Bluetooth enabled device.

Bluetooth Device: Press the **ENTER** button to view a list of previously paired mobile devices models. Press the **Left** or **Right** buttons to view devices from the list. You cannot delete a device that is actively connected. Press the **ENTER** button to select the device. Press the **Left** or **Right** button to choose Lock/Unlock,

- **CONNECT/DISCONNECT:** To disconnect a paired device, press the **ENTER** knob button (22) to temporarily remove the BT link. The link can be re-established through your phone menu by selecting the **JWM30 ZONE AB** or **JWM30 ZONE C** for connection.
- **LOCKED/UNLOCKED:** The JWM30 can store up to 5 devices for BT connection in Zone AB or Zone C BT function. The devices are stored in FIFO (First In First Out) order. To prevent a device from being bumped from the list when more than 5 devices are used, you must lock the device. To Lock/Unlock a device, press the **ENTER** button.
- **DELETE:** To delete a device from the list, Press the **ENTER** button.

Pairing a Bluetooth Device

Before you begin, consult the owner's manual for the Bluetooth device you want to pair with the JWM30. Make sure the device you intend to pair with is on and ready to pair.

Press & Hold **AB BT PAIR** button (2) or **C BT PAIR** to start Bluetooth pairing process. The JWM30 will display "PAIRING" and will be available to pair for 120 seconds. In your device Bluetooth settings, select "JWM30 Zone AB" or "JWM30 Zone C" to connect.

Answering a Call

When answering a call using the connected phone, BT AUDIO will pause. After hanging up from the call, BT AUDIO will automatically resume on some phones. It may be necessary to press the play button to resume BT AUDIO.

Bluetooth Audio (A2DP)

The A2DP music is available for Bluetooth enabled phones when the phone is connected. To access Bluetooth mode and play songs stored in your phone, press the **AB MODE** button (2) repeatedly to enter Zone AB Bluetooth mode or press the **C MODE** button (3) to enter Zone C Bluetooth mode.

Selecting Tracks

During playback, press the **Left** or **Right** button (9, 7) to play the previous or next track.

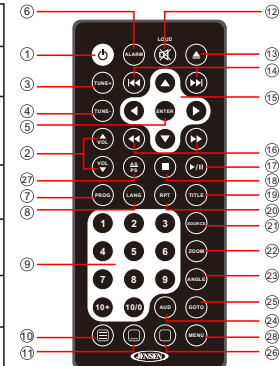
Pausing Playback

During playback, press **Pause** button (8) to pause the active zone of Bluetooth audio playback. "PAUSE" will appear on the LCD. Press **Play** button (8) again to resume playback. If you change to another mode, playback will automatically pause. Press the **AB MODE** button (2) or **C MODE** button (3) to return to corresponding Bluetooth mode and resume audio playback from your Bluetooth enabled device.

NOTE: If a Bluetooth device is disconnected due to the power being turned off or if the device goes out of range, the unit will automatically search for the matching Bluetooth mobile device when the power is restored.

REMOTE CONTROL OPERATION

REF	BUTTONS	TUNER	BLUETOOTH	MP3/USB	AUX IN/HDMI IN/TV AUDIO	SETTING MENU
1	Power	Turn radio on/standby mode.	Turn radio on/standby mode.	Turn radio on/standby mode.	Turn radio on/standby mode.	Turn radio on/standby mode.
2	VOL +/-	Turn volume up/down. Hold to turn volume up/down rapidly.	Turn volume up/down. Hold to turn volume up/down rapidly.	Turn volume up/down. Hold to turn volume up/down rapidly.	Turn volume up/down. Hold to turn volume up/down rapidly.	Turn volume up/down. Hold to turn volume up/down rapidly.
3	TUNE +	Tune to higher station Hold to auto seek next station	NA	NA	NA	NA
4	TUNE -	Tune to lower station Hold to auto seek previous station	NA	NA	NA	NA
5	ENTER	Switch active zone volume control.	Switch active zone volume control.	Switch active zone volume control.	Switch active zone volume control.	Confirm menu selection and exit menu.
6	ALARM	Turn the alarm feature on/off.	Turn the alarm feature on/off.	Turn the alarm feature on/off.	Turn the alarm feature on/off.	Turn the alarm feature on/off.
7	PROG	Hold to Zone AB BT pairing mode.	Hold to Zone AB BT pairing mode.	Hold to Zone AB BT pairing mode.	Hold to Zone AB BT pairing mode.	Hold to Zone AB BT pairing mode.
8	LANG	Hold to Zone C BT pairing mode.	Hold to Zone C BT pairing mode.	Hold to Zone C BT pairing mode.	Hold to Zone C BT pairing mode.	Hold to Zone C BT pairing mode.
9	Numeric Keyboard	Use 1-6 to access preset stations.	NA	NA	NA	NA
10	Setup	Time Setup Menu	Time Setup Menu	Time Setup Menu	Time Setup Menu	Time Setup Menu
11	Subtitle	Press to toggle Dimmer ON/OFF Hold to setting dim level from 1 - 8.	Press to toggle Dimmer ON/OFF Hold to setting dim level from 1 - 8.	Press to toggle Dimmer ON/OFF Hold to setting dim level from 1 - 8.	Press to toggle Dimmer ON/OFF Hold to setting dim level from 1 - 8.	Press to toggle Dimmer ON/OFF Hold to setting dim level from 1 - 8.
12	Mute/LOUD	Silence Audio output. Hold to turn LOUDNESS feature on/off.	Silence Audio output. Hold to turn LOUDNESS feature on/off.	Silence Audio output. Hold to turn LOUDNESS feature on/off.	Silence Audio output. Hold to turn LOUDNESS feature on/off.	Silence Audio output. Hold to turn LOUDNESS feature on/off.
13	Eject	NA	NA	NA	NA	NA
14	Previous/Next	Tune to higher/lower station	Select next/previous track.	Select next/previous track.	NA	NA





DESIGNED TO MOVE [You][®]

REF	BUTTONS	TUNER	BLUETOOTH	MP3/USB	AUX IN/HDMI IN/TV AUDIO	SETTING MENU
15	Directional Buttons	Switch band	NA	NA	NA	Left/Right to navigate menu items, Up/Down to adjust parameter
16	Fast Reverse/Forward	NA	Fast Forward/Fast Reverse	Fast Forward/Fast Reverse	NA	NA
17	Play/Pause	Silence Audio output (Mute)	Pause/resume playback.	Pause/resume playback.	Silence Audio output (Mute)	Silence Audio output (Mute)
18	Stop	NA	NA	Stop playback.	NA	NA
19	TITLE	NA	NA	NA	NA	NA
20	RPT	NA	NA	Repeat 1 > Repeat DIR > Repeat All > Repeat Off	NA	NA
21	SOURCE	Select source for playback.	Select source for playback.	Select source for playback.	Select source for playback.	Select source for playback.
22	ZOOM	NA	NA	NA	NA	NA
23	ANGLE	NA	NA	NA	NA	NA
24	AUD	Access Audio Menu options.	Access Audio Menu options.	Access Audio Menu options.	Access Audio Menu options.	Access Audio Menu options.
25	GOTO	Switch Zone C source mode.	Switch Zone C source mode.	Switch Zone C source mode.	Switch Zone C source mode.	Switch Zone C source mode.
26	Display	Toggle time view or display current playback information on the screen	Toggle time view or display current playback information on the screen	Toggle time view or display current playback information on the screen	Toggle time view or display current playback information on the screen	Toggle time view or display current playback information on the screen
27	AS/PS	Browse preset stations (10 sec. interval). Hold to scan/store stations.	NA	NA	NA	NA
28	MENU	Access system MENU.	Access system MENU.	Access system MENU.	Access system MENU.	Access system MENU.



DESIGNED TO MOVE [YOU][®]

CARE AND MAINTENANCE

- Keep the product dry. If it does get wet, wipe it dry immediately. Liquids might contain minerals that can corrode the electronic circuits.
- Keep the product away from dust and dirt, which can cause premature wear of parts.
- Handle the product gently and carefully. Dropping it can damage circuit boards and cases, and can cause the product to work improperly.
- Wipe the product with a dampened cloth occasionally to keep it looking new. Do not use harsh chemicals, cleaning solvents, or strong detergents to clean the product.
- Use and store the product only in normal temperature environments. High temperature can shorten the life of electronic devices, damage batteries, and distort or melt plastic parts.

Ignition

The most common source of noise in reception is the ignition system. This is a result of the radio being placed close to the ignition system (engine). This type of noise can be easily detected because it will vary in intensity of pitch with the speed of the engine.

Usually, the ignition noise can be suppressed considerably by using a radio suppression type high voltage ignition wire and suppressor resistor in the ignition system. (Most vessels employ this wire and resistor but it may be necessary to check them for correct operation.) Another method of suppression is the use of additional noise suppressors. These can be obtained from most CB/A radio or electronic supply shops.

Interference

Radio reception in a moving environment is very different from reception in a stationary environment (home). It is very important to understand the difference. AM reception will deteriorate when passing under a bridge or when passing under high voltage lines. Although AM is subject to environmental noise, it has the ability to receive at great distance. This is because broadcasting signals follow the curvature of the earth and are reflected back by the upper atmosphere.

TROUBLESHOOTING

Symptom	Solution
Radio will not turn ON or No front panel operation	Try the reset button.
	Check fuse.
	Check 12V+ on accessory wire to radio (RED wire)
	Check Ground.
Radio turns ON, but no sound	Verify Volume, Fader/Balance, Mute controls are set correctly (see owner's manual).
	Try the reset button.
	Verify proper speaker selection.
	Verify proper speaker connections.
	Check for shorts or open circuits on speaker wires. <ul style="list-style-type: none"> • If short on "A" channel, "B & C" channels will continue to function. • If short on "B and/or C" channels, "A" channel will continue to function.
Display is blank	Turn unit off and on to reset the display.
Bluetooth Device will not connect/pair	Make sure no devices are already connected. Disconnect any connected devices.
	On your smart device, turn the Bluetooth off and on and try again.
No AM or FM reception	Verify you are tuned to a valid station.
	Check your antenna connection on rear of stereo.
	Try a different antenna.
	Try the reset button.
No picture from HDMI input pass thru	Make sure the HDMI cable is routed from the HDMI output to the input on the television.
Unit does not respond to Remote Control	Verify that you have a clear line of sight for the IR signal.
	Check the Remote Control batteries.
Loss middle channel audio (dialogue audio) from HDMI-IN	Made sure audio format is set to Dolby Digital, PCB or Stereo.
	Try the reset button.



DESIGNED TO MOVE [YOU]™

SPECIFICATIONS

FM Tuner

Frequency Coverage (USA)	87.5 to 107.9 MHz
Frequency Coverage (Europe)	87.5 to 108 MHz
Sensitivity	<4 μV
Stereo Separation@1 kHz	>25 dB

AM Tuner

Frequency Range (USA)	530-1710 kHz
Frequency Range (Europe)	522-1620 kHz
Sensitivity (S/N=20dB)	<63 μV

Amplifier

Output Power6W x 6
Output Impedance	Compatible with 4-8 Ω ohms speakers, 4 ohm load minimum

DVD

Frequency Response	20-20,000 Hz
Channel Separation	50 dB
S/N Ratio	65 dB
Distortion	0.5%

General

Power Supply Requirements	DC 12 Volts, Negative Ground
Operating Voltage	10-16 VDC
Overall Dimensions	208.0mm (W) x 110.0mm (D) x 130.0mm (H)
.....	8.19" (W) x 4.33" (D) x 5.12" (H)
Mounting Dimensions	180mm (W) x 133mm (D) x 86mm (H)
.....	7.09" (W) x 5.24" (D) x 3.39" (H)
Weight	0.61 KG
.....	1.32 lbs

FCC Notes

NOTE: This equipment has been tested and found to comply with the limits for a Class B digital device, pursuant to Part 15 of the FCC Rules. These limits are designed to provide reasonable protection against harmful interference in a residential installation. This equipment generates uses and can radiate radio frequency energy and, if not installed and used in accordance with the instructions, may cause harmful interference to radio communications. However, there is no guarantee that interference will not occur in a particular installation. If this equipment does cause harmful interference to radio or television reception, which can be determined by turning the equipment off and on, the user is encouraged to try to correct the interference by one or more of the following measures:

- Reorient or relocate the receiving antenna.
- Increase the separation between the equipment and receiver.
- Connect the equipment into an outlet on a circuit different from that to which the receiver is connected.
- Consult the dealer or an experienced radio/TV technician for help.

WARNING: Changes or modifications not expressly approved by the party responsible for compliance could void the user's authority to operate the equipment. This equipment complied with FCC radiation exposure limits set forth for an uncontrolled environment. This equipment should be installed and operated with minimum distance 20cm between the radiator & your body.

NOTE: The manufacturer is not responsible for any radio or TV interference caused by unauthorized modifications to this equipment. Such modifications could void the user's authority to operate the equipment.



2602 Marina Drive • Elkhart, IN 46514
www.asaelectronics.com