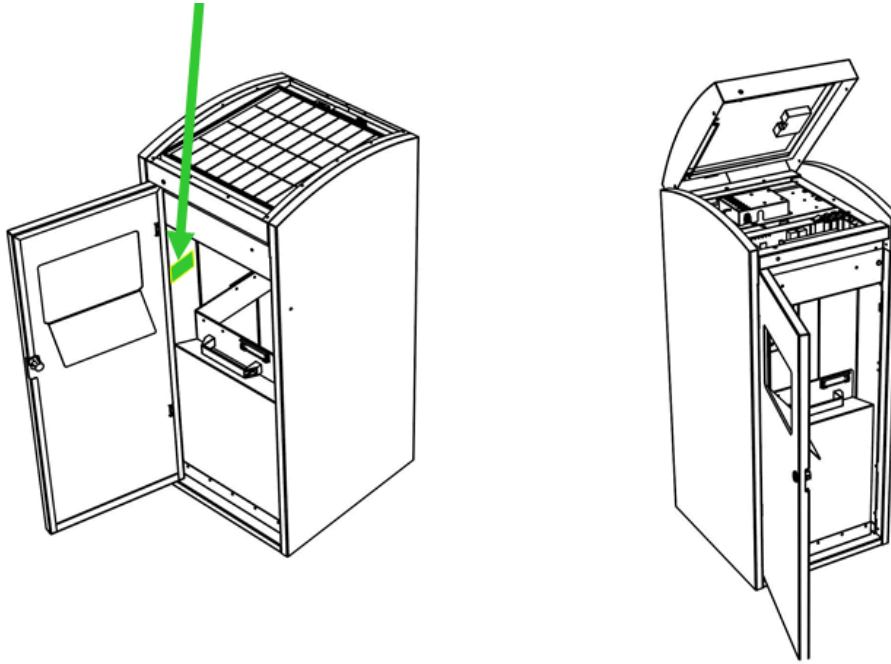


## 1. Label Position \*\*100L, 120L, 240L Same location for all models



## 2. Label Detail Label Size: 88.9\*51.8mm

### 2.1 Label Common

# ECUBE LABS

Item: CleanCUBE **CE** **FC** FCC ID : 2AHTD-CCB2

Model: MODEL NAME

Weight : 115kg

P/N: PRODUCT CODE

Rated voltage : 12V

S/N: SERIAL NUMBER

Manufacturing Date: DATE Country of Origin : Korea

This device complies with part 15 of the FCC Rules. Operation is subject to the following two conditions: (1) This device may not cause harmful interference, and (2) this device must accept any interference received, including interference that may cause undesired operation.