

# Bluetooth to 0-10V Converter With Relay

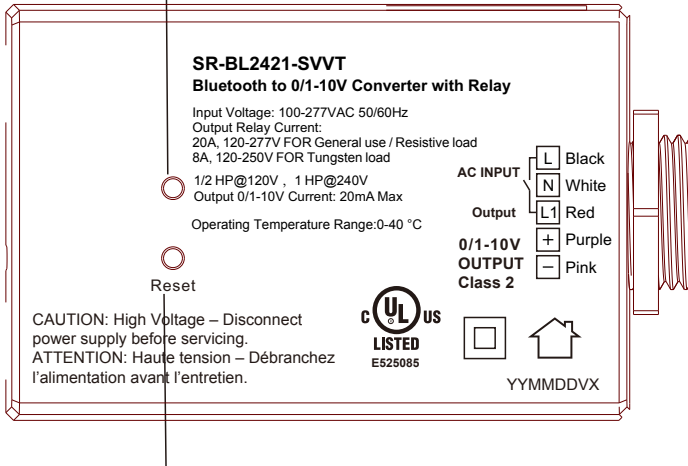
## Product Datasheet

Please read all instructions before installation



## Product info

LED indicator: When controller is added to the network, the indicator light flashes slowly



Reset Key: Press it to help withdraw the device from internet/APP  
 LED flashes quickly indicates success.

Note: 12AWG for power line; 22AWG for dimming(signal) line

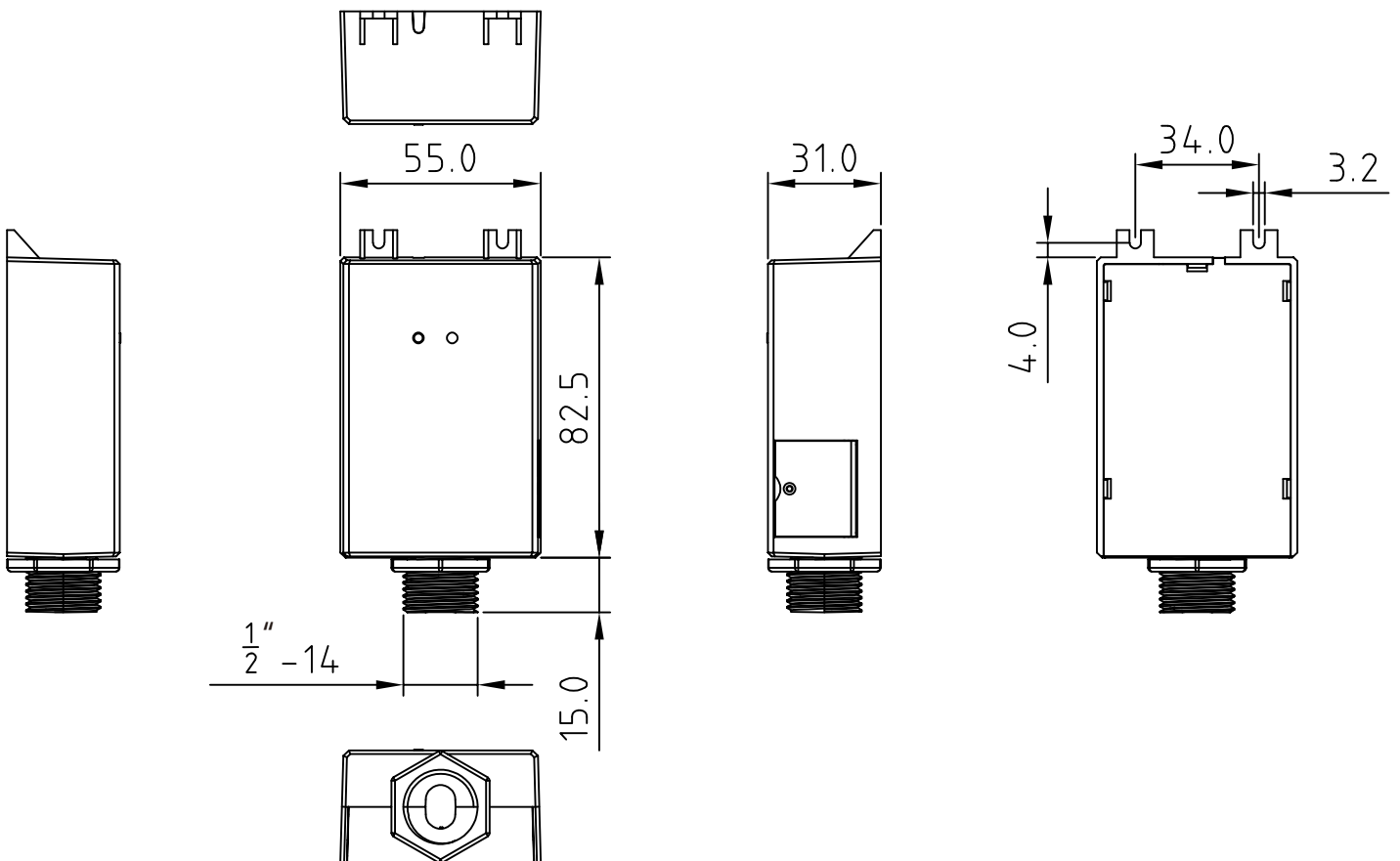
## Specification

Input	Durability	Output, 0/1-10V	Output, relay		Environment	Others
Power	cycles	Current	Current	Load Type	Relative humidity	Size
100-277VAC 50/60 Hz	15K minimum	Max. 20mA	20A, 120-277V	General use / Resistive	8% to 80%	82.5*55*31mm
			8A, 120-250V	Tungsten		
			1/2 HP, 120V	General use / Resistive		
			1 HP, 240V	Tungsten		

## Features

- Bluetooth to 0-10V signal converter, Bluetooth® mesh network
- Built-in 20mA 0-10V signal output , with 20A relay
- Mesh network, which has a much longer control distance, transmits received signals to neighboring devices
- All devices on 0-10V line are broadcast controlled by Silvair Commissioning tools
- Supporting Sunricher kinetic energy switches and EnOcean switches EWSSB and EWSDB
- In typical outdoor environment, the range for wireless communication is about 65meters . Actual range is dependent on field installation.
- UL listed. Category: PAZX (Management Equipment, Energy).
- IPEX antenna
- Waterproof grade: IP20
- 5 years warranty

## Dimension



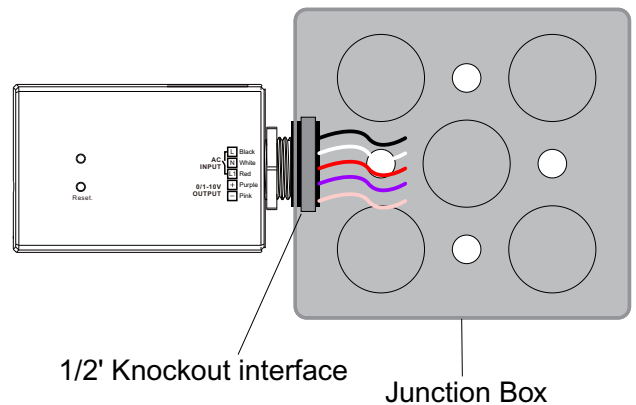
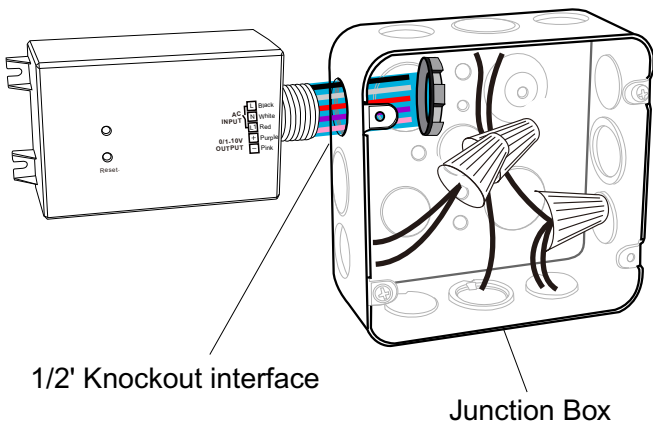
## Warning

- DO NOT install with power applied to device
- DO NOT expose the device to moisture
- Operating control;  
Type 1.B;  
Pollution degree: II;  
Rated impulse voltage: 4000V;  
Overcurrent protective device: 25A;  
"When being connected to 277Vac, the control should be connected to three-phase three-wire unearthened systems, and the rated impulse voltage is 4000V."

## Operation

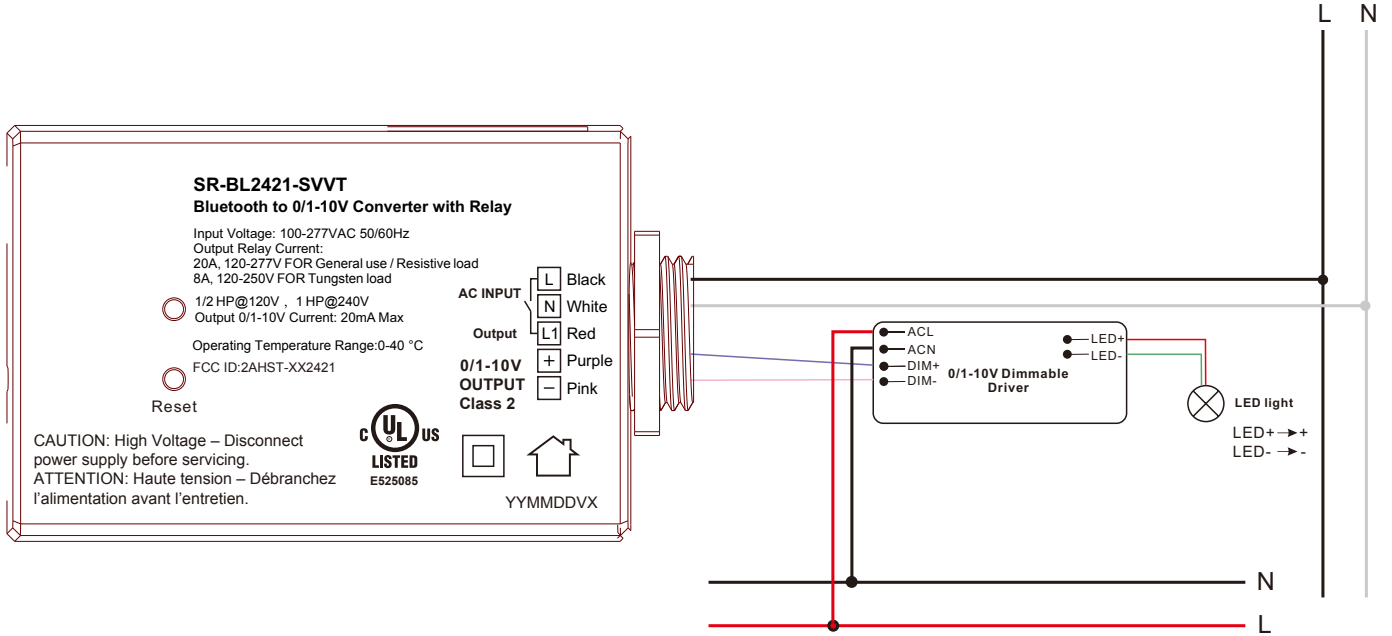
- Do wiring according to connection diagram
- Kindly refer to "**Silvair commissioning User Manual**" for further pairing
- Press and hold down the "**Reset**" button on the controller over 5 seconds until the indicator flashes , which means it has been reset.

## Installation

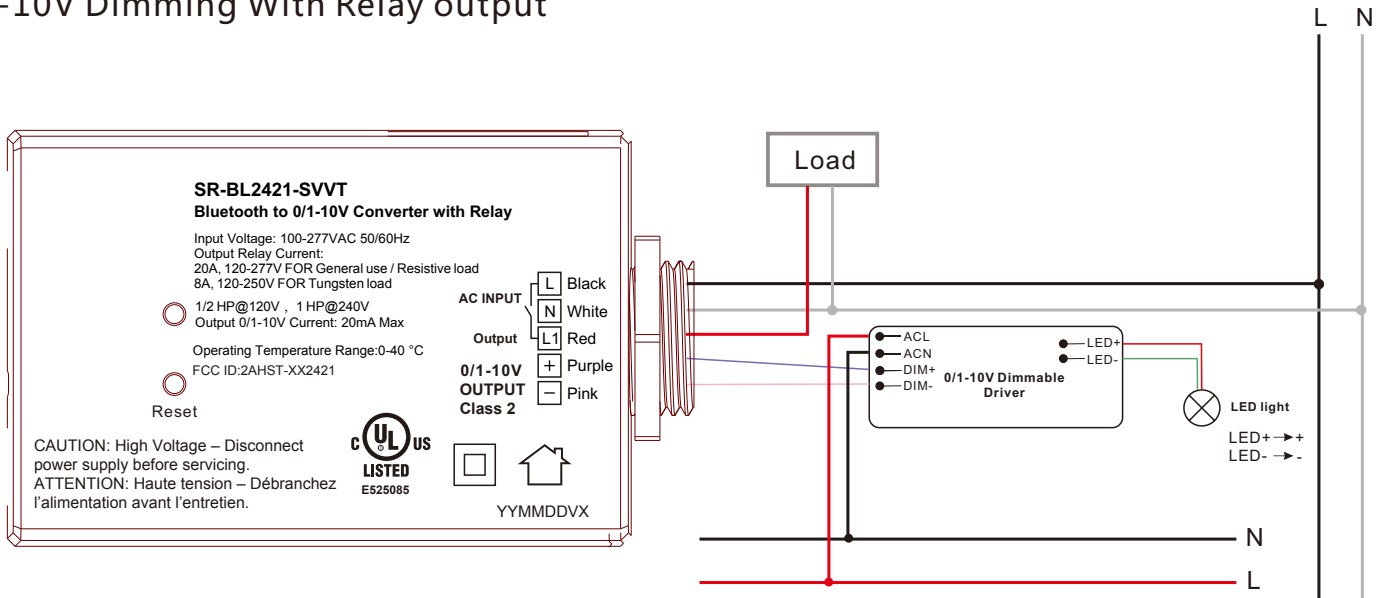


# Wiring

## 0-10V Dimming Without Relay



## 0-10V Dimming With Relay output



### Update log

Date	Version	Update content	Update by
2022-6-06	V1.2	Original version	Romeo

Subject to change without notice. Please contact us if you have any question.

## Statement

### FCC STATEMENT

This equipment has been tested and found to comply with the limits for a Class B digital device, pursuant to Part 15 of the FCC Rules. These limits are designed to provide reasonable protection against harmful interference in a residential installation. This equipment generates uses and can radiate radio frequency energy and, if not installed and used in accordance with the instructions, may cause harmful interference to radio communications. However, there is no guarantee that interference will not occur in a particular installation. If this equipment does cause harmful interference to radio or television reception, which can be determined by turning the equipment off and on, the user is encouraged to try to correct the interference by one or more of the following measures:

- Reorient or relocate the receiving antenna.
- Increase the separation between the equipment and receiver.
- Connect the equipment into an outlet on a circuit different from that to which the receiver is connected.
- Consult the dealer or an experienced radio/TV technician for help.

This device complies with part 15 of the FCC Rules. Operation is subject to the following two conditions:

(1) This device may not cause harmful interference, and (2) this device must accept any interference received, including interference that may cause undesired operation.

Changes or modifications not expressly approved by the party responsible for compliance could void the user's authority to operate the equipment.

The distance between user and products should be no less than 20cm.

### Update log

Date	Version	Update content	Update by
2022-9-08	V1.3	Original version	Romeo

Subject to change without notice. Please contact us if you have any question.