

# RF RGBW Controller

SR-2819T8 with SR-1009FA series



- 8 zones, long press can turn on/off each zone
- Press-button RGBW controller
- Receivers work with WIFI-RF convertor to be controlled by smart phone



## Parameter

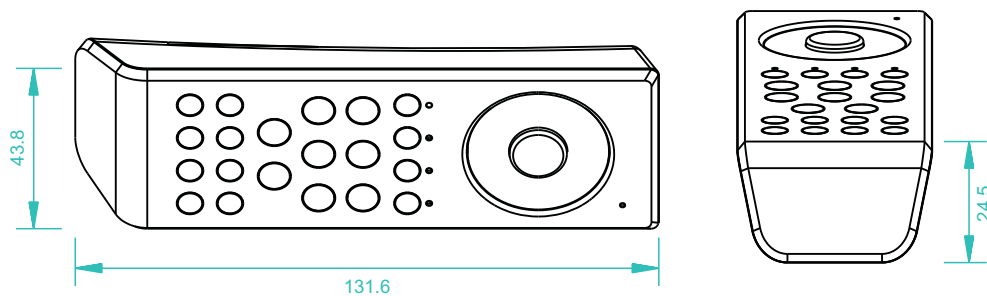
### Remote

Part No.	Operation Voltage	Operation Frequency	DIMENSIONS ø/h (mm)
SR-2819T8	4.5VDC	916.07MHz	43.8x131.6x24.5

### Receiver

Part No.	Input Voltage	Output Current	Output Power	Remarks
SR-1009FA	12-36VDC	4x5A	4x(60-180)W	Constant voltage
SR-1009EA	12-36VDC	4x8A	4x(96-288)W	Constant voltage
SR-1009FA3	12-36VDC	4x350mA	4x(4.2-12.6)W	Constant current
SR-1009FA7	12-36VDC	4x700mA	4x(8.4-25.2)W	Constant current

## Product Size



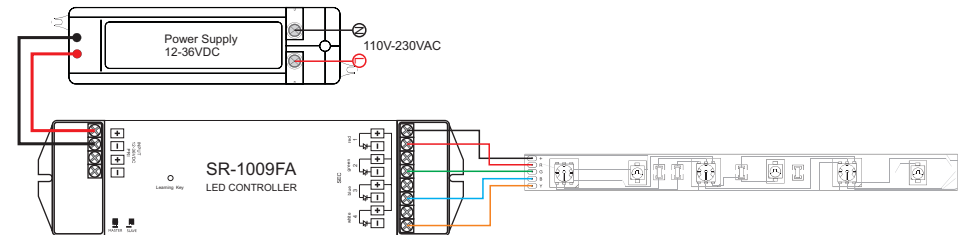
## Brief introduction of buttons



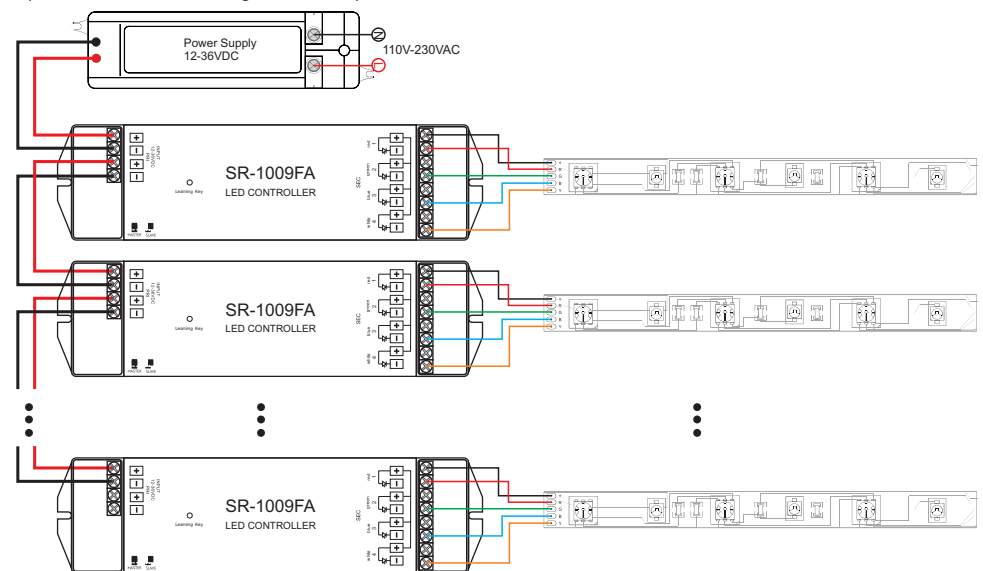
- Working status indicator, the sender is in dormant status when the indicator is off. The sender is under working when the indicator is flashing rapidly. If the indicator continues flashing at the frequency of 1 second, it indicates that the sender batteries low and needs to replace new batteries.
- Touch wheel for selecting R/G/B colors
- **R** **G** **B** **W** Short press: switch on/off each channel; Long press: dim up/down each channel  
**Note: If you press R, then press G, then it is mix color of R and G. If you want to get G color directly, please press R to switch off of R first. Then press G.**
- **S-** Speed down when color is changing      **S+** Speed up when color is changing
- **B-** Brightness down      **B+** Brightness up
- **U** Turn ON/OFF
- **P-** **P+** Build-in 10 Dynamic modes, P- is previous mode, P+ is next mode.
- **1** **2** **3** **4** are zone numbers, long press switch on/off each zone. Short press is to choose a zone. To synchronize several zones, short press 2 or more buttons one after another.

## Wiring diagram




### 1) Receiver Connection Diagram for Single Unit



### 2) Receiver Connection Diagram for Multiple Units



## Operation

1. Do wiring according to connection diagram and install battery into remote control.
2. How to learn&delete ID process?
  - a. Turn on the remote by .
  - b. Short press at Learning Key on receiver.
  - c. Press any zone button(which you desire to control) on remote, for example .
  - d. Then touch color wheel .
  - e. Connected LED light will blink to confirm zone designation.

How to reset to factory default: Long Press Learning Key on receiver for over 5 seconds until connected LED light flash off,  
to delete the learned ID, the receiver will be reset to factory default. If you want to learn receiver into another zone, please follow learning ID process operation 2.

## Safety & Warnings

- 1) The product shall be installed and serviced by a qualified person.
- 2) IP20. Please avoid the sun and rain. When installed outdoors, please ensure it is mounted in a water proof enclosure.
- 3) Always be sure to mount this unit in an area with proper ventilation to avoid overheating.
- 4) Please check if the output voltage of any LED power supplies used comply with the working voltage of the product.
- 5) Never connect any cables while power is on and always assure correct connections to avoid short circuits before switching on.
- 6) Please ensure that the cable is secured tightly in the connector
- 7) For update information please consult your supplier.

## Warranty Agreement

- 1) We provide lifelong technical assistance with this product:
  - 5-year warranty. We print date on every products, for example :1125 means year 2011, week 25. The warranty is for free repair or replacement and covers manufacturing faults only.
  - For faults beyond the 5-year warranty we reserve the right to charge for time and parts.
- 2) Limited Warranty
  - Any defects caused by wrong operation.
  - Any damages caused by unauthorized removal, maintenance, modifying, incorrect connection and replacement of chips.
  - Any damages due to transportation, vibration etc. after purchase.
  - Any damages caused by earthquake, fire, lightning, pollution and abnormal voltage.
  - Any damages caused by negligence, inappropriate storing at high temperatures and humidity or near harmful chemicals.
  - Product has been updated
- 3) Repair or replacement as provided under this warranty is the exclusive remedy to the customer.

## **FCC Warning:**

This equipment has been tested and found to comply with the limits for a Class B digital device, pursuant to part 15 of the FCC Rules. These limits are designed to provide reasonable protection against harmful interference in a residential installation. This equipment generates, uses and can radiate radio frequency energy and, if not installed and used in accordance with the instructions, may cause harmful interference to radio communications. However, there is no guarantee that interference will not occur in a particular installation. If this equipment does cause harmful interference to radio or television reception, which can be determined by turning the equipment off and on, the user is encouraged to try to correct the interference by one or more of the following measures:

- Reorient or relocate the receiving antenna.
- Increase the separation between the equipment and receiver.
- Connect the equipment into an outlet on a circuit different from that to which the receiver is connected.
- Consult the dealer or an experienced radio/TV technician for help.

Caution: Any changes or modifications to this device not explicitly approved by manufacturer could void your authority to operate this equipment.

This device complies with part 15 of the FCC Rules. Operation is subject to the following two conditions: (1) This device may not cause harmful interference, and (2) this device must accept any interference received, including interference that may cause undesired operation.