



SETUP PHOTOS EXHIBIT

Report Number. : R12761322-EP3

Applicant : Weber-Stephen Products LLC
1415 S Roselle Rd
Palatine, IL, 60067, US

Model : PULSE 2000

FCC ID : 2AHSR-CONNECT1

IC : 21267-CONNECT1

EUT Description : Smart grill with 2.4 WLAN and BLE radio

Test Standard(s) : FCC 47 CFR PART 15 SUBPART C
ISED RSS-247 ISSUE 2
ISED RSS-GEN ISSUE 5

Date Of Issue:
2020-07-30

Prepared by:
UL LLC
12 Laboratory Dr.
Research Triangle Park, NC 27709 U.S.A.
TEL: (919) 549-1400



NVLAP Lab code: 200246-0

REPORT REVISION HISTORY

Rev.	Issue Date	Revisions	Revised By
V1	2020-07-20	Initial Issue	Niklas Haydon
V2	2020-07-30	Added below 1GHz photos, updated I/O cables	Niklas Haydon

TABLE OF CONTENTS

REPORT REVISION HISTORY	2
TABLE OF CONTENTS	3
1. DESCRIPTION OF TEST SETUP.....	4
2. SETUP PHOTOS.....	5

1. DESCRIPTION OF TEST SETUP

SUPPORT EQUIPMENT

Description	Manufacturer	Model	Serial Number	FCC ID
Laptop	Lenovo	L470	PF0ZV674	NA
Laptop Charger	Lenovo	ADLX65NDC2A	11S36200282ZZ20053B8X2	NA
Meat Temperature Probes	Weber Stephen	SKU 7211	Non-serialized	NA

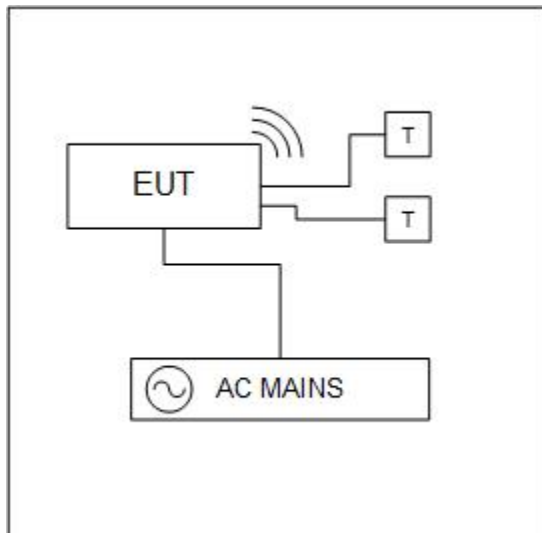
I/O CABLES

I/O Cable List						
Cable No.	Port	# of Identical Ports	Connector Type	Cable Type	Cable Length (m)	Remarks
1	Probe	1	Barrel	Probe	<3m	none

TEST SETUP

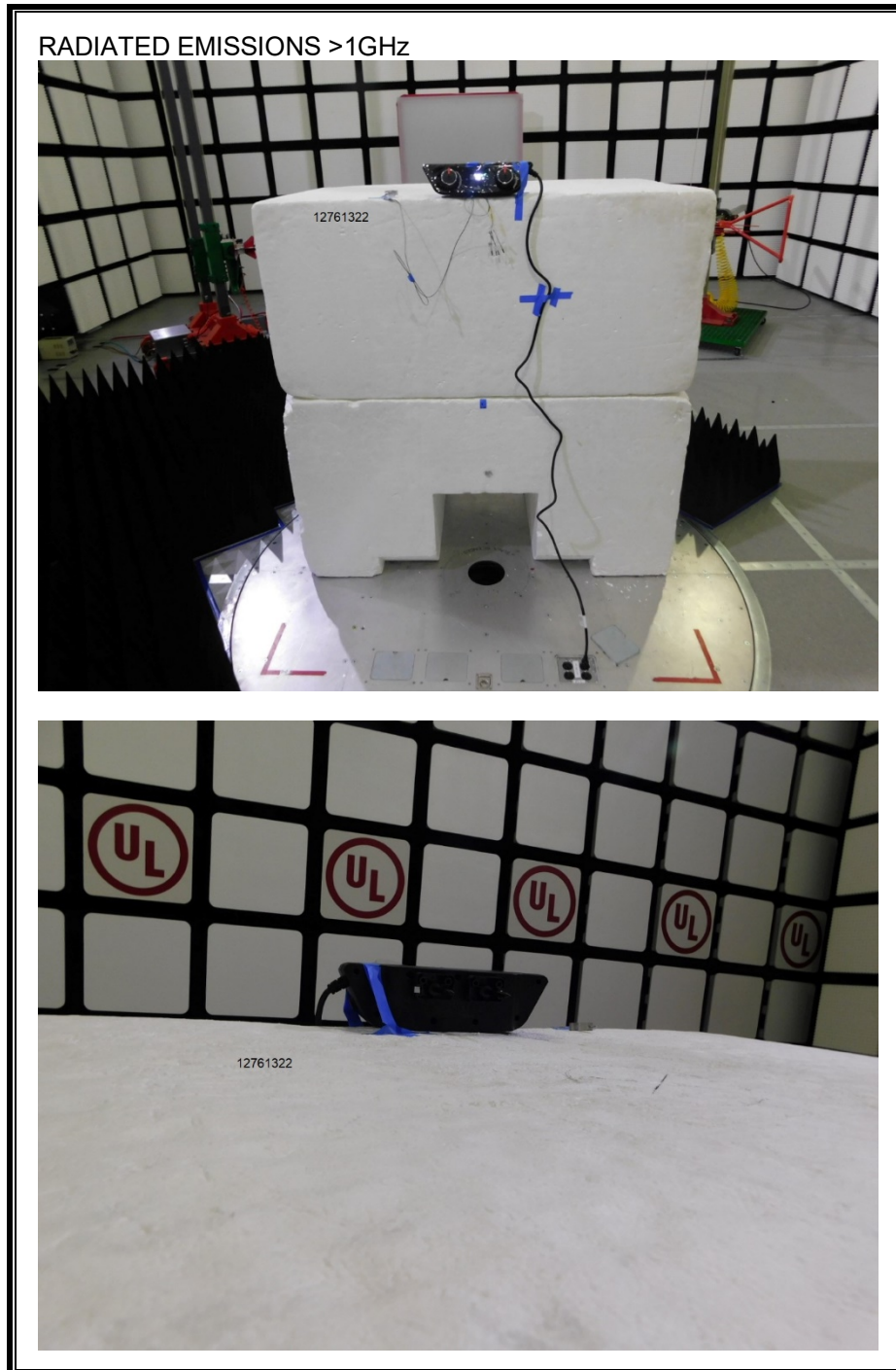
The EUT is connected to a test laptop that has software to exercise the radio card.

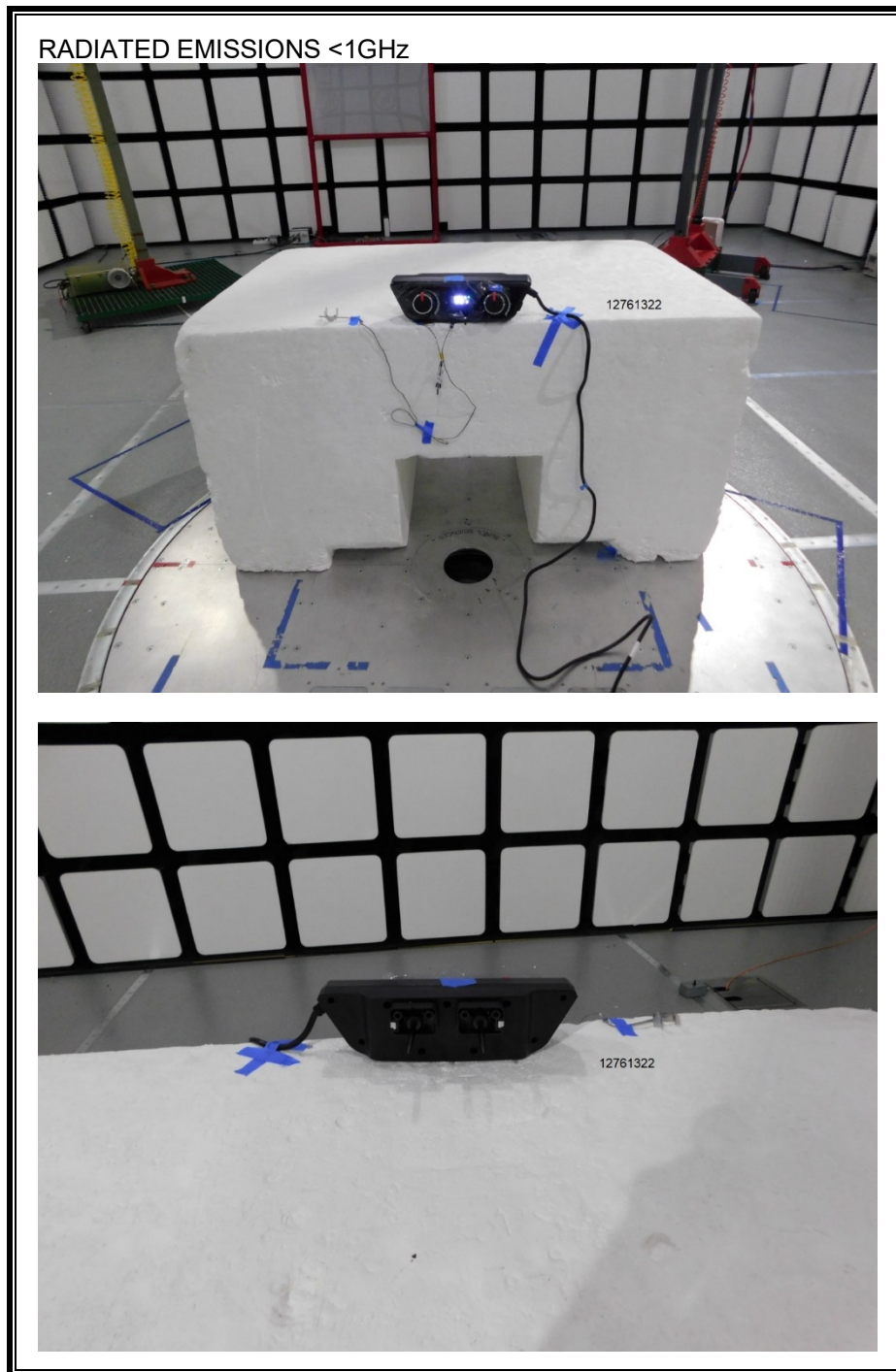
SETUP DIAGRAMS



2. SETUP PHOTOS

RADIATED EMISSIONS





AC MAINS LINE CONDUCTED EMISSION



END OF TEST REPORT