

**VOLUME ADJUSTMENT DIAL**

Twist the dial anticlockwise to decrease the volume and clockwise to increase the volume.

**MIC IN JACK**

Plug in microphone directly for playing.

**USB JACK**

Insert USB card directly for palying

**LINE IN JACK**

1. Connect an audio cable (not included) to the LINE IN JACK of the speaker and to the audio output socket on the external audio devices such as MP3 player, discman, etc,then select LINE by pressing the POWER/INPUT button on the front panel .
- 2.Play from an external audio device.

**FM FUNCTIONS**

- 1.Press POWER/INPUT to select FM radio
- 2.Press PLAY/PAUSE button on front panel for automatic searching and saving the radio stations.  
Press PREVIOUS/NEXT button to select a specific radio station.

**Bluetooth:**

Please press POWER/INPUT button on control panel to select Bluetooth mode. Simultaneously open the Bluetooth setting on your phone, tablet or any other bluetooth enabled audio device and select "RM-812L"(no need to match code),the unit and device will then connected via Bluetooth. Press the "next song" and "previous song" button on the control panel to select the song, press" play/pause" button to control the playing status.

**FCC Statement**

Changes or modifications not expressly approved by the party responsible for compliance could void the user's authority to operate the equipment. This equipment has been tested and found to comply with the limits for a Class B digital device, pursuant to Part 15 of the FCC Rules. These limits are designed to provide reasonable protection against harmful interference in a residential installation. This equipment generates uses and can radiate radio frequency energy and, if not installed and used in accordance with the instructions, may cause harmful interference to radio communications. However, there is no guarantee that interference will not occur in a particular installation. If this equipment does cause harmful interference to radio or television reception, which can be determined by turning the equipment off and on, the user is encouraged to try to correct the interference by one or more of the following measures:

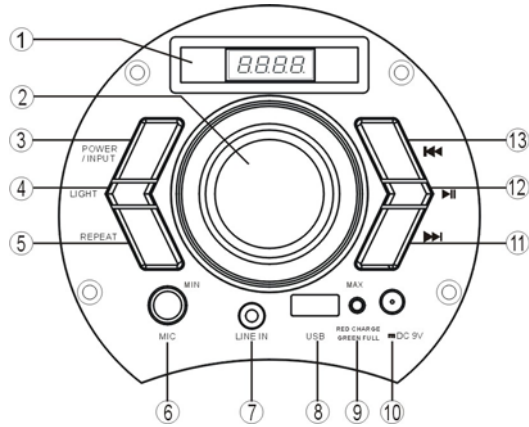
- Reorient or relocate the receiving antenna.
- Increase the separation between the equipment and receiver.
- Connect the equipment into an outlet on a circuit different from that to which the receiver is connected.
- Consult the dealer or an experienced radio/TV technician for help

This device complies with part 15 of the FCC rules. Operation is subject to the following two conditions (1)this device may not cause harmful interference, and (2) this device must accept any interference received, including interference that may cause undesired operation.



RM-812  
Portable Battery Speaker

## Control Panel Function



- 1.LED Display
- 2.Volume Adjustor
- 3.Power/Input (Hold for 3 seconds to switch on/off the unit and mode selection for Bluetooth,FM Radio,Line Input,USB)
- 4.Light (Light mode selection & switch on/off button)
- 5.Repeat
- 6.Mic Input
- 7.Line Input
- 8.USB Port
- 9.Charging Indicator  
RED=Charging  
GREEN= Full Charged
- 10.DC interface (9V)
- 11.Next track
- 12.Play/Pause (In FM mode,hold for 3 seconds the device will enter into automatic scan)
- 13.Previous track

## SPECIFICATIONS

Power Output:	10W
Frequency Response for main speaker:	50Hz-20KHz
Power Supply:	DC9V

## SAFETY MEASURES

### POWER SOURCE

- 1.Please charge the unit at least 4 hours before first time using.
- 2.Long press the POWER/INPUT button on the panel to switch on or off the speaker.

### CHARGE THE BATTERY

When the battery is charging, the CHARGE STATUS lights red. After the battery has fully charged, the light turns to be green.

- 1.Connect the AC adaptor to the DC IN JACK of the speaker firmly, and plug it into a wall outlet.
- 2.When the battery is fully charged, first disconnect the AC adaptor from the speaker,then from the wall outlet.
- 3.The speaker works normally when charging.

### POWER/INPUT BUTTON

Press POWER/INPUT button on the front panel to select the mode(LINE,USB,BT OR FM).

### REPEAT FUNCTION

- 1.During playing status,press REPEAT button on the front panel once to repeat playing the current track.To cancel the repeat option,press the REPEAT button again.
- 2.REPEAT function only available for USB card playing modes(not for Bluetooth/Line /FM).

### RECORDER FUNCTION

Recording: Insert USB card, plug in microphone, long press REPEAT button on the front panel, then the machine displays "rEC" to start recording, short press the REPEAT button to stop recording and play the recording automatically, press POWER/INPUT to return to USB card playing state.

Play the recording: Insert USB card, long press ►|| to play the recording file and press ◀◀ Or ▶▶ button to select recording file.

### PREVIOUS/NEXT BUTTON

By pressing PREVIOUS/NEXT button on the front panel ,you can select a specific song from the play list.

### PAUSE/PLAY BUTTON

To stop playing the current track,please press PAUSE/PLAY button on the front panel.

Press it once again to continue playing.