

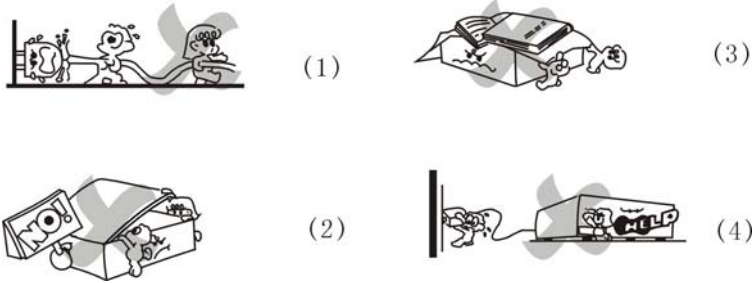
OPERATING INSTRUCTION



IK-806
PORTABLE BATTERY SPEAKER

SAFETY MEASURES

To ensure proper use of this product, please take the time to read this instruction manual carefully before use. Please observe all the instructions about safe operation and please keep this instruction manual in a safe place for future reference.

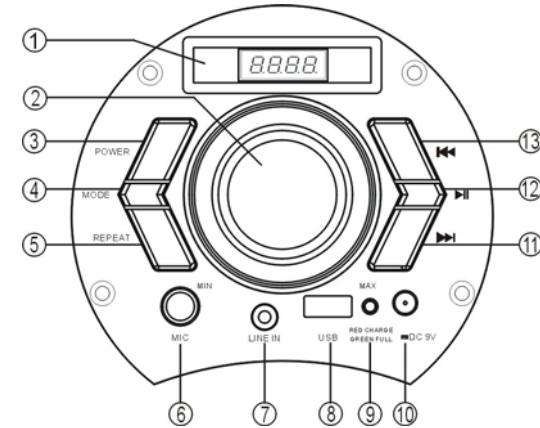


1. Protection of power supply wire: Do not place the cable in the path of foot traffic. Do not place heavy furniture on the cable. Never pull the cable to unplug the unit from the socket, always disconnect the unit from the main power supply by pulling the plug out of the socket.
2. Ventilation: In order to prevent this unit from overheating, place it in a well ventilated area on a stable surface. Never place it on a bed, sofa or carpet where the ventilation will be restricted.
3. Dismantling: In order to avoid the risk of electric shock, do not dismantle the unit. Should your unit be faulty or broken please refer servicing to an authorized service center.
4. Strange Odour: Should your unit emit any strange odour, immediately unplug it from the wall socket. Do not use the unit again until you have had it repaired by a qualified service center.
5. Do not expose this unit to liquid of any kind.

SPECIFICATIONS

Power Output:	10W
Frequency Response for main speaker:	50Hz-20KHz
Power Supply:	DC9V

Control Panel Function



1. LED Display
2. Volume Adjustor
3. Power On/Off (Hold for 3 seconds to switch on/off the unit)
4. Mode (Bluetooth, FM Radio, Line Input, USB)
5. Repeat
6. Mic Input
7. Line Input
8. USB Port
9. Charging Indicator
RED=Charging
GREEN= Full Charged
10. DC interface (9V)
11. Next track
12. Play/Pause (In FM mode, hold for 3 seconds the device will enter into automatic scan)
13. Previous track

Bluetooth:

Please press MODE button on control panel to select Bluetooth mode. Simultaneously open the Bluetooth setting on your phone, tablet or any other bluetooth enabled audio device and select "RM-806" (no need to match code), the unit and device will then be connected via Bluetooth. Press the "next song" and "previous song" button on the control panel to select the song, press "play/pause" button to control the playing status.

FCC Statement

Changes or modifications not expressly approved by the party responsible for compliance could void the user's authority to operate the equipment.

This equipment has been tested and found to comply with the limits for a Class B digital device, pursuant to Part 15 of the FCC Rules. These limits are designed to provide reasonable protection against harmful interference in a residential installation. This equipment generates uses and can radiate radio frequency energy and, if not installed and used in accordance with the instructions, may cause harmful interference to radio communications. However, there is no guarantee that interference will not occur in a particular installation. If this equipment does cause harmful interference to radio or television reception, which can be determined by turning the equipment off and on, the user is encouraged to try to correct the interference by one or more of the following measures:

- Reorient or relocate the receiving antenna.
- Increase the separation between the equipment and receiver.
- Connect the equipment into an outlet on a circuit different from that to which the receiver is connected.
- Consult the dealer or an experienced radio/TV technician for help

This device complies with part 15 of the FCC rules. Operation is subject to the following two conditions (1) this device may not cause harmful interference, and (2) this device must accept any interference received, including interference that may cause undesired operation.

This device has been evaluated to meet general RF exposure requirement. The device can be used in portable exposure condition without restriction.