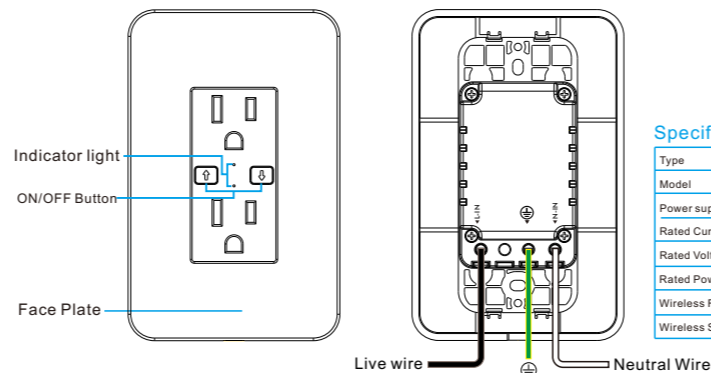


Smart Wall Socket User Manual

Product Description



Specifications

Type	Smart Wall Socket
Model	KS-804
Power supply mode	Neutral+Live Wire
Rated Current	15A(Max)
Rated Voltage	AC110-125V~50/60Hz
Rated Power	1500W(single) 2500W(total)
Wireless Frequency	2.4GHZ
Wireless Standard	IEEE802.11 b/g/n



Safety Notice :

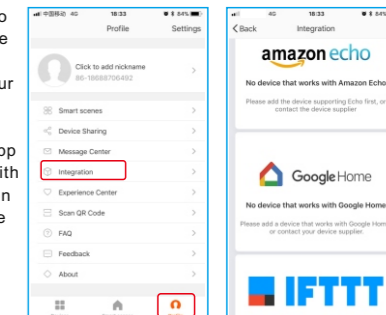
- Cut off the power before installation
- Please use it only when it's installed with RCD or current leakage protector at home

Version :TKS604180423V1.0

Product Features

- **VOICE CONTROL FOR YOUR CONVENIENCE:**
Perfectly Compatible with Amazon Alexa , Google Assistant for voice control and IFTTT.
- **REMOTE ACCESS:** Control devices connected to the Smart Switch wherever you have Internet using the free "Smart Life" app on your smartphone (Compatible w/ Android 4.1 or higher & iOS8 or higher). No hub or subscription required.
- **SAFETY SCHEDULE TIMER:** Take full control of your home or office lights thanks to the schedule timer that will allow you to plan the exact time lights and appliances are turned off. Save energy and money on bills by planning your electricity consumption every single day. What's more, it can protect your home, light will be turned on timely when not at home as desired.
- **No Hub Required:** Installation is easy, set up via the smart life app directly. Requires a neutral wire. Not recommended to use with a metal faceplate which may interfere with a Wi-Fi connection
- **Fashion Design:** With a modern decorator flat-style look and The standard-sized Smart Switch blends into any wall
- **Sharing is Caring:** Make everyone's life easier by giving access permission to other users via Smartlife app.
- **Overload protection:** works with FCC to provide high quality products for your home safety

Works With
Alexa and Google Assistant
and IFTTT



Internet Connection Steps

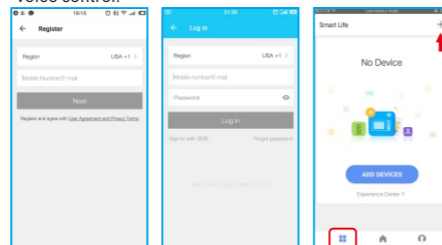
1.1 Download "Smart Life" APP



Please scan the QR Code, or search by "Smart life" for download on APP Store or Google Play

1.2 Register an account in Smart life App

- Open Smart life App, select "Register" to create an account. Select the right country code, enter your email or mobile number and then set password. You can also register through other communication Apps which are on the bottom of the page, such as Facebook.
- **Note:**
(1) If you register by email, you will not receive a verification code. Simply enter your password to log in.
(2) If you register by phone number, you will get a verification code before setting password.
(3) It is recommended to register by email or mobile number if you need to use Amazon Alexa and Google Home for voice control.



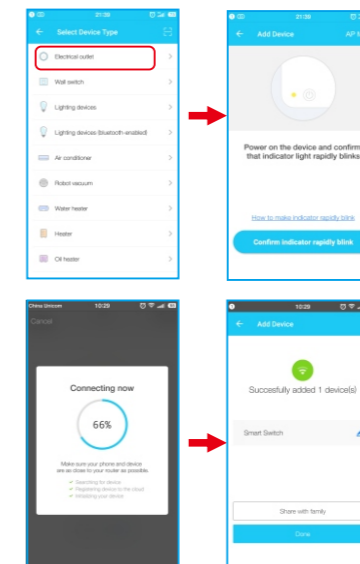
1.3 Add Device

Preparation:

- Confirm the device is energized.
 - Confirm the device, smartphone and router are as close to each other.
 - Confirm the phone has connected to Wi-Fi router and been able to connect to internet.
- Important: Only for 2.4G wifi router, not suitable for 5G wifi router.

Pairing steps:

- Open your app, tap the icon "+" on the top right corner of "Devices" page, select "Electrical outlet".
 - Long press anyone ON/OFF button of your device for 5 seconds until indicator light quickly flashes, then tap "confirm indicator rapidly blink".
- Important: There is no Internet connected while the green light flashing slowly.
- Choose the Wi-Fi and enter the correct password, then tap "confirm".
- note:
- (1) Confirm your Wi-Fi name only contains letters and numbers.
 - (2) If your router does not have a wifi password, please click "Confirm" directly and no need to enter password.
- After configuring successfully, you can modify device's name and hit "Done".



FCC NOTE :
This device complies with Part 15 of the FCC Rules. Operation is subject to the following two conditions:
(1) this device may not cause harmful interference,
(2) this device must accept any interference received, including interference that may cause undesired operation.

The manufacturer is not responsible for any radio or tv interference caused by unauthorized modifications or change to this equipment. Such modifications or change could void the user's authority to operate the equipment.

This equipment has been tested and found to comply with the limits for a Class B digital device, pursuant to part 15 of the FCC Rules. These limits are designed to provide reasonable protection against harmful interference in a residential installation. This equipment generates, uses and can radiate radio frequency energy and, if not installed and used in accordance with the instructions, may cause harmful interference to radio communications. However, there is no guarantee that interference will not occur in a particular installation. If this equipment does cause harmful interference to radio or television reception, which can be determined by turning the equipment off and on, the user is encouraged to try to correct the interference by one or more of the following measures:

- Reorient or relocate the receiving antenna.
- Increase the separation between the equipment and receiver.
- Connect the equipment into an outlet on a circuit different from that to which the receiver is connected.
- Consult the dealer or an experienced radio/TV technician for help.

RF warning statement:
To maintain compliance with FCC's RF exposure guidelines, this equipment should be installed and operated with a minimum distance of 20cm between the radiator and your body.