



remote controlled SPIN DRIFTER 360° RC STUNT VEHICLE

BATTERY INSTALLATION

The car requires 6 "AA" 1.5V batteries (not included). The controller requires one 9V battery (not included). When changing batteries, adult supervision is required. Use alkaline batteries for the best performance.

- Carefully remove items from the package.
- Locate the battery door on the bottom of the car.
- Pull the latch on the door to the left and lift up to access the battery compartment. Insert 6 "AA" batteries while observing the correct polarity (Fig.2).
- Replace the battery compartment door.
- Slide the battery door on the back of the controller down to open.
- Insert one 9V battery while observing the correct polarity (Fig.3).
- Replace the battery compartment door.
- Switch both the car and controller power switches to the "ON" position.

SAFETY PRECAUTIONS

- Do not operate during thunderstorms or rain.
- Avoid water, sand and snow when operating your car.
- Do not submerge car or controller in water.
- Never operate your car on the street or highway.
- Adult supervision is recommended when operating this car.
- Remove all batteries when not in use to avoid accidental operation.
- Never operate your car in a confined or crowded area, and do not use people or animals as obstacles.
- Do not run your car into furniture, objects or hard surfaces, as this will cause damage to both the objects and the car.
- Keep fingers, hair and loose clothing away from the tires, gears and motor while the car is switched to "ON".
- Do not leave car or controller near sources of heat or under direct sunlight for long periods of time.
- Do not leave car or controller outside overnight. Dampness is harmful to interior components.

BATTERY WARNING:

- Do not mix old and new batteries.
- Do not recharge sealed (carbon-zinc), or rechargeable batteries.
- Insert batteries using the correct polarity. Do not short-circuit the supply terminal.
- Remove batteries when not in use. Recharge or dispose of batteries according to federal, state, and local laws. Do not dispose of batteries in a fire - they may leak or explode.
- Call your local municipal solid waste, chemical, or other agency if applicable, or contact the manufacturer.
- Always use, replace, and recharge of applicable batteries under adult supervision.

KEEP THIS PACKAGE FOR REFERENCE AS IT CONTAINS IMPORTANT INFORMATION.

WARNING: Changes or modifications not expressly approved by the party responsible for compliance could void the user's authority to operate the equipment.

FCC This device complies with Part 15 of the FCC Rules. Operation is subject to the following two conditions: (1) This device may not cause harmful interference, and (2) This device must accept any interference received, including interference that may cause undesired operation.

Note: This equipment has been tested and found to comply with the limits for a Class B digital device, pursuant to part 15 of the FCC Rules. These limits are designed to provide reasonable protection against harmful interference in a residential installation. This equipment generates, uses and can radiate radio frequency energy and, if not installed and used in accordance with the instructions, may cause harmful interference to radio communications.

However, there is no guarantee that interference will not occur in a particular installation. If this equipment does cause harmful interference to radio or television reception, which can be determined by turning the equipment off and on, the user is encouraged to try to correct the interference by one or more of the following measures:

- Reorient or relocate the receiving antenna.
- Increase the separation between the equipment and receiver.
- Connect the equipment into an outlet on a circuit different from that to which the receiver is connected.
- Consult the dealer or an experienced radio/TV technician for help.

©2017 MerchSource, LLC. Blue Hat Toy Company, Blue Hat Toy Company logos are trademarks of MerchSource, LLC. All rights reserved. Distributed by MerchSource, LLC, Irvine, CA 92618.

Patent Pending

For technical support, please visit www.merchsource.com or call 1-800-374-2744.

The artwork and design of this package are protected by US copyright law and may not be reproduced, distributed, displayed, published or used for any purpose without prior written permission. It is not permitted to alter, remove or reproduce any trademarks or copyright notice from this package.



Made in China

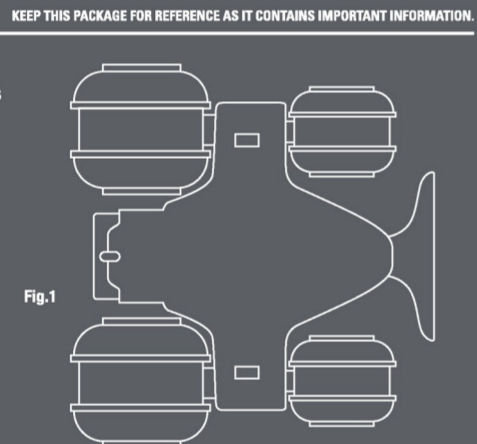


Fig.1

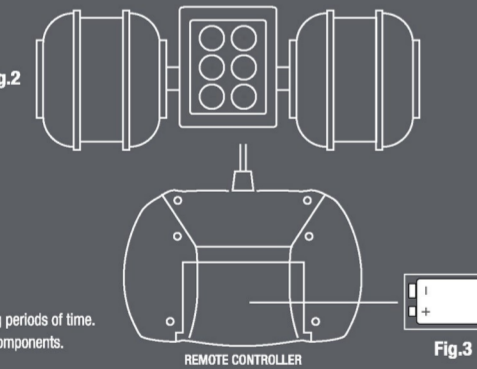


Fig.2

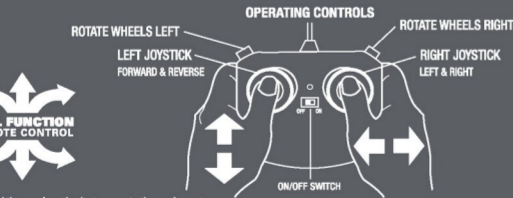
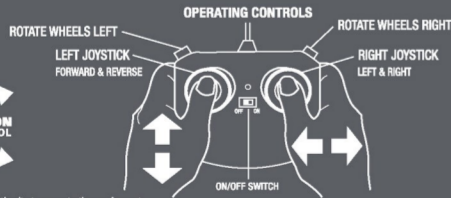


Fig.3



radio controlled SPIN DRIFTER 360° STUNT VEHICLE



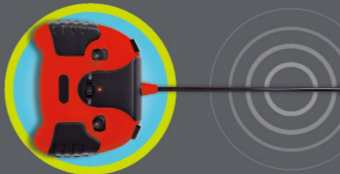
AGES 6+

BOX CONTAINS THE FOLLOWING FREQUENCY:

- 27 MHz
- 49 MHz



radio controlled SPIN DRIFTER 360° STUNT VEHICLE



WIRELESS RC ACTION!

BATTERY OPERATED PLAY VEHICLE

AGES 6 AND UP

WARNING! CHOKING HAZARD - Small parts. Not suitable for children under 3 years.



remote controlled SPIN DRIFTER 360° STUNT VEHICLE



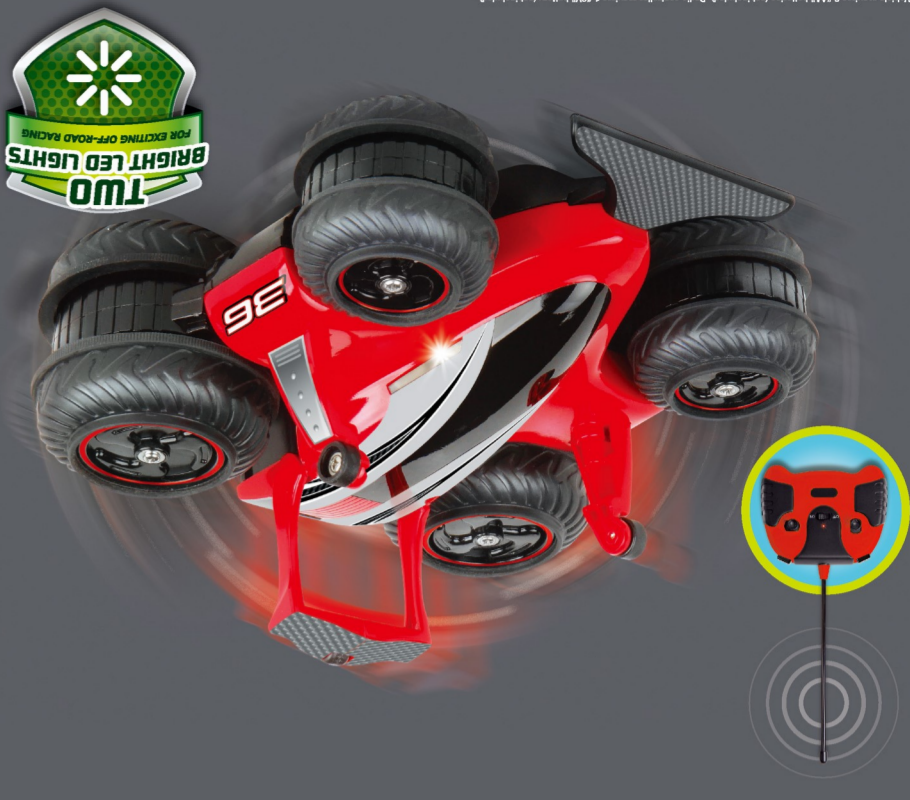
- Multi-stunt vehicle with 360° spins, extreme wheelies—even upside down racing!
- Unique flip-up tires creates gliding illusion
- Built-in LED lights for night time RC action
- Full-function wireless remote control
- available in 2 frequencies for competitive racing
- 5-in-1 design: flips, glides, drifts, and spins



Vehicle requires 6 "AA" batteries (not included). Radio controller requires 1 "9V" battery (not included). See bottom panel for complete operating instructions. Colors and specifications may vary.



remote controlled SPIN DRIFTER 360° STUNT VEHICLE



Vehicle requires 6 "AA" batteries (not included). Radio controller requires 1 "9V" battery (not included).