

APPROVED
By Oivind at 10:43 am, May 25, 2018

Multifunctional battery Speaker

QFX®
Modelo:PBX-2



Carefully read User Guide to operate this unit properly.
Keep for future reference.

Instruction Manual

You are welcome to purchase and use the company's digital active speakers, to ensure the safe use of this product to achieve the best results, please read this manual carefully.

This product can be connected to PC, TV, CD, VCD, DVD, TUNER, TAPE, USB, TF, BT and other audio equipment, it is easy to carry, fully functional perfect design, excellent sound quality performance, I believe will bring you New feeling.

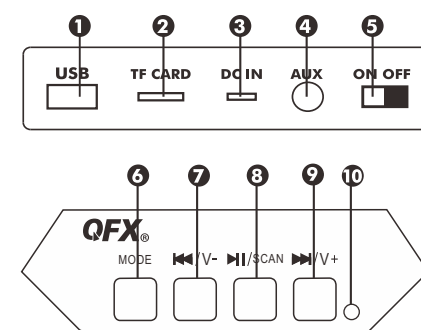
Warmth prompt

When charging the unit, please turn off the power switch, so as not to appear the phenomenon of battery failure, do not use the machine for a long time, please every 30 days or so for the local charge and discharge time, so as not to use for a long time, resulting in battery capacity decline Or damaged.

Technical Parameters

- output Power:5W
- frequency response:40Hz-16Khz
- speaker unit:4inch*1
- signal-to-noise ratio: ≥85dB
- impedance: 2 ohm
- total harmonic distortion: ≤0.05 1W

PANEL FUNCTION DECLARATION



- 1、 USB socket
- 2、 Micro SD card socket
- 3、 Charging socket(DC 5V)
- 4、 Audio input pin
- 5、 Power control switch
- 6、 Mode:LIN, MP3, FM, BT
- 7、 Previous(FM:On a radio)
- 8、 Play/pause(FM:Automatic search)
- 9、 Next song(FM:The next channel)
- 10、 Power Indicator

Connecting to BT

- Press "MODE" until you hear two beeps. BT Mode is on.
- Turn on your smartphone's BT and search for the device. Then you will read "QFX PBX-2" on smartphone.
- Connect with "QFX PBX-2" click the ok on smartphone.
- "Connected" message will appear. Connection is successful. (play and select music with smartphone when connected through BT).

Micro SD Function

- Press "MODE" on remote or "Mode" on back panel to switch to TF Mode or just insert a Micro SD card. TF mode will start automatically.
- Press "PLAY/PAUSE" to continue play/pause music.
- Press "NEXT" button to go to next song.
- Press "PREVIOUS" to go back to previous song.
- Press "REPEAT" to replay same song.

USB Function

- Press "MODE" on remote or "Mode" on back panel to switch to USB Mode or just insert a USB flash drive. USB mode will start automatically.
- Press "PLAY/PAUSE" to continue play/pause music.
- Press "NEXT" button to go to next song.
- Press "PREVIOUS" to go back to previous song.
- Press "REPEAT" to replay same song.

FM Radio Function

- Press "MODE" on remote or "Mode" on back panel to switch to FM Mode. Radio will start automatically.
- Press "PLAY/PAUSE" to enter into automatic FM channel searching.
- Press "NEXT" button to go to next frequency.
- Press "PREVIOUS" to go back to previous frequency.

FCC Statement

This device complies with Part 15 of the FCC rules. Operation is subject to the following two conditions: 1) this device may not cause harmful interference, and 2) this device must accept any interference received, including interference that may cause undesired operation.

Note: This equipment has been tested and found to comply with the limits for a Class B digital device, pursuant to part 15 of the FCC Rules. These limits are designed to provide reasonable protection against harmful interference in a residential installation.

This equipment generates uses and can radiate radio frequency energy and, if not installed and used in accordance with the instructions, may cause harmful interference to radio communications. However, there is no guarantee that interference will not occur in particular installation. If this equipment does cause harmful interference to radio or television reception, which can be determined by turning the equipment off and on, the user is encouraged to try to correct the interference by one or more of the following measures:

- Reorient or relocate the receiving antenna.
- Increase the separation between the equipment and receiver.
- Connect the equipment into an outlet on a circuit different from that to which the receiver is connected.

--Consult the dealer or an experienced radio/TV technician for help.
Changes or modifications not expressly approved by the party responsible for compliance could void the user's authority to operate the equipment.

FCC Radiation Exposure Statement

This device complies with FCC RF radiation exposure limits set forth for an uncontrolled environment. This transmitter must not be co-located or operating in conjunction with any other antenna or transmitter.