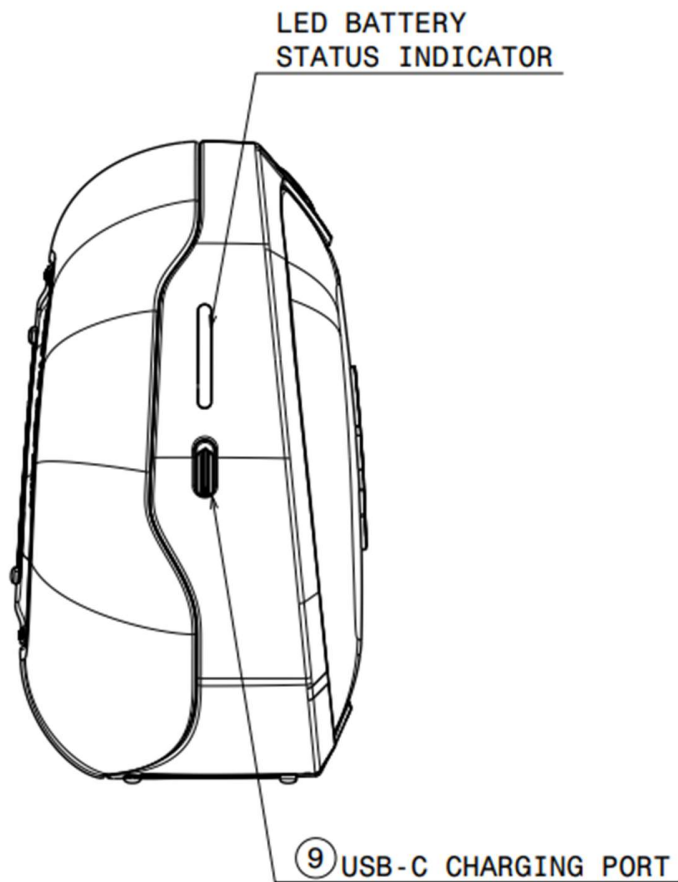
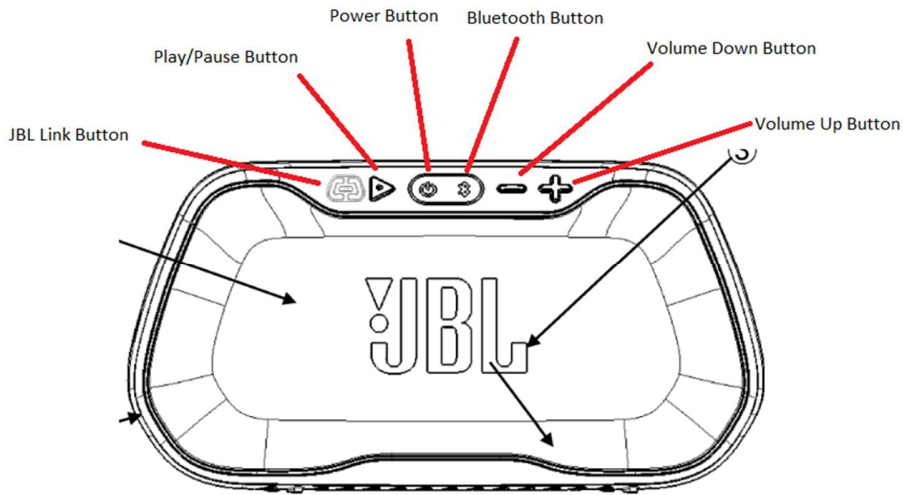


TOYOTA JBL Flex User Guide

Controls and Connections



Charge the Battery

The speaker can be charged by a standard Type-C USB port or by docking the vehicle into its companion dock within the vehicle dashboard. When the speaker is undocked and plugged in via the Type-C USB port there is an LED battery level indicator gauge on the unit near the USB port. Once fully charged, all of these LEDs will be illuminated in white. When the speaker is charging in its dock the LED indicator gauge is not active.

The battery will fully charge in 3.5 hours from empty. The fully charged battery has enough power for up to 6.5 hours of audio playback at 50% volume.

Battery LED patterns charging via USB-C


LED Status	Condition
#1 - #4 white, constant, #5 white, flashing	Battery > 80%
#1 - #3 white, constant, #4 white, flashing	Battery level > 60%, but ≤ 80%
#1 - #2 white, constant, #3 white, flashing	Battery level > 40%, but ≤ 60%
#1 - #4 white, constant, #2 white, flashing	Battery level > 20%, but ≤ 40%
#1 white flashing	Battery level ≤ 20%
No LED's illuminated	Device Off Condition OR +BA On Detected

Switch On

To switch the speaker on, press the power button on the face of the speaker.

The speaker will play the JBL Power On sound. All buttons on the device will illuminate and the LED battery level indicator will briefly show the battery level of the device. When the speaker tries to connect to the last used phone or music player the Bluetooth button on the speaker will blink on and off. When the speaker is connected to a device and ready to use the Bluetooth button will stay illuminated and the JBL connection sound will play. If the speaker has not paired with a device, it automatically enters pairing mode and searching sound will be played.

When the speaker is docked none of the face buttons or features of the speaker are available. Instead the speaker will be bypassed and become part of the car audio system while charging the speaker battery.

Power LED Status 	Device State
White, constant	Power on
Off	Power off

Switch Off

To switch the speaker off press the power button on the face of the speaker.


The speaker will play the JBL Power Off sound. All buttons on the device will stop being illuminated. If the speaker is idle for 30 minutes it will switch off automatically.

To fully shut down the speaker press down on the power button on the face of the device for 10 seconds.

Pairing

1. Ensure that your Bluetooth capable phone or music player is switched on.
2. To pair the speaker if it has not been previously paired with a device, switch on the speaker or, if the speaker is already on press the Bluetooth button on the face of the speaker. The speaker enters into pairing mode and the Bluetooth button on the face of the speaker starts to blink on and off and a searching sound is played. To pair the speaker if it has been previously paired with another device ensure that the speaker is on and press the Bluetooth button on the face of the speaker then it will enter pairing mode.
3. Activate the Bluetooth feature on your phone or music player and set it to search for Bluetooth devices.
4. Select "TOYOTA JBL Flex" from the list of found devices on your phone or music player.
5. Once the speaker is connected via Bluetooth the Bluetooth button illuminates and a connection sound is played.

Please note that when a speaker is in pairing mode if no device is connected in 3 minutes the speaker will stop pairing and enter idle mode.

Bluetooth LED Status 	Device Bluetooth State
White, flashing	Bluetooth Pairing Mode
White, constant	Any Bluetooth device connected.
Off	Power off
	Not paired, TG device remote disconnection, link loss, JBL Link mode active (For Slave Devices)

Disconnect the Speaker

To disconnect the speaker from your device switch the speaker off or disconnect it from the Bluetooth menu on your device.

Reconnect the Speaker

To connect the speaker to a phone or music player that has lost connection with the speaker switch on the speaker and the speaker will automatically attempt to reconnect to known Bluetooth devices. If the

speaker is not in pairing mode after the 3 minute timeout you can press the Bluetooth button on the face of the device to enter pairing mode again. If the device has not been previously connected with the speaker you will need to pair the device in the Bluetooth menu on the device.

Link Multiple Speakers

The JBL Link feature allows for multiple JBL Flex speakers to be connected together for simultaneous audio playback.

To link multiple speakers together the following steps must be followed:

1. The main speaker must be switched on and connected via Bluetooth to a phone or other media playback device.
2. On the main speaker press the JBL Link button on the face of the device and the JBL Link mode discovery sound will play through the main speaker.
3. The speaker to be paired (client speaker) must be turned on.
4. On the client speaker press the JBL Link button on the face of the device and the JBL Link mode discovery sound will play through the client speaker.
5. While both devices are searching for a link both devices will show their respective Bluetooth buttons LEDs flashing.
6. Once a connection is established a connection sound will be played on both the main speaker and the client speaker. The Bluetooth LED on the main speaker will stay illuminated and the Bluetooth LED on the client speaker will stop being illuminated.

This process can be repeated for multiple client speakers but there will only be one main speaker. This procedure can be performed whether audio is actively playing through the speakers or not.

Once the speakers are paired main playback is controlled through the main speaker and the device connected to the main speaker. All connected speakers will have the same volume as the main speaker unless you change the speaker on the client speaker. Then they will stay out of sync.


This pairing process can be cancelled by pressing the power button, the Bluetooth button, the link button again, or docking the speaker.


If no link can be made then the JBL Link mode exit sound is played and the main speaker and client speaker return to their previous functionality.

Notice:

This feature only works with other JBL Flex speakers. It does not work with other JBL products with similar features.

LED Status

Bluetooth LED Status 	Device Bluetooth State
White, flashing	Bluetooth Pairing Mode
White, constant	Any Bluetooth device connected.
Off	Power off
	Not paired, TG device remote disconnection, link loss, JBL Link mode active (For Slave Devices)

Power LED Status 	Device State
White, constant	Power on
Off	Power off

Battery LED patterns when not charging

LED Status	Condition
5 white, constant	Battery > 75%
4 white, constant	Battery level > 60%, but ≤ 75%
3 white, constant	Battery level > 45%, but ≤ 60%
2 white, constant	Battery level > 30%, but ≤ 45%
1 white, constant	Battery level > 15%, but ≤ 30%
1 red, flashing	Battery level > 5%, but ≤ 15%
No LED's illuminated	Device Off Condition OR +BA On Detected OR illumination time out

Battery LED patterns charging via USB-C

LED Status	Condition
#1 - #4 white, constant, #5 white, flashing	Battery > 80%
#1 - #3 white, constant, #4 white, flashing	Battery level > 60%, but ≤ 80%
#1 - #2 white, constant, #3 white, flashing	Battery level > 40%, but ≤ 60%
#1 - #4 white, constant, #2 white, flashing	Battery level > 20%, but ≤ 40%
#1 white flashing	Battery level ≤ 20%
No LED's illuminated	Device Off Condition OR +BA On Detected

Notice:

1. The LEDs for the battery status will illuminate after the user turns on the speaker by the power button and remain illuminated for 10 seconds after the power on.
2. After the initial 10 seconds of illumination, if the device is still powered on, the battery status LEDs shall illuminate another 10 seconds upon operation of the volume up/down or play/pause buttons. Removing the USB-C charger will result in the battery status LEDs remaining on for 10 seconds.
3. Docking the speaker always results in all LEDs on the device turning off.

Listen to Music

To listen to music connect the speaker to a compatible music player that supports A2DP Bluetooth profile. The available music functions depend on your music player. If you receive or make a call while listening to music the music is paused until the call ends.

To play a song select it in the music player and playback should begin immediately from the speaker. To play or pause audio playback you can press the play/pause button on the face of the speaker. To advance to the next song double press the play/pause button on the face of the device.

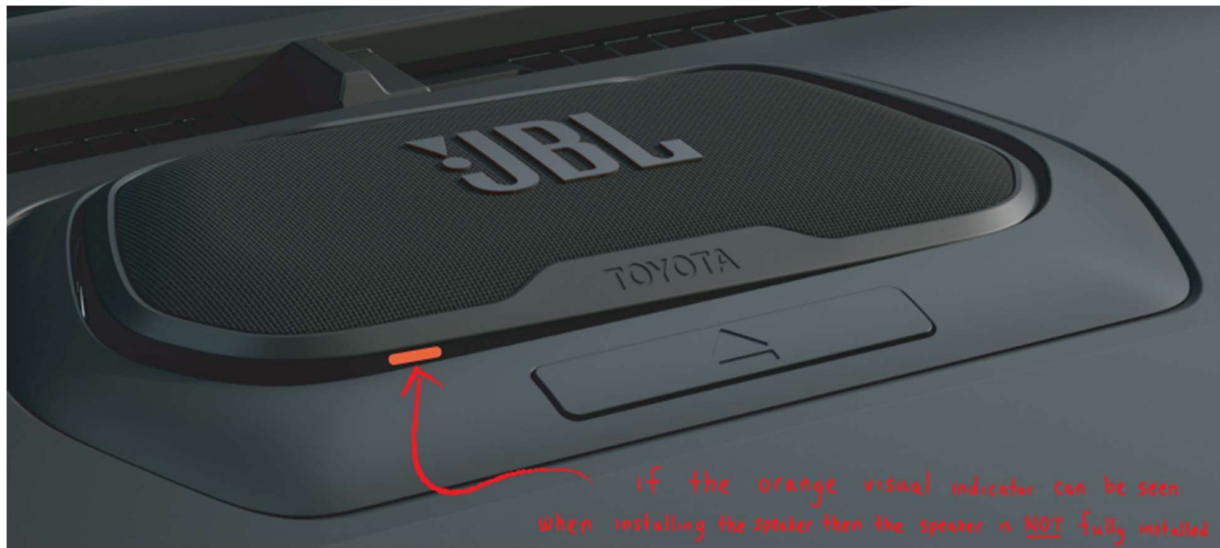
Notice:

Keep the speaker within the Bluetooth range of the connected device, preferably without obstacles. Otherwise the audio playback may be affected or disconnect.

Docking The Speaker

Plugging the speaker into the companion dock in the dashboard of the vehicle is known as “docking”. When the speaker is docked the internal electronics are disconnected and no features from the undocked speaker are available. Instead, the speaker acts as part of the car audio system as well as charging the battery of the speaker.

Notice, to ensure that the speaker is fully docked into the dock press firmly on the face of the device and you will hear two mechanical clicks. There are also two orange indicators on the bottom of the speaker. Those SHOULD NOT be visible when the speaker is docked. If either indicator is visible the speaker is not fully docked and you should press down until the indicators are not longer visible.



Undocking The Speaker

To remove the speaker from the companion dock on the dashboard of the vehicle, also known as “undocking” press on the ejector button on the dock and the speaker will rise out of the dock and can be used as a Bluetooth speaker.



Reset The Speaker

To reset the speaker back to factory conditions the speaker must be turned on then the user must hold the volume up and play/pause button at the same time for 3 seconds. After 3 seconds has elapsed the speaker will power down and play the power off noise and all of the memory of previous Bluetooth connections will be cleared.

Regulatory Information

To view the regulatory information for the speaker please remove the rear grille of the speaker.

FCC ID: 2AHPN-FLEX1G

This device complies with part 15 of the FCC Rules. Operation is subject to the following two conditions:

(1) This device may not cause harmful interference, and (2) this device must accept any interference received, including interference that may cause undesired operation.

Any Changes or modifications not expressly approved by the party responsible for compliance could void the user's authority to operate the equipment.

Note: This equipment has been tested and found to comply with the limits for a Class B digital device, pursuant to part 15 of the FCC Rules. These limits are designed to provide reasonable protection against

harmful interference in a residential installation. This equipment generates uses and can radiate radio frequency energy and, if not installed and used in accordance with the instructions, may cause harmful interference to radio communications. However, there is no guarantee that interference will not occur in a particular installation. If this equipment does cause harmful interference to radio or television reception, which can be determined by turning the equipment off and on, the user is encouraged to try to correct the interference by one or more of the following measures:

- Reorient or relocate the receiving antenna.
- Increase the separation between the equipment and receiver.
- Connect the equipment into an outlet on a circuit different from that to which the receiver is connected.
- Consult the dealer or an experienced radio/TV technician for help.

The device has been evaluated to meet general RF exposure requirement. The device can be used in portable exposure condition without restriction.

IC ID: 6434C-FLEX1G

This device contains licence-exempt transmitter(s)/receiver(s) that comply with Innovation, Science and Economic Development Canada's licence-exempt RSS(s). Operation is subject to the following two conditions:

- (1) This device may not cause interference.
- (2) This device must accept any interference, including interference that may cause undesired operation of the device.

Le présent appareil est conforme aux CNR d'Industrie Canada applicables aux appareils radio exempts de licence. L'exploitation est autorisée aux deux conditions suivantes:

- (1) l'appareil ne doit pas produire de brouillage, et
- (2) l'utilisateur de l'appareil doit accepter tout brouillage radioélectrique subi, même si le brouillage est susceptible d'en compromettre le fonctionnement.

This Class B digital apparatus complies with Canadian ICES-003.

Cet appareil numérique de la classe B est conforme à la norme NMB-003 du Canada. CAN ICES-003 (B)/NMB-003(B)

Radiation Exposure Statement: The product comply with the Canada portable RF exposure limit set forth for an uncontrolled environment and are safe for intended operation as described in this manual.

Déclaration d'exposition aux radiations: Le produit est conforme aux limites d'exposition pour les appareils portables RF pour les Etats-Unis et le Canada établies pour un environnement non contrôlé.

CAN ICES-3 (B)/NMB-3(B)

