



Conducted Test Setup

This document presents the Conducted Test Setup used for Testing

Harman CY20 DA UPPER

This test result relates only to the described test object.

This document shall not be reproduced, except in full, without the written approval of Bureau Veritas Test Lab.

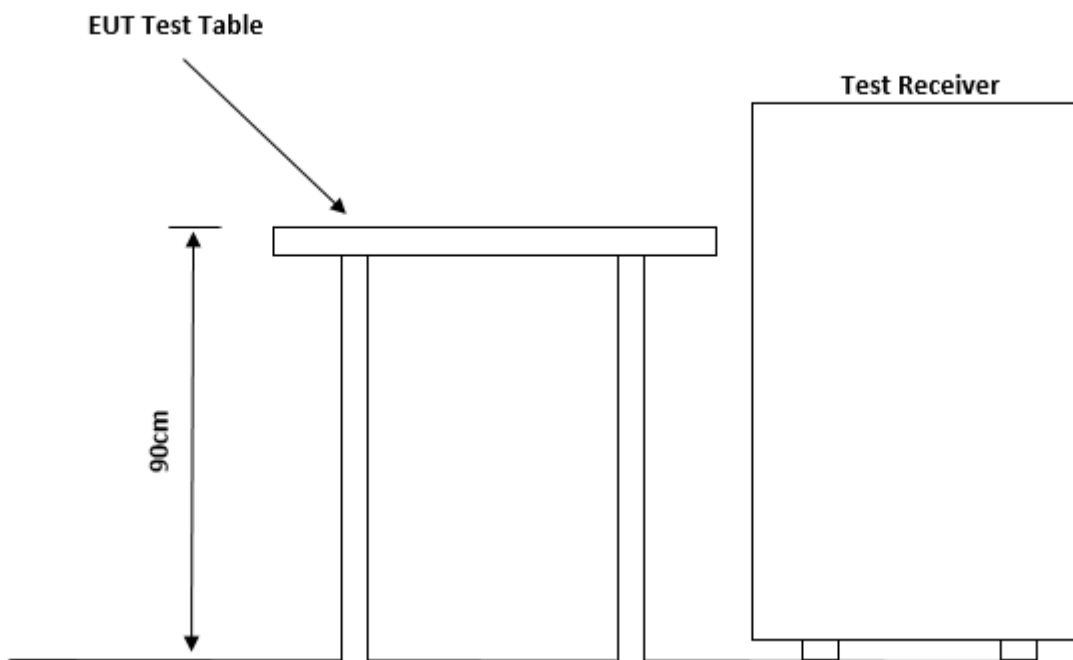
Customer must not use this test report as the product certification of each accreditation body or each national organization.

The test is traceable to national standard or related international standard

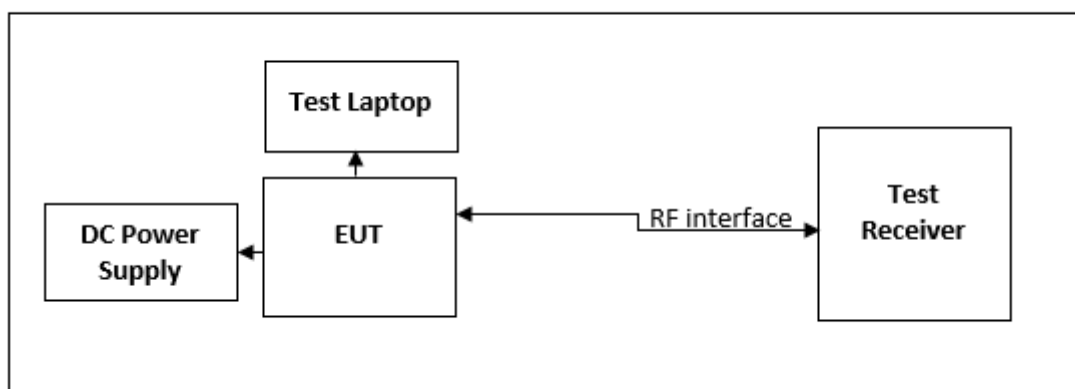
Test Setup

Conducted Test Site Description

The site is accommodated to test tabletop and floor standing test equipment.



TEST SETUP DIAGRAM

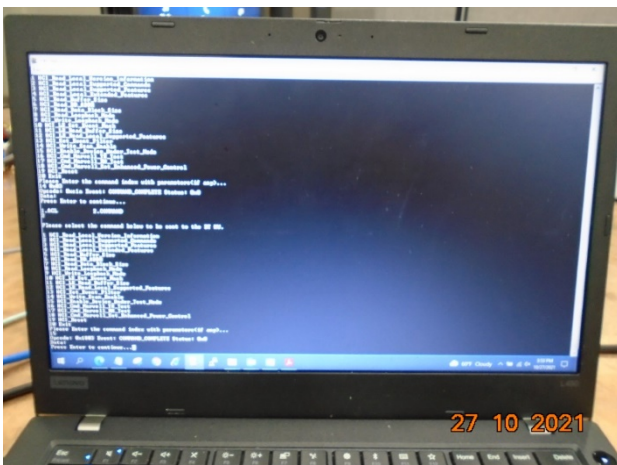


DUT Sample Information

AH21100601-HAR-134#1



Test Setup Pictures



Test Equipment Used

ID #	Equipment	Manufacturer	Model #	Serial #	Cal Due
BVD0226	Spectrum Analyzer 10Hz-44GHz	Rohde & Schwarz	FSV3044	101018	1/14/2022
BVD0227	8 port switch unit for Wireless Test system	Rohde & Schwarz	OSP150	101100	N/A
BVD0228	8 port switch unit for Wireless Test system	Rohde & Schwarz	OSP220	101632	N/A
BVD0224	Signal Generator 100kHz-40GHz	Rohde & Schwarz	SMB100A	181741	11/19/2022
BVD0225	Signal Generator 100k-6GHz with GPS simulator	Rohde & Schwarz	SMW200A	107664	11/18/2022
BVD0250	Wireless Connectivity Tester 70M-6GHz	Rohde & Schwarz	CMW270	102113	11/18/2022
BVD0343	DC Regulated Power Supply	Circuit Specialists, INC	CSI3020X	595215	N/A
BVD0321	Fixed Attenuator 2W 20dB -40GHz	Mini-Circuits	BW-K20-2W44+	2103	N/A
BVD0477	10db Attenuator -18GHz	Mouser	BW-S10W2+	2043	N/A
BVD0229	Temp and Humidity Meter	Fluke	971	12001009	3/26/2022

Customer Supplied Equipment

ID #	Equipment	Manufacturer	Model	Serial #	Version No.
N/A	Cable Harness	Harman	N/A	N/A	N/A
N/A	USB Hub	Harman	N/A	N/A	N/A
N/A	USB 2.0 Ethernet Adapter	Harman	USB2-E100	N/As	N/A

Equipment List (Software)

ID #	Equipment	Manufacturer	Model	Version No.	
N/A	EMC Test Software	Rodhe & Schwarz	EMC32	11.20.00	N/A

End of Report