

PowerLogic Series

PD100 Partial Discharge Tag

User Manual

PowerLogic offers power quality, uptime and efficiency.

GEX5968601-00
08/2022



Legal Information

The Schneider Electric brand and any trademarks of Schneider Electric SE and its subsidiaries referred to in this guide are the property of Schneider Electric SE or its subsidiaries. All other brands may be trademarks of their respective owners.

This guide and its content are protected under applicable copyright laws and furnished for informational use only. No part of this guide may be reproduced or transmitted in any form or by any means (electronic, mechanical, photocopying, recording, or otherwise), for any purpose, without the prior written permission of Schneider Electric.

Schneider Electric does not grant any right or license for commercial use of the guide or its content, except for a non-exclusive and personal license to consult it on an "as is" basis. Schneider Electric products and equipment should be installed, operated, serviced, and maintained only by qualified personnel.

As standards, specifications, and designs change from time to time, information contained in this guide may be subject to change without notice.

To the extent permitted by applicable law, no responsibility or liability is assumed by Schneider Electric and its subsidiaries for any errors or omissions in the informational content of this material or consequences arising out of or resulting from the use of the information contained herein.

As part of a group of responsible, inclusive companies, we are updating our communications that contain non-inclusive terminology. Until we complete this process, however, our content may still contain standardized industry terms that may be deemed inappropriate by our customers.

Table of Contents

Safety Information	5
About the Book	7
Safety Precautions	8
Presentation	10
PowerLogic Master Range	10
PD100 Description	10
PD100 Dimensions	11
PD100 Front Face Description	11
PD100 Mounting Clips	14
PD100 Serial Number	14
Technical Characteristics	15
Installation	17
Safety Instructions	17
Installation Instructions	17
Wiring	19
Operation	23
Cybersecurity	23
Commissioning	23
Unpairing the PD100	24
Diagnostic Mode	24
Maintenance	25
Troubleshooting	26
Radio Frequency Compliance	27
Schneider Electric Green Premium™ Ecolabel	29

Safety Information

Important Information

Read these instructions carefully and look at the equipment to become familiar with the device before trying to install, operate, service, or maintain it. The following special messages may appear throughout this documentation or on the equipment to warn of potential hazards or to call attention to information that clarifies or simplifies a procedure.



The addition of this symbol to a “Danger” or “Warning” safety message indicates that an electrical hazard exists which will result in death or serious injury if the instructions are not followed.



This is the safety alert symbol. It is used to alert you to potential personal injury hazards. Obey all safety messages with this symbol to avoid possible injury or death.

⚠ DANGER
DANGER indicates a hazardous situation which, if not avoided, will result in death or serious injury.
Failure to follow these instructions will result in death or serious injury.

⚠ WARNING
WARNING indicates a hazardous situation which, if not avoided, could result in death or serious injury.
Failure to follow these instructions can result in death, serious injury, or equipment damage.

⚠ CAUTION
CAUTION indicates a hazardous situation which, if not avoided, could result in minor or moderate injury.
Failure to follow these instructions can result in injury or equipment damage.

NOTICE
NOTICE is used to address practices not related to physical injury.
Failure to follow these instructions can result in equipment damage.

Please Note

Electrical equipment should be installed, operated, serviced, and maintained only by qualified personnel. No responsibility is assumed by Schneider Electric for any consequences arising out of the use of this material.

A qualified person is one who has skills and knowledge related to the construction, installation, and operation of electrical equipment and its installation and has received safety training to recognize and avoid the hazards involved.

About the Book

Document Scope

The aim of this guide is to provide installers, users and maintenance technicians with the technical information and procedures to install and use the PowerLogic™ Partial Discharge Tag (PD100) and associated equipment.

Validity Note

This guide applies to the PowerLogic Partial Discharge Tag (PD100). The PD100 is compatible with the Schneider Electric VDIS (Voltage Detecting and Indicating System) unit.

Online Information

The information contained in this guide is likely to be updated at any time. Schneider Electric strongly recommends that you have the most recent and up-to-date version available on www.se.com/ww/en/download.

The technical characteristics of the devices described in this guide also appear online. To access the information online, go to the Schneider Electric home page at www.se.com.


Related Documents

Title of documentation	Reference number
<i>EcoStruxure Panel Server - User Guide</i>	DOCA0172EN
<i>How Can I Reduce Vulnerability to Cyber Attacks?</i>	Cybersecurity System Technical Note


You can download these technical publications and other technical information from our website at www.se.com/ww/en/download.

Safety Precautions


Safety Rules

 DANGER
<p>HAZARD OF ELECTRIC SHOCK, EXPLOSION, OR ARC FLASH</p> <ul style="list-style-type: none"> • Apply appropriate personal protective equipment (PPE) and follow safe electrical work practices. See standards or local equivalent. • Perform work only after reading and understanding all of the instructions contained in these instructions. • Turn off all power supplying the system before working on or inside the system. • Respect the LOTO (Lock Out Tag Out) procedure. • Always use a properly rated voltage sensing device to confirm that power is off. • Do not modify the mechanical or electrical parts. <p>Failure to follow these instructions will result in death or serious injury.</p>

Cleaning Instructions

 DANGER
<p>HAZARD OF ELECTRIC SHOCK, EXPLOSION, OR ARC FLASH</p> <ul style="list-style-type: none"> • Do not use solvents or alcohol for cleaning the equipment. • Do not use high-pressure cleaner for cleaning the equipment. <p>Failure to follow these instructions will result in death or serious injury.</p>

Disposal of the Equipment at End-of-Life

 DANGER
<p>HAZARD OF ELECTROCUTION, BURNS, OR EXPLOSION</p> <ul style="list-style-type: none"> • Apply appropriate personal protective equipment (PPE) and follow safe work practices. • Switch off the general and auxiliary power supply of the PD100 before the electrical disconnection. • Never work alone during the electrical disconnection of the PD100. • Always use a properly rated voltage sensing device to confirm the absence of voltage. • Consider all sources of power, including the possibility of backfeeding. • This equipment must only be dismantled by qualified and authorized personnel. • Penalties may apply according to local regulations and rules. <p>Failure to follow these instructions will result in death or serious injury.</p>

The PD100 must be disposed of according to the legislation of the country.

The following schematic gives the location of the different parts of the PD100 to be processed:

The following table gives the list of recommendations for the disposal of the PD100 components and materials for the items shown on the illustration.

Item	Recommendation	Component / Material	Weight	Comment
1	To be depolluted	PCBAs glued to the boxes, including electrolytic capacitors and LCD		
2	To be dismantled	Rest of the device		
3	Other			

Contact your Schneider Electric local representative for details.

Presentation

PowerLogic Master Range

The PD100 is part of the PowerLogic master range. PowerLogic smooths the power supply, and protects the network, the installation and the operator by improving the power factor and hence the quality of the power. It also allows for remote control of equipment and the monitoring of its performance and condition in real time.

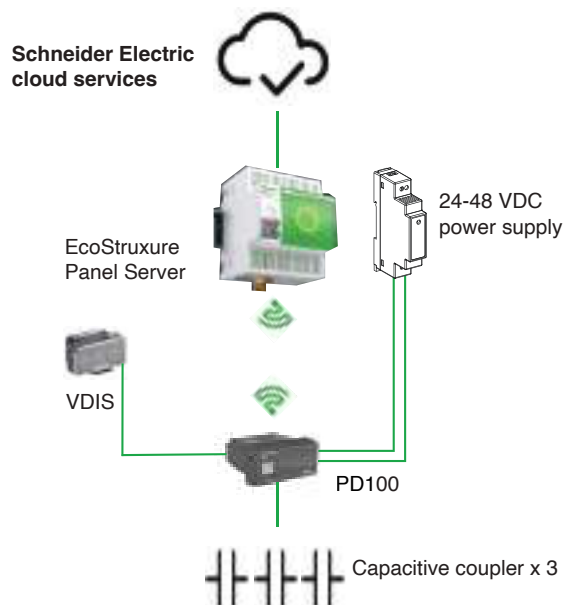
PD100 Description

The PD100 measures partial discharge signals broadcast on the MV network through a capacitive coupler. The measurement is performed 24 hours a day, 7 days a week. The PD100 processes the signal and sends relevant data through a wireless communication network (Zigbee Pro) to a Zigbee receiver. The information gathered by the PD100 is analyzed and stored in the Schneider Electric cloud.

The PD100 allows Schneider Electric Field Service Representatives to perform on-site diagnostics. It is equipped with a dedicated front face connector for Schneider Electric tool connection.

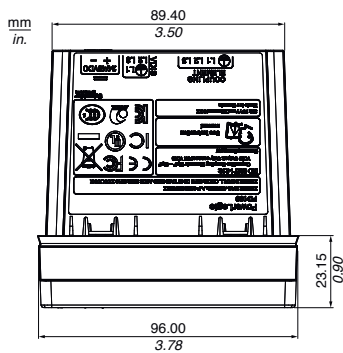
The PD100 is designed to be installed in the cubicle and connected to all three phases of the Medium Voltage supply of the cubicle via the same capacitive connection used for the VDIS or VPIS units. The PD100 can use the Schneider Electric Smart Insulator or the existing capacitive interfaces provided that the capacitive value is between 15 pF and 40 pF.

A push-button on the front of the PD100 allows you to pair the Zigbee Pro communication link.

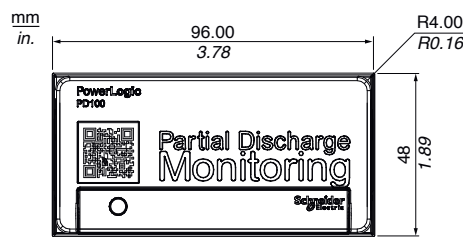


PD100 Dimensions

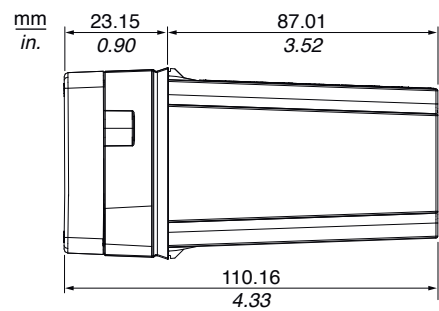
Top view



Front view



Side view



PD100 Front Face Description

PD100 with cover closed



PD100 with cover open








- A. System LED
- B. Zigbee LED
- C. System button
- D. Zigbee button
- E. QR code

System LED

The system LED indicates the system state.

The following table describes the system LED behavior.





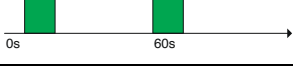



LED indication	Description
Off	PD100 not powered.
 0s	PD100 functioning normally.

LED indication	Description
	PD100 in test mode (accelerated monitoring reporting rate).
	Diagnostic connector enabled. PD100 monitoring is disabled.
	PD100 performing maintenance tasks like firmware update. PD100 not functional. Partial discharge monitoring and Zigbee communication disabled.
	PD100 in error and out of order.

Zigbee LED

The Zigbee LED indicates the state of the Zigbee Pro network.

The following table describes the Zigbee LED behavior.

LED indication	Description
	PD100 unpaired with factory settings.
	PD100 searching for a Panel Server or gateway.
	PD100 paired and network opened for new devices to join.
	PD100 in identification mode.
	PD100 in the network. Normal communication with the Panel Server or gateway.
	Loss of communication with the Panel Server or gateway.
	Occasional loss of communication.
	Internal error detected.

System Button

The system button allows you to control the system state.

The different modes are the following:

- Test mode
- Set-up mode
- Diagnostic mode

When you press the system button on the front panel, the PD100 enters test mode for 3 minutes. Use test mode to check PD100 commissioning.

NOTE: Data is not measured in test mode.

Zigbee Button

The Zigbee button allows you to control the PD100 Zigbee status.

It allows you to:

- Perform a Zigbee factory reset.
- Join a network.
- Enter set-up mode.
- Enter set-up mode + find and bind.

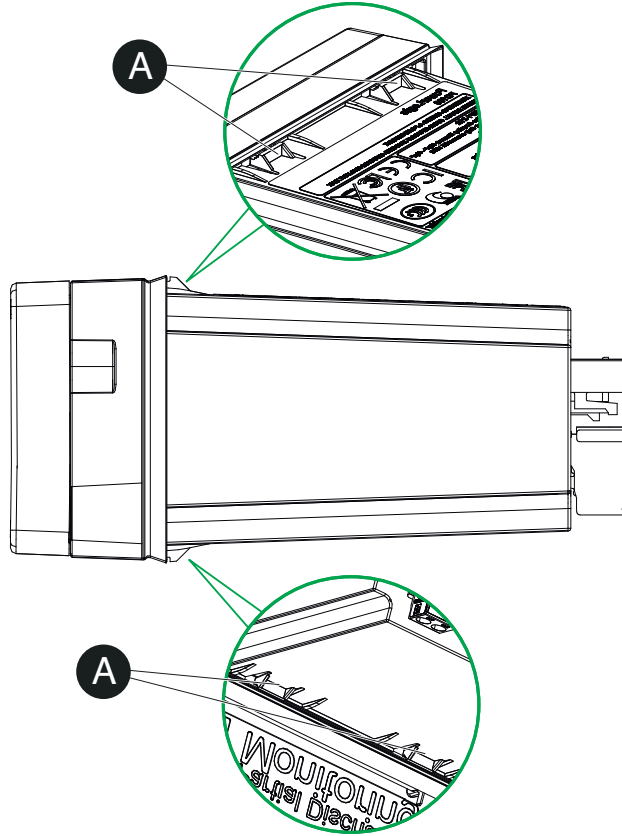
QR Code

When the QR code located on the front face of a PD100 is scanned with a smartphone running a QR code reader and connected to the Internet, the Go2SE landing page is displayed. The following information is available from the landing page:

- PD100 commercial reference and serial number
The commercial reference for the PD100 is PD100X001.
- MAC address of the PD100 IEEE 802.15.4 network
- IEEE 802.15.4 install code
- PD100 technical characteristics
- PD100 technical publications

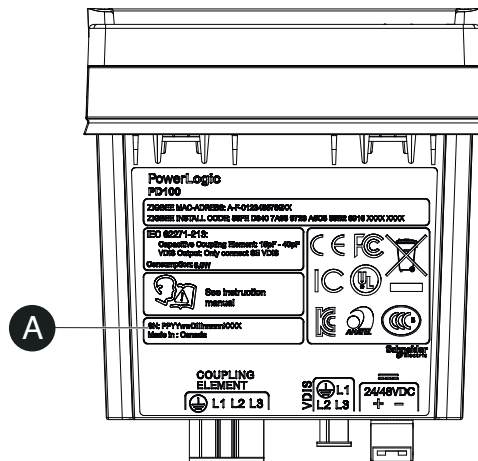
For more information, see [Zigbee pairing process procedure](#), page 23.

PD100 Mounting Clips



A. PD100 mounting clips x 4

PD100 Serial Number



A. PD100 serial number

The PD100 serial number is coded PPYYwwDlInnnn, where:

- PP: plant code
- YY: year of manufacture
- ww: week of manufacture
- D: weekday of manufacture (Monday = 1)
- ll: line number
- nnnn: unique product number during the day.

Example: RN22045040123 means that product 0123 was manufactured on line number 04 at plant RN on Friday 28 January 2022.

Technical Characteristics

Environmental Characteristics

The following table presents the environmental conditions to install the PD100.

Characteristics		Value
Temperature inside cable compartment		-30 °C to +70 °C (-22 °F to +158 °F)
Ambient temperature	During storage	-20 °C to +85 °C (-4 °F to +185 °F)
	In operation	-15 °C to +70 °C (+5 °F to +158 °F)
Relative humidity		20%–100%
Altitude of use		0–2,000 m (0–6,500 ft)
Weight		250 g (8.8 oz)
Degree of protection (IEC 60529)		<ul style="list-style-type: none"> • Front face: IP41 • Rear face: IP20

Communication Characteristics

Characteristics	Value
Communication Protocol	Zigbee PRO 3.0
Cybersecurity level	SL 1

Electrical Characteristics

Characteristics	Value
Frequency (auto-detection)	50 Hz and 60 Hz
Operating voltage	<ul style="list-style-type: none"> • Un: 3 to 36 kV • Vn: 1.7 to 24 kV
Capacitive coupling element	Capacitance value: 15–40 pF
VDIS	Only connect Schneider Electric VDIS
Partial discharge	50 pC to 20 nC
Sensitivity	7 pC
Resolution	12% of value
Repeatability	6% of value
Coupling element input	Maximum voltage value: 60 Vrms
Electromagnetic compatibility	IEC 61000-6-5 Level 3
Safety	IEC 62271-213

Physical Characteristics

Characteristics	Value
Reset	Manual via front panel
Indications	LEDs
Dimensions	H x W x D: 48 x 96 x 110.16 mm (1.89 x 3.78 x 4.33 in)
Flush-mounting cut-out (max. plate thickness: 20/10°)	H x W: 45 x 93 mm (1.77 x 3.66 in)
Secure mounting preventing removal	
Connection to terminal	
Mounting in any type of MV cubicle: RM6, SM6, Flusarc, FBX, PREMSET	
Climatic and mechanical tests	IEC 62271-213

Power Supply Characteristics

Characteristics	Value
No battery	
External power supply	24-48 Vdc \pm 20%
Maximum consumption	300 mA

PD100 Sensor Characteristics

Only connect the PD100 on a capacitive coupling element compliant with IEC 62271-1 standard.

Installation

Safety Instructions

DANGER

HAZARD OF ELECTRIC SHOCK, EXPLOSION, OR ARC FLASH

- The PD100 must be used only with Schneider Electric VDIS.
- The PD100 must be connected on a capacitive coupling value between 15 pF and 40 pF.
- The PD100 rear connectors must be inaccessible when the cubicle is energized.
- The PD100 must only be installed by qualified electrical personnel.
- All pertinent state, regional, and local safety regulations must be observed when installing this product.
- Apply appropriate personal protective equipment (PPE) and follow safe electrical work practices. See NFPA 70E, CSA Z462, NOM 029-STPS, or local equivalent.
- The detection and communication functions of the PD100 can be deteriorated depending on its installation in the equipment.
- Do not disable the other monitoring and safety devices of the equipment.
- Install the PD100 in a switchgear according to the following instructions.
- Treat communications and I/O wiring connected to multiple devices as hazardous live until determined otherwise.
- Do not open the PD100 case.
- Do not attempt to repair any components of the PD100 nor any of its accessory products.

Failure to follow these instructions will result in death or serious injury.

NOTICE

HAZARD OF EQUIPMENT DAMAGE

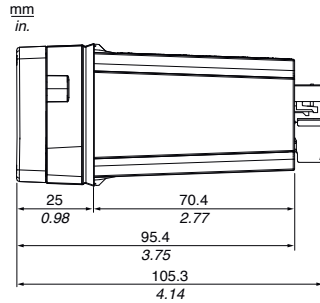
- During transportation and assembly, the cover of the PD100 must be in the closed position and be properly protected.
- The PD100 must be protected properly during transportation and handling of the cubicle.
- The manufacturer cannot be held responsible for failure to follow the instructions given in this User Manual.
- This User Manual must be kept for future use.

Failure to follow these instructions can result in equipment damage.

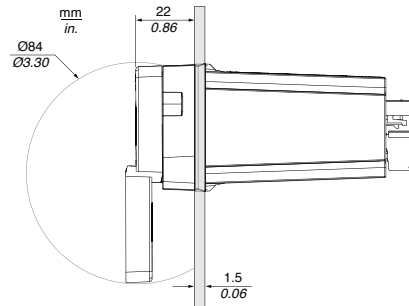
Installation Instructions

Install the PD100 as close as possible to a plug-and-play solution on the cubicle in a place allowing you to see clearly the indicators.

Make sure that clearance distances behind the PD100 allow you to insert the PD100 without the rear of the PD100 interfering with other components while allowing the wiring to be connected without the wire being stressed.



The front cover opens downwards. Make sure that you can open the PD100 front cover and get unobstructed access to the Zigbee pairing button and the service connector.



Check that you can scan the QR code on the PD100 front face using a mobile phone during the assembly of the cubicle.

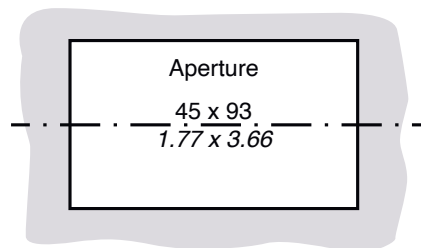
The PD100 is compliant with DIN standard. You can install the PD100 on any flat, rigid vertical support, using the four mounting clips of the PD100. To free up space for control gear, you can attach the PD100 to the front panel of the floor-standing or wall-mounted cubicle.

The mounting plate must have a thickness between 0.8 mm (0.03 in) and 3.2 mm (0.13 in). If coating treatment or other surface treatment exists, dimensions and tolerances include surface treatment.

To install the PD100, proceed as follows:

1. Cut out a rectangular frame measuring 45 x 93 mm (1.77 x 3.66 in) in the mounting plate.

mm
in.



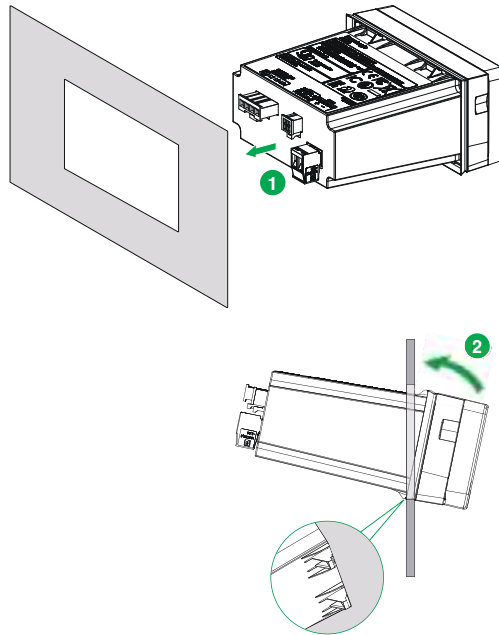
▲ WARNING

HAZARD OF CUTTING AND METAL PROJECTION

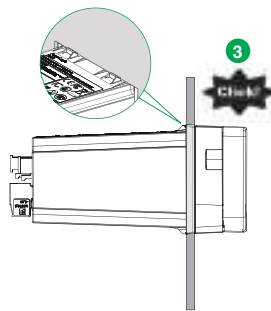
- Wear appropriate safety gloves and goggles.
- The cut-out of the mounting plate must respect the protection grading of the MV cubicle.
- The connectors of the PD100 must be inaccessible when the cubicle is energized.

Failure to follow these instructions can result in death, serious injury, or equipment damage.

2. Insert the PD100 in the cut-out in the mounting plate by tilting the PD100 slightly.



3. Push slightly the top of the PD100, until you hear a click.



4. Check that the two upper mounting clips are in place and that the PD100 is fixed securely on the mounting plate.
5. Check that the gasket is in place.

Wiring

Safety Instructions

⚠️ ⚠️ DANGER

HAZARD OF ELECTRIC SHOCK, EXPLOSION, OR ARC FLASH

- The PD100 is part of the VDIS system, as defined in IEC 62271-213 standard. Follow all the rules defined in IEC 62271-213 standard.
- The capacitive coupling element value must be compliant with IEC 62271-213 standard.
- The PD100 wires must be fixed to avoid any mechanical stress on the connectors.

Failure to follow these instructions will result in death or serious injury.

Power Supply Connection

⚠ WARNING

HAZARD OF PARTIAL DISCHARGE NOT BEING MONITORED

- The PD100 must not be connected on a distributed power network.
- No dielectric test must be done on the PD100 power supply connection.

Failure to follow these instructions can result in death, serious injury, or equipment damage.

NOTICE

HAZARD OF IMPROPER POWER SUPPLY

The PD100 must be connected onto a dedicated power supply.

Failure to follow these instructions can result in equipment damage.

A dedicated power supply must be used to supply electrical power to the PD100. The power supply must not be used to provide power to any other devices as this could cause interference. This LV power supply is used as part of the isolation of the equipment of the PD100 from other devices.

Connect the PD100 onto a dedicated power supply with the following specifications:

- Overvoltage category 3
- Complying with extra-low voltage (ELV) or safety extra-low voltage (SELV) regulation

The PD100 power supply is not insulated from earth.

Connection of PD100 to Coupling Element

⚡⚠ DANGER

HAZARD OF ELECTRIC SHOCK

The capacitive coupling element value must be between 15 pF and 40 pF.

Failure to follow these instructions will result in death or serious injury.

Connect the coupling element connector to the capacitive coupling element (L1, L2, L3).

Connect the earth wire as close as possible to the coupling element connector.

Use a wire with the following characteristics:

- H05V or H07V type (or equivalent following local regulations) with a 1 mm² conducting cross sectional area and an overall external diameter (including the insulation) between 2.5 mm² and 2.9 mm² (0.003 in² and 0.004 in²).
- Minimum dielectric withstand performance of 2 kV rms for 1 minute.

The connecting leads can be all black with a means of identifying the phase connection or they can be colored wires complying with local standards identifying the phases.

Use a Molex Minifit Jr. range 5557 four pin plug housing (recommended) or a 39-01-4040 or a 39-01-4041 model.



Use a type 5556 female pin. Select the exact pin depending on the wire used.



Check the following requirements:

- The length of the connecting lead between the PD100 and the coupling element does not exceed 3 meters.
- The connecting lead does not have excess lead length.
- Any excess lead is not bundled up.
- The different connecting leads are designed and validated for each position of the PD100 in each cubicle type.

Routing

Do not include the PD100 connecting leads nor bundle them into any control or power harnesses.

Keep the PD100 connecting leads separate from control or power harnesses.

Check that the PD100 connecting leads do not pass close to motors.

Check that the PD100 connecting leads do not pass close to the wiring for the control of motors.

Keep the PD100 connecting leads as close as possible to flat metal surfaces.

VDIS Connection

⚠ DANGER

HAZARD OF EQUIPMENT DAMAGE

- Do not connect other devices than a Schneider Electric VDIS unit on this connector.
- Fix the wires correctly, to avoid any mechanical stress on the wires.

Failure to follow these instructions will result in death or serious injury.

Use a four pin plug housing type Molex connector ref. 43025-048.



Use a female pin type 43030. Select the exact pin depending on the wire used.

Diagnostic Connection

⚠ CAUTION

HAZARD OF ELECTRIC SHOCK OR PRODUCT DAMAGE

Do not use the front face connector dedicated to Schneider Electric tool connection for any other purposes than diagnostics tests by trained Schneider Electric personnel.

Failure to follow these instructions can result in injury or equipment damage.

On demand, diagnostics can be made by a Schneider Electric Field Service Representative using additional devices and sensors. PC and portable devices can be connected to the installed PD100 to make temporary measurements.

Contact Schneider Electric for further information.

Operation

Cybersecurity

Zigbee network security is managed by the trust center of the network. PD100 Zigbee communication security depends on the security level of the chosen trust center and concentrator. For a general introduction to cybersecurity threats and how to address them, see *How Can I Reduce Vulnerability to Cyber Attacks*. For more information about cybersecurity, visit the Schneider Electric Cybersecurity Support Portal.

Commissioning

Refer to the user guide of the Zigbee concentrator to configure your system.

Before proceeding with pairing, check that the concentrator has the latest available firmware version.

Pair the PD100 with EcoStruxure Panel Server gateways or other Schneider Electric gateways. For detailed information about pairing the devices, see *DOCA0172EN EcoStruxure Panel Server - User Guide* for Panel Server gateway or the user guide of the relevant gateway.

Proceed as follows to connect to an existing Zigbee network:

1. Check that the device is in Zigbee factory reset state.
2. Open the network on the coordinator side. The exact procedure depends on the coordinator device being used. Refer to its documentation for instructions.
3. While the network is opened, press the Zigbee button. The Zigbee LED starts blinking in yellow while searching for the network to join.

NOTE: PD100 searches a network for the next three minutes and returns to the Zigbee factory reset state if none is found.

4. When the Zigbee LED turns fixed green, PD100 has successfully joined the network.

NOTE: PD100 automatically enters the set-up mode after joining the network. The Zigbee LED remains fixed green while PD100 is in set-up mode and turns off when it exits this mode.

NOTE: After the PD100 joins a network, it automatically enters the test mode for a duration of three minutes. In this mode, the PD100 performs acquisitions at an accelerated rate.

Factory Reset

Zigbee factory reset restores PD100 to the following state:

- Disconnection of the PD100 from the Zigbee network.
- Clearing of binding table.
- Restoration of default reporting configuration.
- Restoration of cluster attributes to their default value.

Follow this procedure to perform a Zigbee factory reset:

1. Verify the Zigbee LED status. If it is yellow, the device is already in factory reset state and no other action is required.
2. If the Zigbee LED is not yellow, press the Zigbee button for at least eight seconds and until the Zigbee LED turns fixed red. The factory reset operation is initiated on the PD100.
3. Wait until the Zigbee LED turns yellow (after approximately two seconds).

Result: The PD100 is in Zigbee factory reset state.

Communication Lost

The PD100 has lost communication with the Panel Server or gateway for more than 15 minutes when:

- The operation LED is green (blinking or fixed).
- The network status LED flashes red.

The PD100 periodically monitors its communication state with the coordinator in accordance with product specifications. At any time, if communication is lost with the coordinator, the Zigbee LED starts fast-blinking in red.

NOTE: If the PD100 detects a communication loss with the coordinator, it may take up to five minutes before the PD100 updates its status if communication with the coordinator is restored.

Unpairing the PD100

To manually unpair the PD100:

1. Press the operation button for more than 8 s.
2. When the network status LED turns fixed orange, release the button.

To pair the PD100 to a Panel Server or gateway, see [how to connect an existing Zigbee network](#), page 23.

Diagnostic Mode

In diagnostic mode, the PD100 does not monitor the cubicle.

 **DANGER**

HAZARD OF ELECTRIC SHOCK

The diagnostic must be made by skilled personnel from Schneider Electric, using additional devices and sensors. To make a diagnostic, contact Schneider Electric.

Failure to follow these instructions will result in death or serious injury.

Maintenance

DANGER

HAZARD OF ELECTRIC SHOCK, EXPLOSION, OR ARC FLASH

- Electrical equipment must be installed, operated, serviced, and maintained only by qualified personnel.
- Apply appropriate personal protective equipment (PPE) and follow safe electrical work practices. See standards or local equivalent.
- Perform work only after reading and understanding all of the instructions contained in this guide.
- Turn off all power supplying the system before working on or inside the system.
- Respect the LOTO (Lock Out Tag Out) procedure.
- Always use a properly rated voltage sensing device to confirm that power is off.
- Do not modify any mechanical or electrical parts.
- Do not use solvents or alcohol for cleaning the equipment.

Failure to follow these instructions will result in death or serious injury.

The PD100 does not require any specific maintenance.

After each maintenance operation on the VDIS or coupling element or on any equipment close to the PD100 and wires, check the following points:

- The coupling element connector is correctly latched.
- The VDIS connector is correctly latched.
- The wires are correctly fixed.

Troubleshooting

If the system LED is red, contact your local Schneider Electric representative for assistance.

Radio Frequency Compliance

EU Declaration of Conformity

Hereby, Schneider Electric Industries SAS declares that the PD100 is in compliance with the essential requirements and other relevant provisions of RED Directive 2014/53/EU.

The EU BE20042401 declaration of conformity can be downloaded on www.se.com/docs.

- IEEE 802.15.4 operating frequency: 2,405-2,480 MHz
- Maximum radio-frequency power transmitted: < 10 mW

FCC Notice

This device complies with Part 15 of the FCC Rules. Operation is subject to the following two conditions:

- This device may not cause harmful interference, and
- this device must accept any interference received, including interference that may cause undesired operation.

NOTE: This equipment has been tested and found to comply with the limits for a Class A digital device, pursuant to part 15 of the FCC Rules. These limits are designed to provide reasonable protection against harmful interference when the equipment is operating in a commercial environment. This equipment generates, uses, and can radiate radiofrequency energy and, if not installed and used in accordance with the instruction manual, may cause harmful interference to radio communications. Operation of this equipment in a residential area is likely to cause harmful interference in which case the user will be required to correct the interference at his own expense.

FCC Caution:

Any changes or modifications not expressly approved by the party responsible for compliance could void the user's authority to operate this equipment.

This device must not be co-located or operating in conjunction with any other antenna or transmitter.

Radiation Exposure Statement:

This equipment complies with FCC radiation exposure limits set forth for an uncontrolled environment. This equipment should be installed and operated with minimum distance 20 cm (7.87 in) between the radiator and your body.

NOTE: The country code selection is for non-US model only and is not available to all US models. Per FCC regulation, all Wi-Fi product marketed in US must be fixed to US operation channels only.

Industry Canada Certification

Industry Canada Statement

This device complies with RSS-247 of the Industry Canada Rules. Operation is subject to the following two conditions: (1) This device may not cause harmful interference, and (2) this device must accept any interference received, including interference that may cause undesired operation.

Déclaration d'Industrie Canada

Ce dispositif est conforme à la norme CNR-247 d'Industrie Canada applicable aux appareils radio exempts de licence. Son fonctionnement est sujet aux deux conditions suivantes : (1) le dispositif ne doit pas produire de brouillage préjudiciable, et (2) ce dispositif doit accepter tout brouillage reçu, y compris un brouillage susceptible de provoquer un fonctionnement indésirable.

Radiation Exposure Statement:

This equipment complies with IC radiation exposure limits set forth for an uncontrolled environment.

This equipment should be installed and operated with minimum distance 20 cm between the radiator & your body.

Déclaration d'exposition aux radiations :

Cet équipement est conforme aux limites d'exposition aux rayonnements IC établies pour un environnement non contrôlé.

Cet équipement doit être installé et utilisé avec un minimum de 20 cm de distance entre la source de rayonnement et votre corps.

Schneider Electric Green Premium™ Ecolabel

Description

Green Premium by Schneider Electric is a label that allows you to develop and promote an environmental policy while preserving your business efficiency. This ecolabel is compliant with up-to-date environmental regulations.



Accessing Green Premium

Green Premium data on labeled products can be accessed online through any of the following ways:

- By navigating to the Green Premium page on the Schneider Electric website.
- By flashing the QR code displayed in the following image:



Checking Products Through the Schneider Electric Website

To check the environmental criteria of a product using a PC or smartphone, follow these steps:

1. From www.se.com, select **Support > Green Premium: RoHS, REACH**.
2. Find **Check a Product** and click **Launch now** to open the search tool webpage.
3. Enter the commercial reference or product range of the product to search for.
4. To search for several products simultaneously, click the **Add** button, and then fill in the field.
5. Click **Check product(s)** to generate a report of the environmental criteria available for the products with the entered commercial references.

Environmental Criteria

The Green Premium ecolabel provides documentation on the following criteria about the environmental impact of the products:

- RoHs: European Union Restriction of Hazardous Substances (RoHS) directive.
- REACH: European Union Registration, Evaluation, Authorization, and Restriction of Chemicals regulation.
- PEP: Product Environmental Profile.
- EoLI: End of Life Instructions.

RoHS

Schneider Electric products are subject to RoHS (Restriction on the use of Hazardous Substances) requirements at a worldwide level, even for the many products that are not required to comply with the terms of the regulation. Compliance certificates are available for products that fulfill the criteria of this European initiative, which aims to eliminate hazardous substances.

REACH

Schneider Electric applies the strict REACH (Registration, Evaluation, Authorisation and Restriction of Chemicals) regulation on its products at a worldwide level, and discloses extensive information concerning the presence of SVHC (Substances of Very High Concern) in all of these products.

PEP

Schneider Electric publishes complete set of environmental data, including carbon footprint and energy consumption data for each of the life cycle phases on all of its products, in compliance with the ISO 14025 PEP ecopassport program. PEP (Profil Environnemental Produit) is especially useful for monitoring, controlling, saving energy, and/or reducing carbon emissions.

EoLI

These End of Life Instructions provide:

- Recyclability rates for Schneider Electric products.
- Guidance to mitigate personnel hazards during the dismantling of products and before recycling operations.
- Part identification for recycling or for selective treatment, to mitigate environmental hazards/incompatibility with standard recycling processes.

Schneider Electric
35 rue Joseph Monier
92500 Rueil Malmaison
France

+ 33 (0) 1 41 29 70 00

www.se.com

As standards, specifications, and design change from time to time,
please ask for confirmation of the information given in this publication.

© 2022 Schneider Electric. All rights reserved.

GEX5968601-00