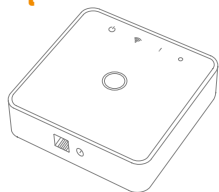


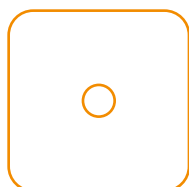
Squid.link 2B/2X



INSTALLATION MANUAL

MGW211 and MGW221

Version 1.5



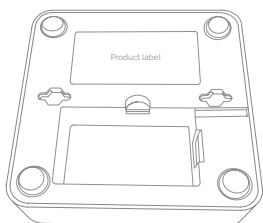
Product description

This all-in-one gateway connects smart devices and provides you with monitoring and control functionalities via your smart system. As the gateway is simple to install, you can quickly start to use your smart system and enjoy the connected life.

Precautions

- Do not remove the product label as it contains important information.

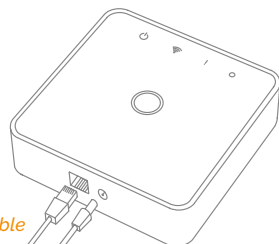
a.



Getting started

1. Connect the power cable to the gateway.
2. Connect the power adapter to a wall socket.
3. Connect an Ethernet cable from the gateway to an internet-connected home router.

b.



Ethernet cable

Power cable

4. The LEDs on the front panel are turned on when the system is booting.
5. The LEDs in the Ethernet connector are turned on and the green LED starts flashing indicating data communication.
6. After a few minutes, the application is started and the system is ready for use.

Insert sim card

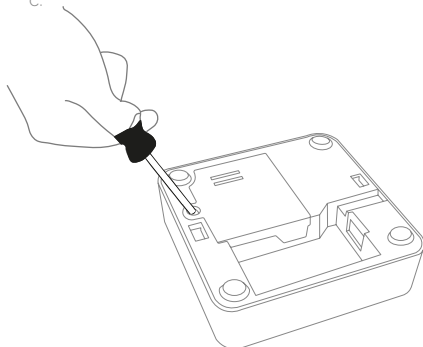
If you have a single sim card and no battery backup:

- Simple insert the sim card into the card slot on the bottom of the gateway.

If you have dual sim and/or battery backup:

1. Open the battery compartment of the gateway with a screwdriver.

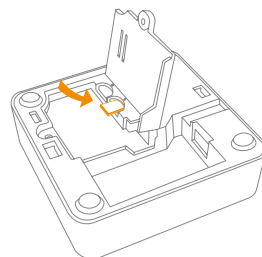
c.



2. Remove the battery from the compartment. It is not necessary to disconnect the battery for this.

3. Insert one or two sim cards into the card slots. If you have only one sim card, insert it into the slot marked as 1.

d.



4. Put the battery back into its place.

5. Close the battery compartment and reattach the screw to fasten it.

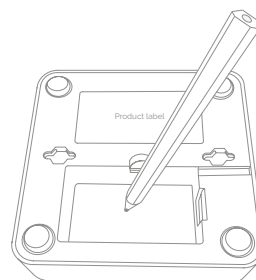
Resetting

Reset the gateway to avoid abnormal behavior by removing the power supply for a few minutes before reapplying it. In case the gateway does not start up, follow the steps below to reset the gateway to the factory setting.

STEPS FOR RESETTING

1. Use a pen and hold down the reset button as indicated in the picture.

e.



2. Release the pen again when the LED on the front panel starts to flash continuously.
3. The system will reboot and after a few minutes the application will be started again.

Battery replacement

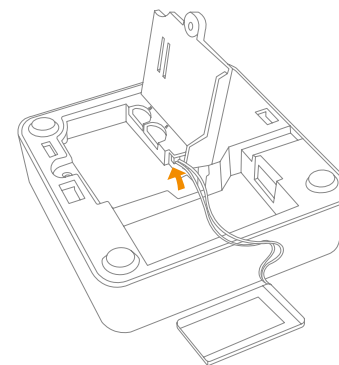
If your gateway includes a battery backup, you can replace the battery in the following way.

CAUTION: RISK OF EXPLOSION IF BATTERIES ARE REPLACED BY AN INCORRECT TYPE. DISPOSE OF THE BATTERIES IN ACCORDANCE WITH INSTRUCTIONS.

CAUTION: When removing cover for battery change - Electrostatic Discharge (ESD) can harm electronic components inside

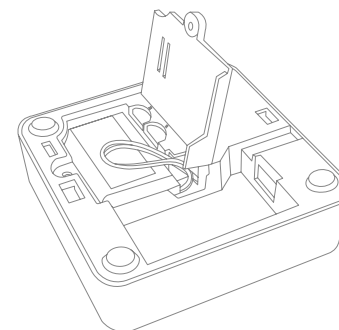
1. Open the battery compartment of the gateway with a screwdriver.
2. Remove the battery from its place within the compartment.
3. Disconnect the battery and connect the new one. The gateway uses a Li Pol (3,8 V / 2000 mA) battery.

f.



4. Insert the new battery in its space in the compartment and tuck the cables over or under the battery.

g.



5. Close the battery compartment and reattach the screw to fasten it.

Disposal

- Dispose the product properly at the end of life. This is electronic waste which should be recycled.
- This gateway optionally includes a Lithium battery. Please dispose of the battery according to your local regulations.

CE certification

The CE mark affixed to this product confirms its compliance with the European Directives which apply to the product and, in particular, its compliance with the harmonized standards and specifications.

To comply with RF exposure requirements, a minimum separation distance of 30cm must be maintained between the user's body and the handset, including the antenna.

The radio equipment type [MGW211/MGW221] is in compliance with Directive 2014/53/EU. The full text of the EU declaration of conformity is available at the Official Website.



IN ACCORDANCE WITH THE DIRECTIVES

- Radio Equipment Directive (RED) 2014/53/EU
- EMC Directive 2014/30/EU
- RoHS Directive 2015/863/EU amending 2011/65/EU

Other certifications

- Zigbee 3.0 certified.



FCC Regulatory Compliance

This device complies with Part 15 of the FCC Rules. Operation is subject to the following two conditions:

1. This device may not cause harmful interference, and
2. this device must accept any interference received, including interference that may cause undesired operation.

Changes or modifications not expressly approved by the party responsible for compliance could void the user's authority to operate the equipment.

NOTE: This equipment has been tested and found to comply with the limits for a Class B digital device, pursuant to Part 15 of the FCC Rules. These limits are designed to provide reasonable protection against harmful interference in a residential installation. This equipment generates, uses and can radiate radio frequency energy and, if not installed and used in accordance with the instructions, may cause harmful interference to radio communications. However, there is no guarantee that interference will not occur in a particular installation.

If this equipment does cause harmful interference to radio or television reception, which can be determined by turning the equipment off and on, the user is encouraged to try to correct the interference by one or more of the following measures:

- Reorient or relocate the receiving antenna.
- Increase the separation between the equipment and receiver.
- Connect the equipment into an outlet on a circuit different from that to which the receiver is connected.
- Consult the dealer or an experienced radio/TV technician for help.

This equipment complies with FCC radiation exposure limits set forth for an uncontrolled environment. This equipment should be installed and operated with minimum distance 20cm between the radiator and your body. This transmitter must not be co-located or operating in conjunction with any other antenna or transmitter.

ISED Regulatory Compliance

English

This device contains licence-exempt transmitter(s)/receiver(s) that comply with Innovation, Science and Economic Development Canada's licence-exempt RSS(s). Operation is subject to the following two conditions:

1. This device may not cause interference.
2. This device must accept any interference, including interference that may cause undesired operation of the device.

This equipment complies with IC RSS102 radiation exposure limits set forth for an uncontrolled environment. This equipment should be installed and operated with minimum distance 20cm between the radiator and your body.

Français

L'émetteur/récepteur exempt de licence contenu dans le présent appareil est conforme aux CNR d'Innovation, Sciences et Développement économique Canada applicables aux appareils radio exempts de licence. L'exploitation est autorisée aux deux conditions suivantes:

1. L'appareil ne doit pas produire de brouillage;
2. L'appareil doit accepter tout brouillage radioélectrique subi, même si le brouillage est susceptible d'en compromettre le fonctionnement.

Cet équipement est conforme aux limites d'exposition aux radiations IC CNR102 établies pour un environnement non contrôlé. Cet équipement doit être installé et utilisé avec une distance minimale de 20cm entre le radiateur et votre corps.

Wireless communication

Zigbee:

Frequency: 2.4 GHz(2405-2480MHz)

Output power: Up to +3.55 dBm "Declaration for EU Compliance"

WLAN:

Frequency: 2.4 GHz(2412-2472MHz for

EU/2412-2462MHz for US)

Output power: Up to +17.16 dBm "Declaration for EU Compliance"

Z-Wave:

Frequency: 868.4MHz/869.85MHz (for EU),

908.4MHz/916MHz (for US)

Output power: Up to +9.99 dBm "Declaration for EU Compliance"

Wireless M-Bus:

Frequency: 868.98MHz

Output power: Up to +9.99 dBm "Declaration for EU Compliance"

Bluetooth Low Energy:

Frequency: 2.4 GHz(2402-2480MHz)

Output power: Up to +4.35 dBm "Declaration for EU Compliance"

Distributed by Develco Products A/S

Tangen 6

8200 Aarhus N

Denmark

www.develcoproducts.com

All rights reserved.

Develco Products assumes no responsibility for any errors, which may appear in this manual. Furthermore, Develco Products reserves the right to alter the hardware, software, and/or specifications detailed herein at any time without notice, and Develco Products does not make any commitment to update the information contained herein. All the trademarks listed herein are owned by their respective owners.

Copyright © Develco Products A/S