

6

5

4

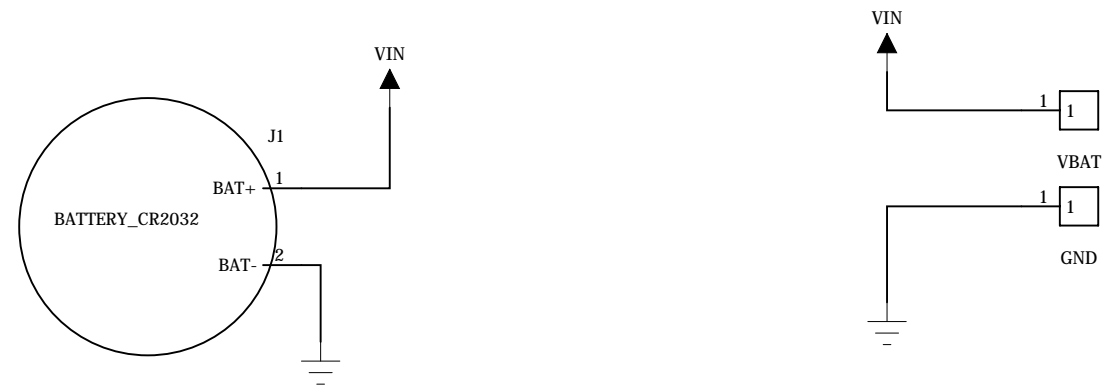
3

2

1

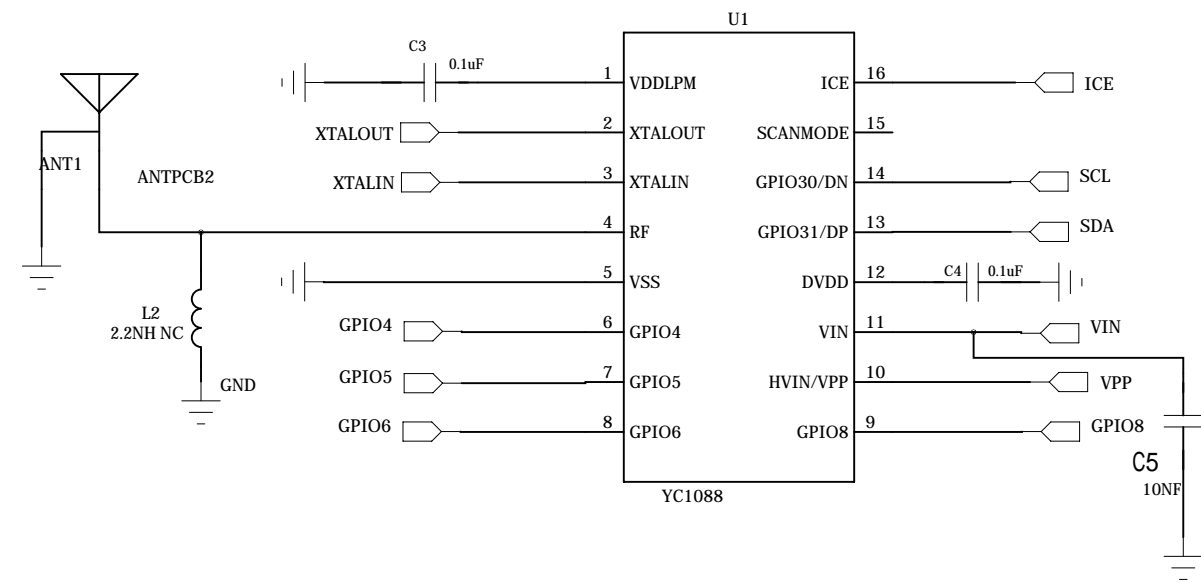
REVISION RECORD			
LTR	ECO NO:	APPROVED:	DATE:

D

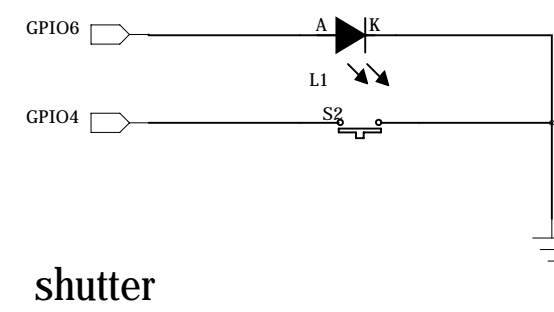


D

C

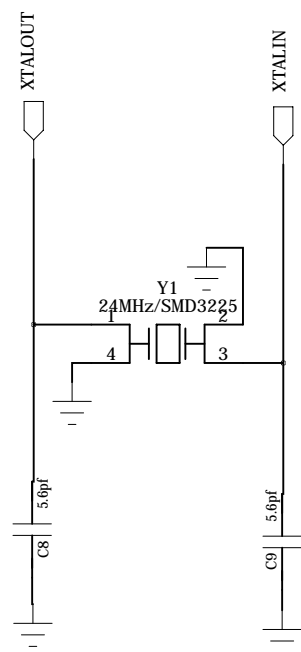


C



B

B



A

A

