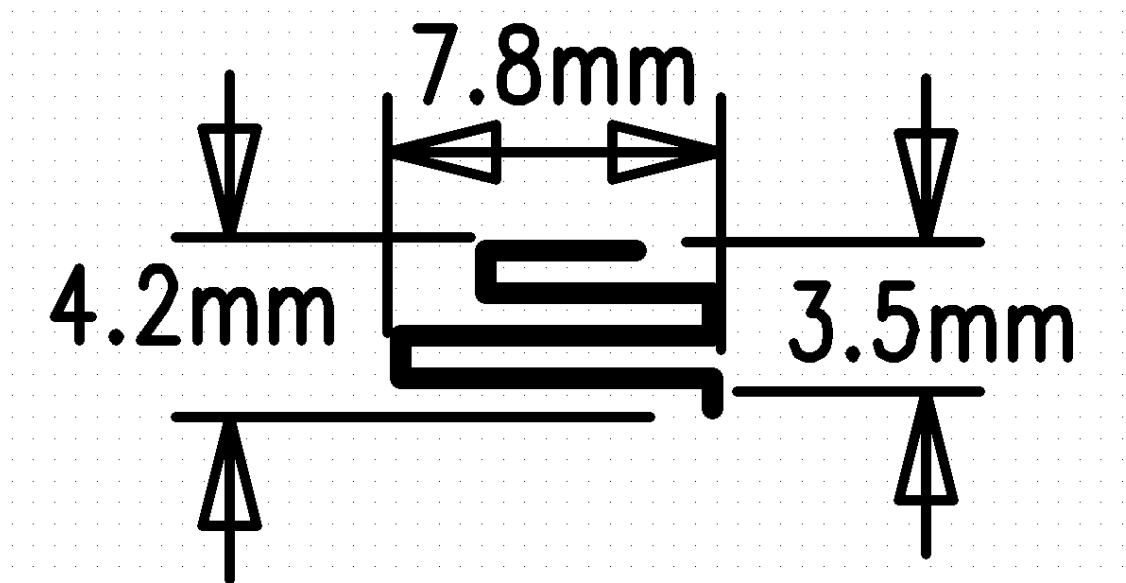


Inverted F Antenna Specification

Summary

| ITEM | ANT SPEC | | | | | |
|----------------------|-------------------------|---------|---------|----------|---------|---------|
| Model Name | 2.4G ANT | | | | | |
| Center Frequency | Horizontal | | | Vertical | | |
| | 2400MHz | 2400MHz | 2500MHz | 2400MHz | 2400MHz | 2500MHz |
| | -1.73 | -0.84 | -0.68 | -6.15 | -3.70 | -2.32 |
| MAX. Gain | -0.68 | | | | | |
| Polarization | Horizontal and Vertical | | | | | |
| Azimuth Beam Pattern | Omni-directional | | | | | |
| Impedance | 50 Ohm | | | | | |
| Antenna Length | 38.20mm | | | | | |

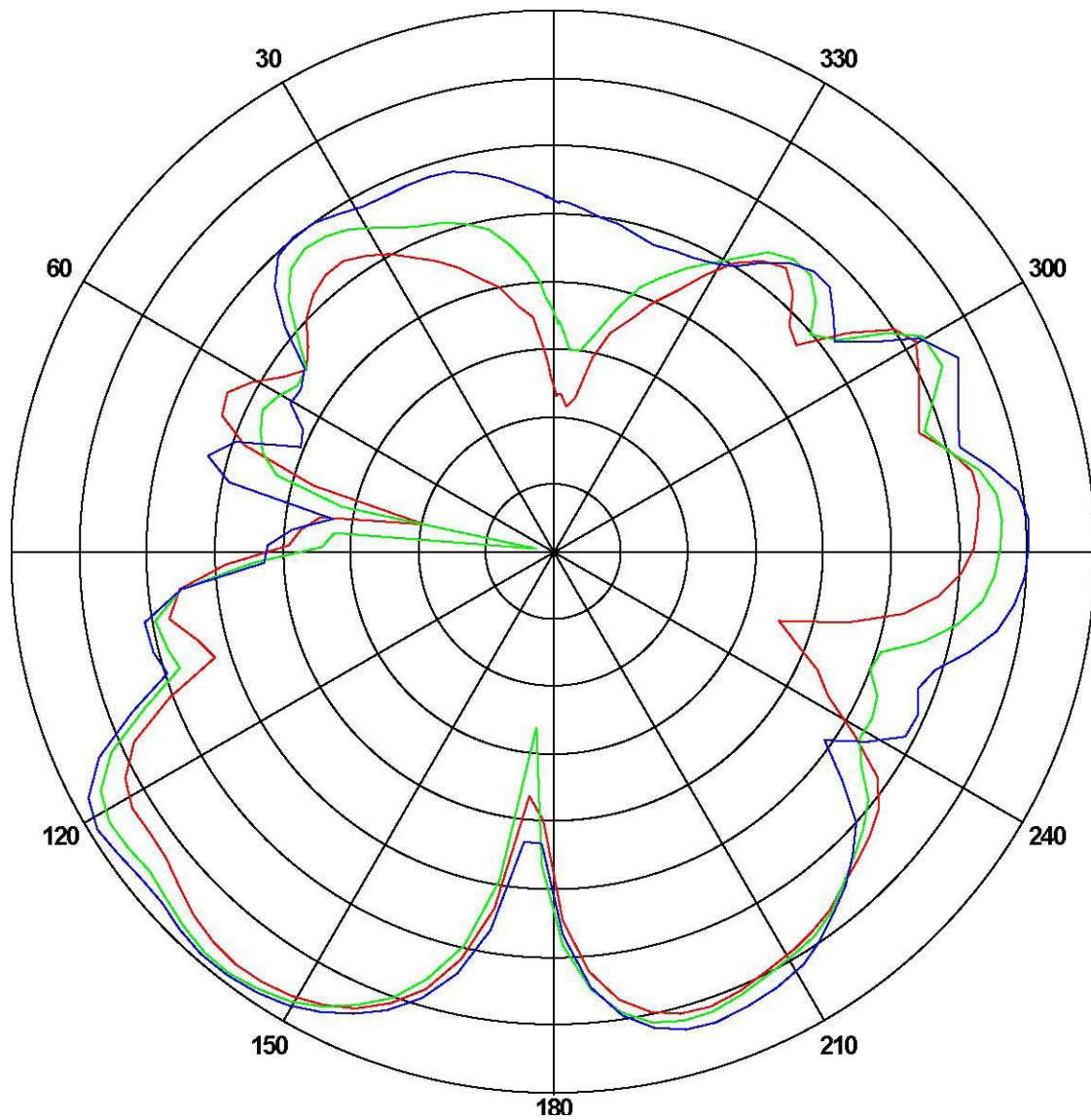
Antenna Photo & Length (mm)



Horizontal: 2400 MHz 2450 MHz 2500 MHz

Power (dBm)

Max: 0 Min: -40 Scale: 5/div

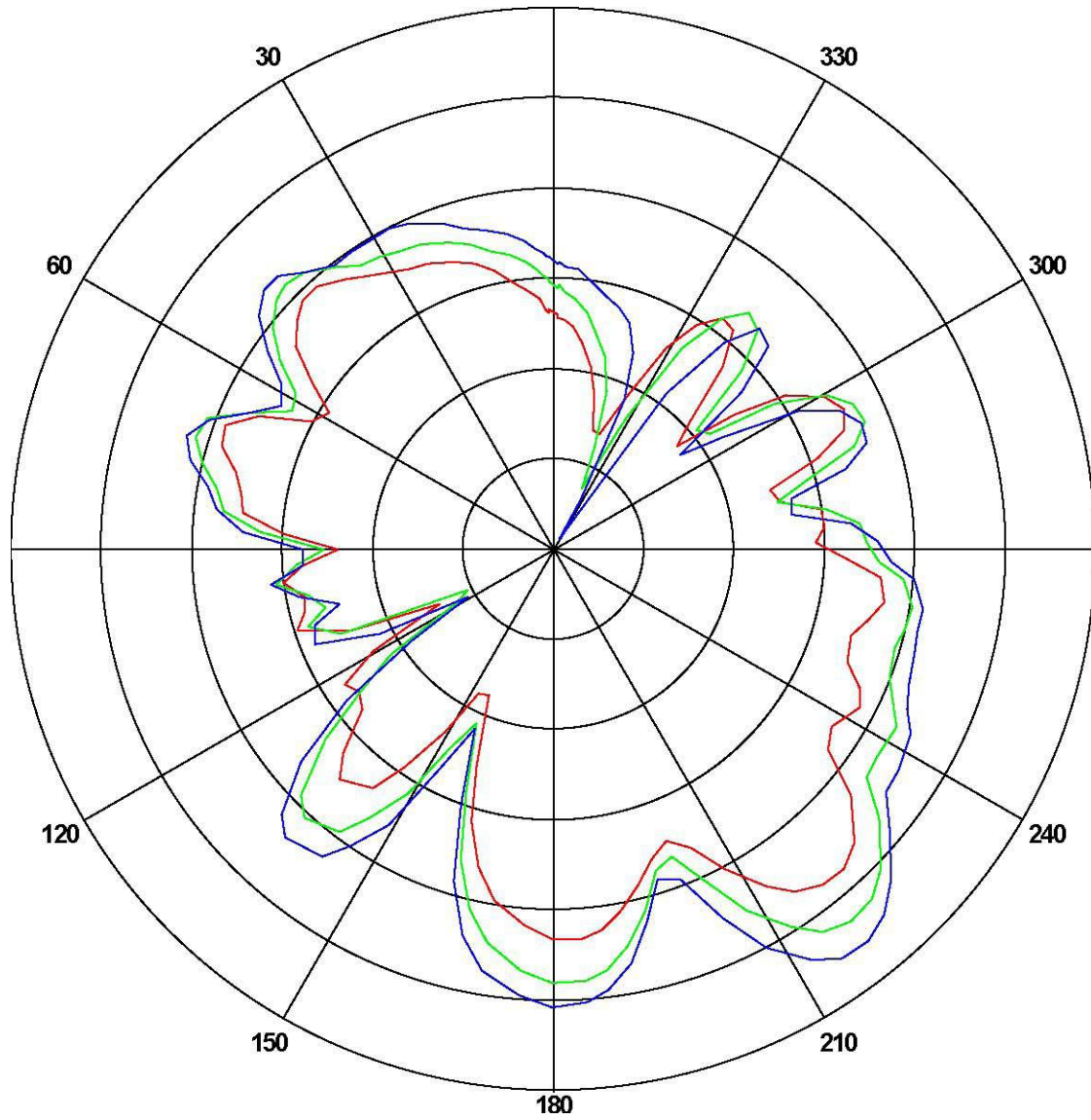


| Frequency (MHz) | Gain(dB) | | |
|--------------------|-----------|----------|----------|
| | Max | Min | Avg |
| 2400 | -1.73178 | -30.0815 | -8.48713 |
| 2450 | -0.845801 | -38.5605 | -7.88012 |
| 2500 | -0.685586 | -24.0318 | -6.79139 |

Vertical: 2400 MHz 2450 MHz 2500 MHz

Power (dBm)

Max: 0 Min: -30 Scale: 5/div



| Frequency (MHz) | Gain(dB) | | |
|-----------------|----------|----------|----------|
| | Max | Min | Avg |
| 2400 | -6.1530 | -24.1420 | -13.0295 |
| 2450 | -3.7054 | -26.5836 | -10.6700 |
| 2500 | -2.32122 | -30.4301 | -9.70536 |

ANT Test Labs: Attestation of Global Compliance Co., Ltd.