

BYTECH®
THE ART OF TECHNOLOGY

BY-AD-BT-100-BK



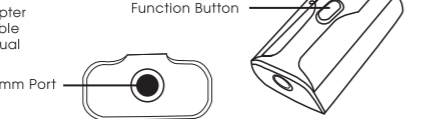
 **Bluetooth**
AUDIO ADAPTER
Converts AUX Enabled Devices to Bluetooth®

Notice

Please read user manual carefully and keep it for your records.

Package includes

- 1- Bluetooth® Adapter
- 1- 3.5 mm Aux Cable
- 1- Instruction Manual



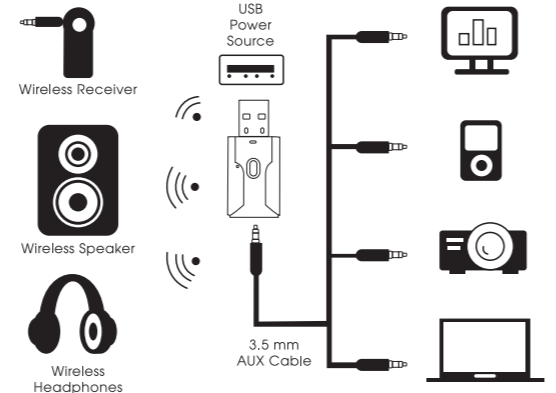
Warnings

- Do not let small children play this product.
- Do not expose this product to liquid, moisture or humidity to avoid the product's internal circuit being affected.
- Do not use abrasive cleaning solvents to clean the product.
- Store the product out of direct sunlight and extreme temperatures (above 45°C/113°F or below -10°C/- 14°F), as this may shorten the circuitry life, affect the operation or degrade the performance of your product.
- Do not dispose of the product in a fire as it might result in an explosion.
- Do not expose the product to sharp objects as this will cause scratches and damage.
- Do not drop the product. This may cause damage to the internal circuitry.
- Do not attempt to disassemble the product, it may cause damage to the internal circuitry.
- This appliance is for indoor use only. Please do not use or store the unit in high temperature or hazardous locations. Do not submerge the unit into water, this will ruin the product.
- The warranty for this product is invalidated if the product has been tampered, repaired or modified in any way.

Functions

When the product is powered on, it is by default in the Broadcast Mode, the red indicator light flashes quickly. To switch to Receive Mode, long press the Function Button, and the blue indicator light will flash rapidly.

Broadcast Mode



In Broadcast Mode, the device will plug into an audio source via 3.5 mm Audio Cable and broadcast the sound to a Bluetooth® compatible device.

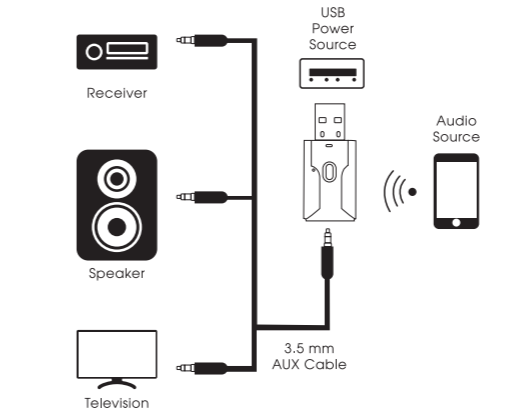
Broadcast Mode

1. Plug the device into the USB port of a power supply (such as a TV, a computer, a mobile phone charger or a USB charging port.) The device will automatically turn on, and the indicator light will flash red flashes quickly to indicate that it is ready to pair with your wireless audio player.
2. Insert the 3.5mm audio cable into the 3.5mm audio port on the Audio Adapter, and insert the other end of the audio cable into the audio output interface of the Audio Source (the device's headphone output port)
3. Turn on the audio receiving device (such as wireless headphones) to the pairing state, the device will be paired automatically, and when the pairing is successful, the red indicator light will stop flashing and remain steady.
4. If it is not the wireless device you want to connect to, you can quickly search for the next wireless audio receiving device by briefly pressing the function button on the device.

Receive Mode

1. Plug the device into the USB port for power supply (5V USB interface), the device will automatically turn on, the device will light red indicator light and flash quickly, long press the Function Button, the indicator light will switch to blue to indicate that it is ready to pair with your wireless audio source.
2. Insert the 3.5mm audio cable into the 3.5mm audio port on the device, and insert the other end of the audio cable into the AUX port of the playback device (receiver, speaker, etc.);
3. Turn on the Bluetooth® function of the mobile phone (or computer), search for the surrounding wireless devices, find a device named "BY-BT-100" in the search results, find it and connect to it. After the pairing is successful, the indicator light on the wireless receiver will stay constantly lit. When you have a coming call, you can press the Function button to answer the call hands-free.

Receive Mode



In Broadcast Mode, the device will plug into an audio receiver via 3.5 mm Audio Cable and receive the sound from a Bluetooth® compatible device.

FCC Statement

This device complies with part 15 of the FCC rules. Operation is subject to the following two conditions (1) this device may not cause harmful interference, and (2) this device must accept any interference received, including interference that may cause undesired operation.
Warning: Changes or modifications not expressly approved by the party responsible for compliance could void the user's authority to operate the equipment.

This equipment has been tested and found to comply with the limits for a Class B digital device, pursuant to Part 15 of the FCC Rules. These limits are designed to provide reasonable protection against harmful interference in a residential installation. This equipment generates uses and can radiate radio frequency energy and, if not installed and used in accordance with the instructions, may cause harmful interference to radio communications. However, there is no guarantee that interference will not occur in a particular installation. If this equipment does cause harmful interference to radio or television reception, which can be determined by turning the equipment off and on, the user is encouraged to try to correct the interference by one or more of the following measures:

- Reorient or relocate the receiving antenna.
- Increase the separation between the equipment and receiver.
- Connect the equipment into an outlet on a circuit different from that to which the receiver is connected.
- Consult the dealer or an experienced radio/TV technician for help.

This equipment complies with FCC radiation exposure limits set forth for an uncontrolled environment. This equipment should be installed and operated with a minimum distance of 20cm between the radiator & your body. This transmitter must not be co-located or operating in conjunction with any other antenna or transmitter.

FCC ID: 2AHN6-ADBT100

Warranty

Bytech NY INC. warrants this product to be free from defects in materials and workmanship to the original purchaser for a period of 2 years from the original purchase date. Bytech's responsibility with regard to this limited warranty shall be limited solely to repair or replacement of any product which fails during normal consumer use. This warranty does not extend to damage or failure which results from misuse, neglect, accident, alteration, abuse, improper installation or lack of maintenance. If at any time during the 2 year period following the purchase, the product fails due to defects in material or workmanship, return the defective product (with freight prepaid) and include the proof of purchase. Additionally, please enclose \$5.00 for return shipping and handling. All trademarks and copyrights are property of their respective owners.

©2020 BYTECH NY INC.
BYTECH™ is a registered trademark of Bytech NY INC.
All Trademarks and copyrights are the property of the respective companies. Photos are for illustration purposes only.

BYTECH
Contact Info:
2585 West 13th Street,
Brooklyn, NY 11223
www.bytechintl.com
© 2020 BYTECH NY INC.
