

ESP-01F PCB

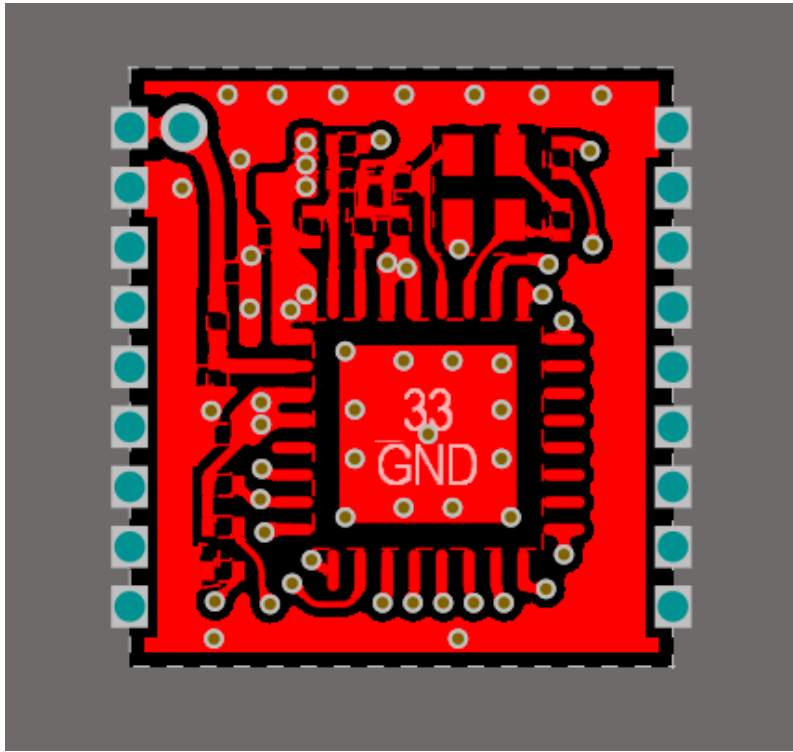


Figure 1 ESP-01F PCB Top Layer

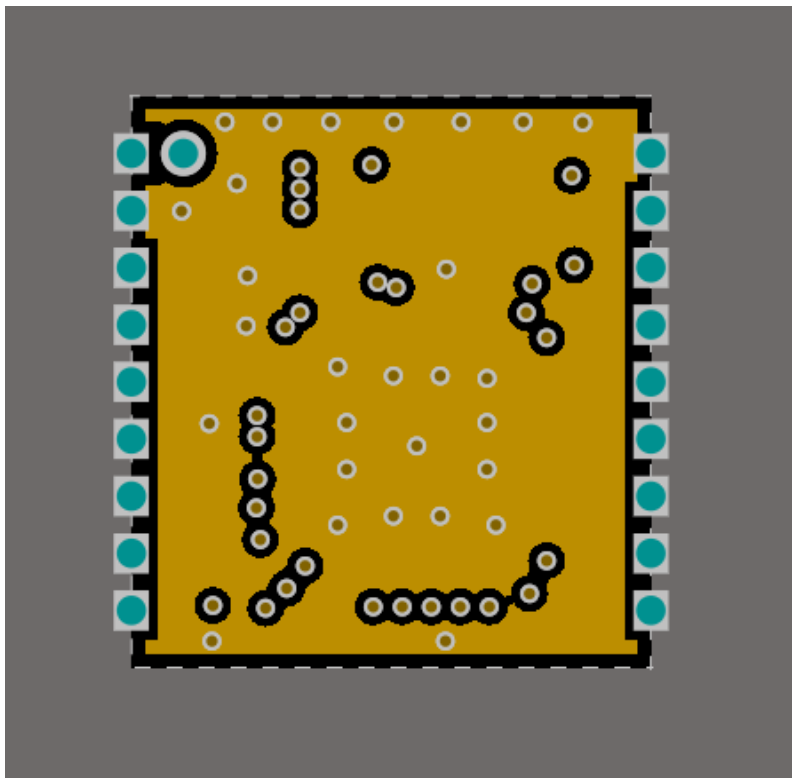


Figure 2 ESP-01F PCB GND Layer

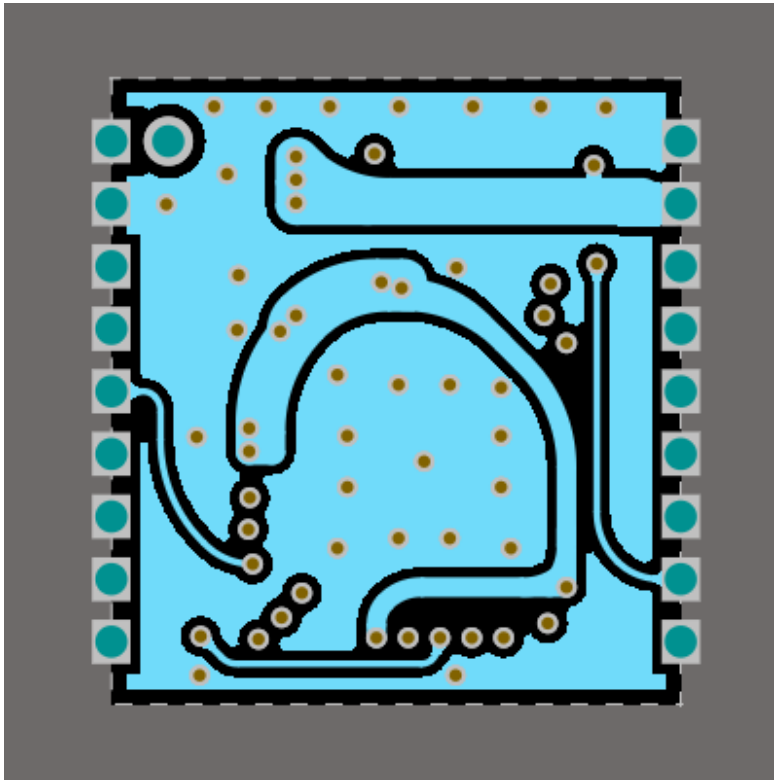


Figure 3 ESP-01F PCB POWER Layer

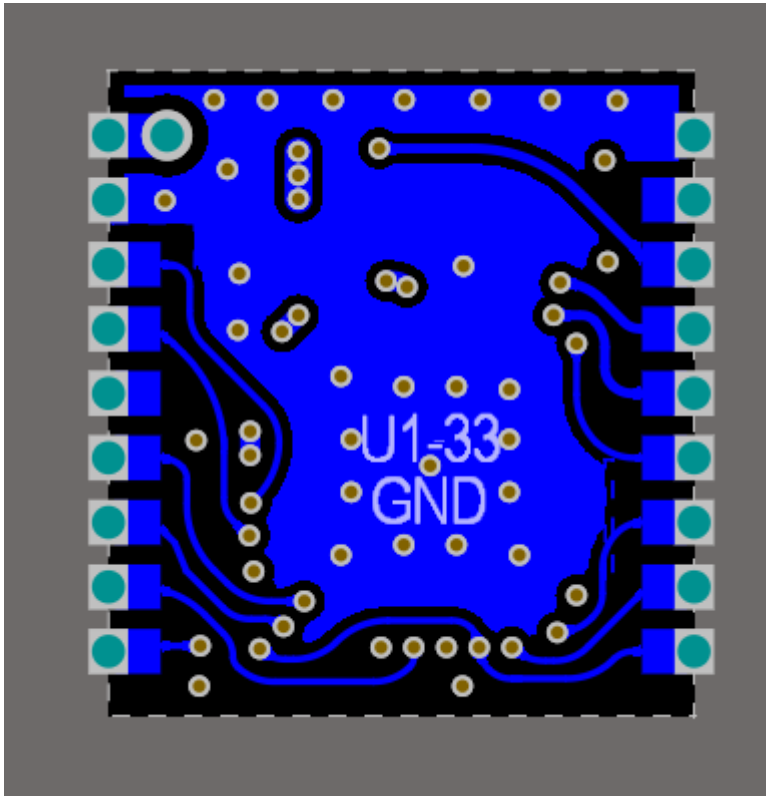


Figure 4 ESP-01F PCB Bottom Layer