

ESP-01F Module Block Diagram

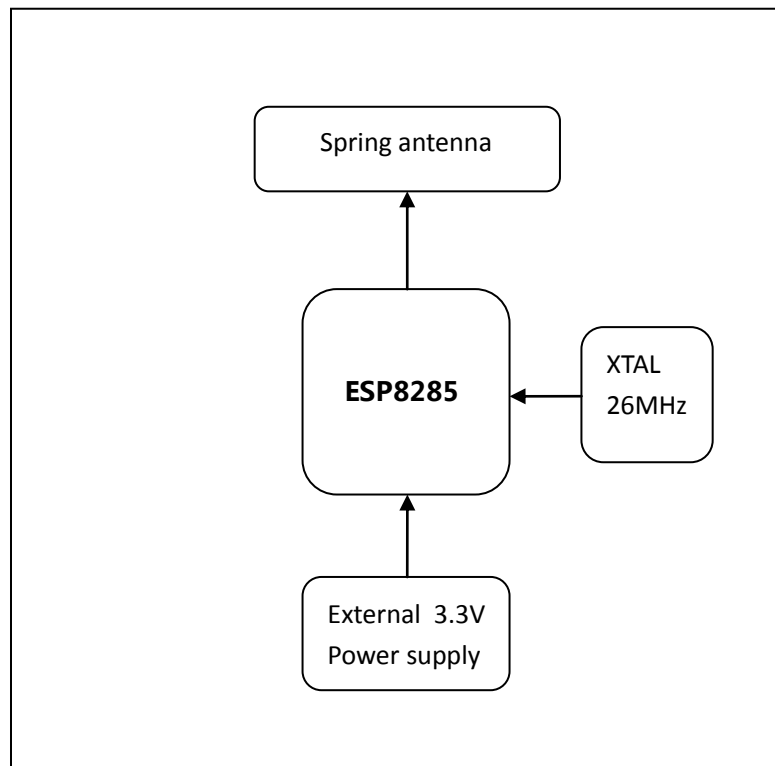


Figure 1 ESP-01F Module Block Diagram

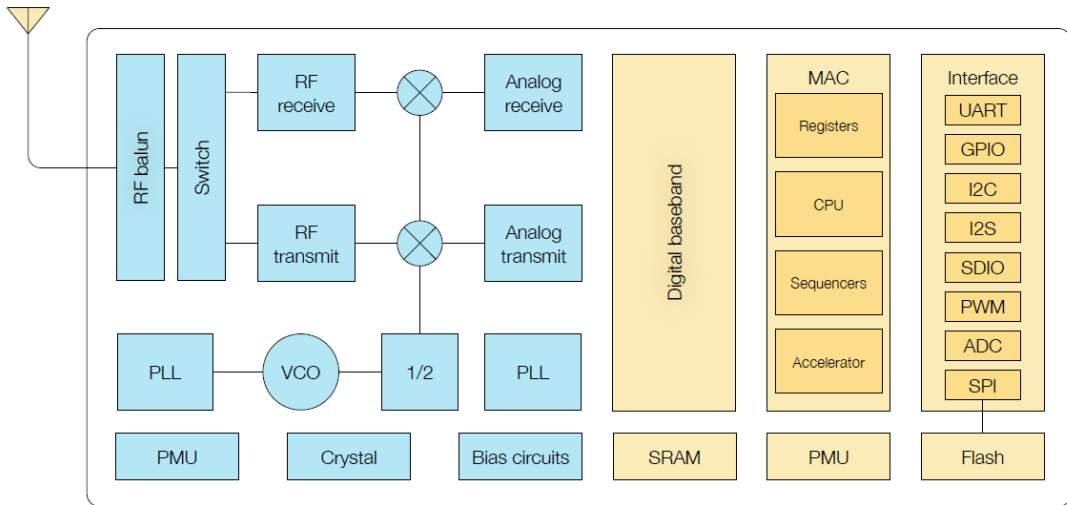


Figure 2 ESP8285 Block Diagram