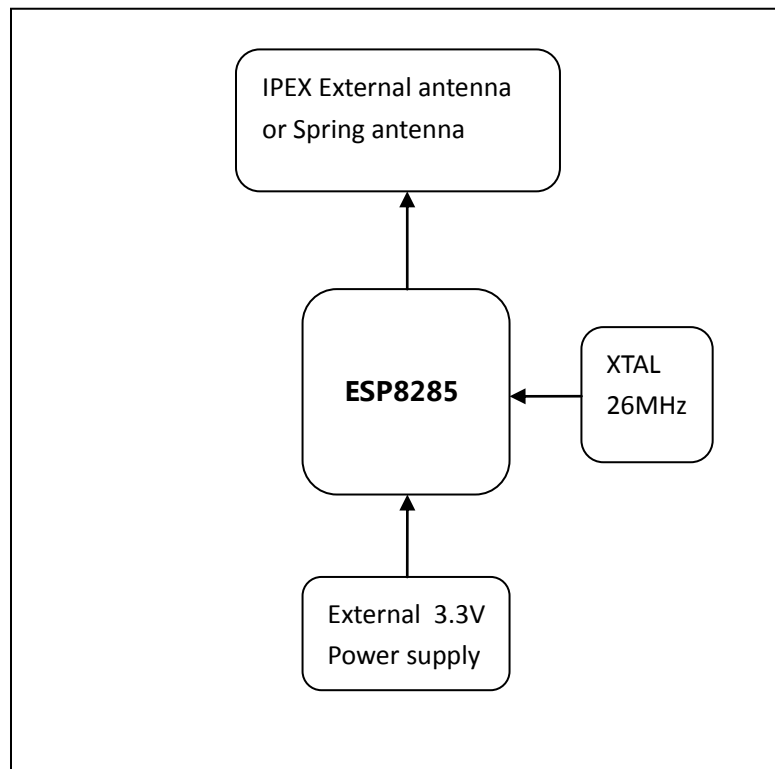
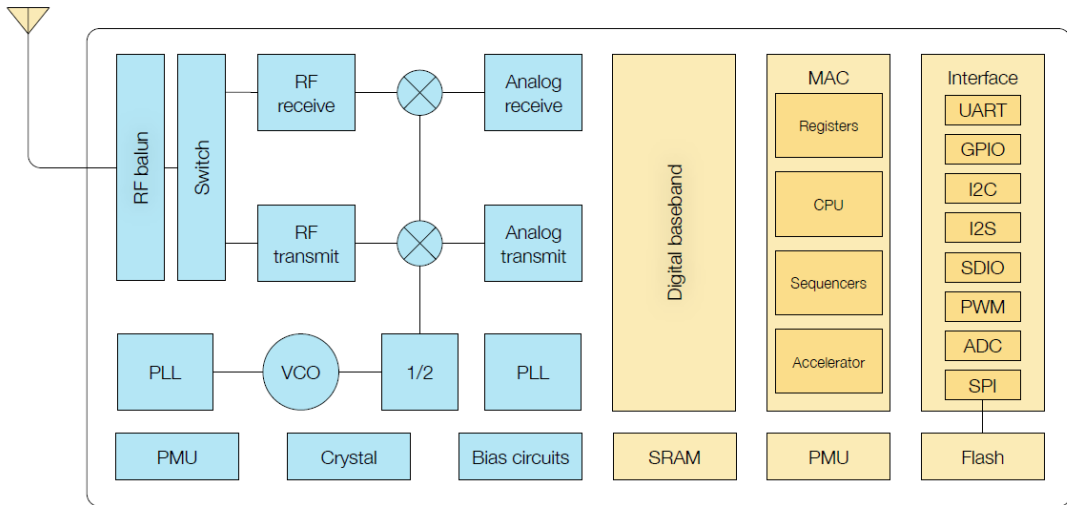


# ESP-01E Module Block Diagram



**Figure 1** ESP-01E Module Block Diagram



**Figure 2 ESP8285 Block Diagram**