



# USER MANUAL

GAC smart watch key





## CONTENTS

- Appearance introduction
- Operating instructions
- Charge
- Power on and restart
- Removing / installing watch strap
- Wear a watch
- Download pairing
- Setting and description
- Maintenance

Instructions for first use:

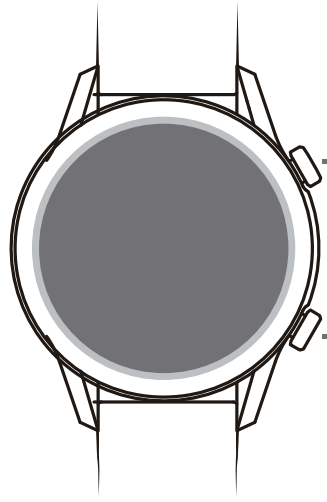
Please bring the smart watch key and two original vehicle remote keys to GAC authorized dealership, where they will adapt the keys by their professional equipment.

Note:

The smart watch key doesn't support the function of remote control to the skylight glass and sliding doors temporarily.

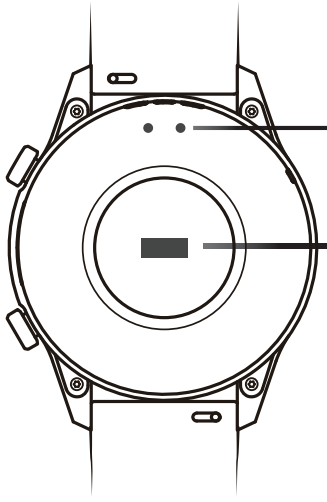
# 01

Appearance introduction



**UP KEY**  
Short press to unlock, long press to lower window

**DOWN KeY**  
Short press to close the lock, long press to lift the window



**Charging point**

**Heart rate sensing area**

**i** The watch is made of harmless material which is able to get access to human skin directly. And it has passed the strict laboratory skin allergy test. If you feel uncomfortable when wearing the watch reasoning individual differences, please stop wearig and go to the hospital.

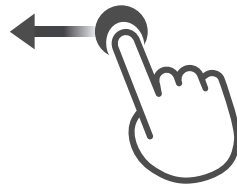
# 02

## Operating

The watch supports full screen touch, slide up, slide down, slide left, slide right, long press and other operations. You can slide the screen or click the up and down buttons to switch to view and use various functions. You can also click and long press the screen to perform related operations.

Home page operation:

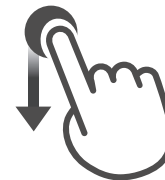
Slide to left: get access to vehicle key system



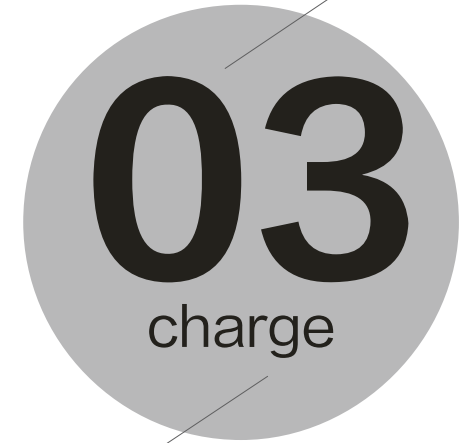
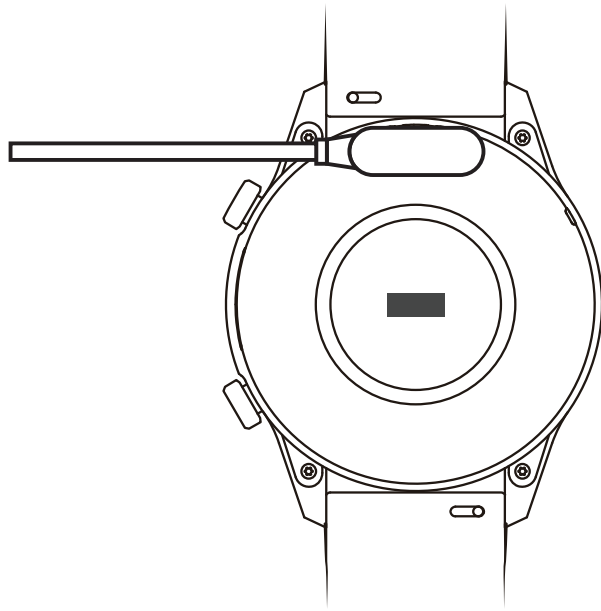
Slide to right: menu page



Slide up: message



Slide down: shortcut menu



The smart key watch will be turned on automatically when charging. Please align the charger to the charging point of the watch until there is indication of powering on the screen.

- ① · When it indicates 100% battery power, the watch is fully charged and it will stop charging automatically, If the charges is not disconnected, it will be charged automatically when the power is less than 100%.

## Description

- Please use the attached dedicated charging cable and a USB charger with a rated output voltage of 5V and a rated output current of 1A and above to charge the watch.
- Please check the charging icon when aligning the charger to the watch. If the charging icon appears, it demonstrates the watch is getting charged. Otherwise, it's required to adjust the watch slightly until it fixes the charges completely and the charging icon comes out.
- When the watch is powered off at low power, an icon will be displayed to indicate that the watch is charging. Soon after charging, the watch will turn on automatically.

## Charging time

The watch can be fully charged within two hours. When the charging indicator shows 100%, the watch is fully charged. Please disconnect the charger when fully charged.

## Battery maintenance

- Please charge the watch in a dry, well-ventilated environment.
- Please dry the charging port before charging to avoid metal contact smudges, short circuit or other risks caused by water filling.
- Keep the charging port and charger dry before charging, and be sure to wipe off water and sweat stains.
- The charger is not waterproof, please keep dry.
- The ambient temperature to store the watch is 0–45° C.
- In order to protect the battery life of the product, the charging current will be reduced in cold and low temperature environment, and the charging time may be longer, but the battery life will not be affected.



# 04

## Power on and restart

### Switch on / off / restart

- Power on**
- In the off state, when the charger is connected for charging, the watch will start automatically.
  - In the off state, the long touch screen starts up.

- Power off**
- In the power off state, please click “Power off” in the setting page.
  - The watch will power off automatically after the ultra-low power vibration warning.

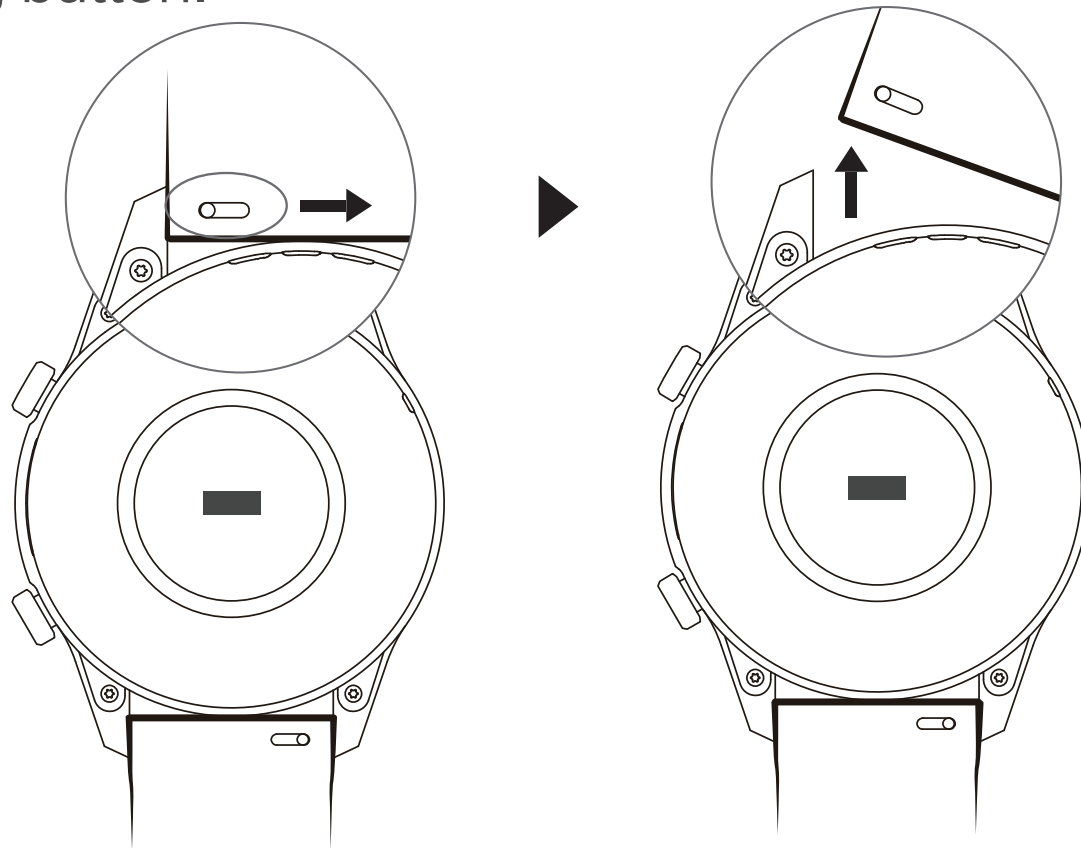
- restart**
- In the power on state, long press the up key and down key to restart the device.
  - In the power on state, select restart in the menu page.

- Restore factory settings**
- At the same time, long press the up and down keys for about 10 seconds to restore the factory settings.

# 05

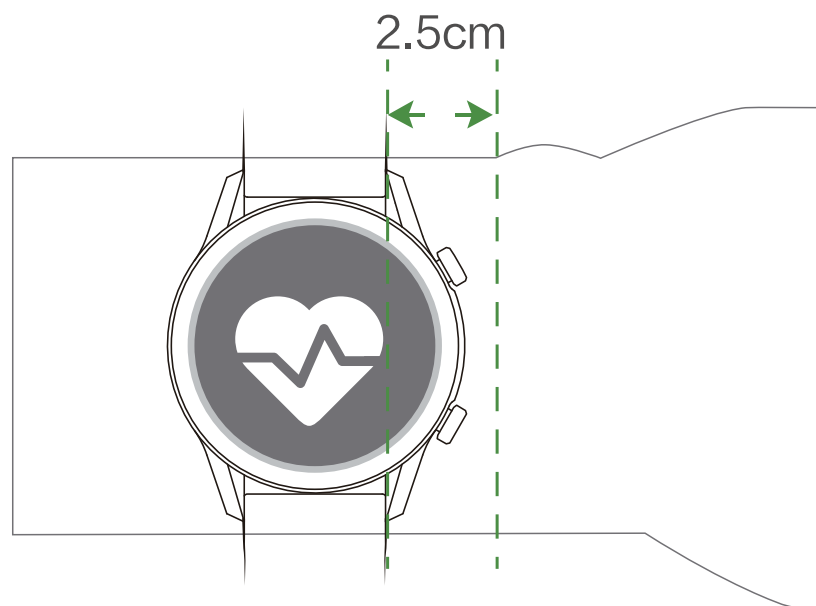
Removal /  
installation

Please refer to the following illustration. When removing the strap, turn the strap fixing button, lift the strap up to remove it, and then release the strap fixing button.



Using the reverse operation, you can install a new strap.

Please refer to the illustration to align the watch's monitoring area of heart rate to your wrist in a comfortable and wearing-friendly position. In order to ensure the accuracy of heart rate measurement, please wear the watch properly and avoid the joints area. Don't wear it too loose or too tight, and try to wear it tightly during exercise.



#### Description

- The watch is made of professional and healthy materials and has passed strict skin allergy tests. You can wear it with confidence. If you feel skin discomfort when wearing it, stop wearing it and consult a doctor.
- The watch does not distinguish between left and right hands. You can wear the watch according to your habits.

# 07

Download  
and pair

- Software download:
  - a. Search and download the IOS version of mobile phone in app store “GAC KEY WATCH” 。
  - b. For Android phones, search and download "GAC KEY WATCH" in App Stores and other app stores, or update the App already on the phone to the latest version.
  - c. App compatible system version  
IOS 7.1 and above  
Android 4.4 and above



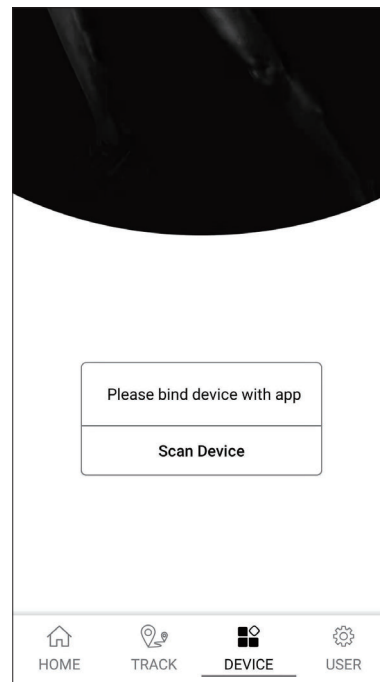
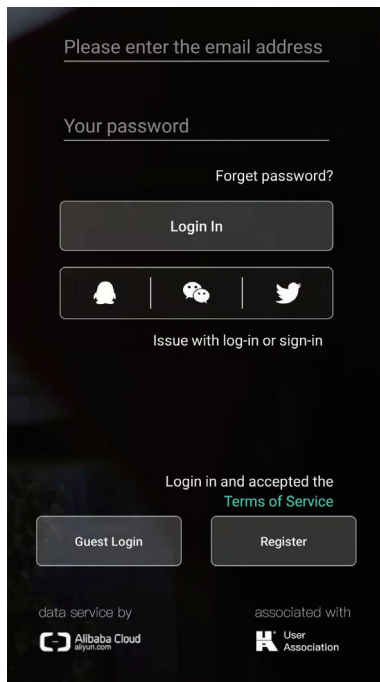
Scan QR code to download app

- Connecting devices:

Open the App "GAC KEY WATCH" to complete user registration and binding through the following methods.

a. Mobile registration login

b. Third party login: wechat, QQ, twitter



Select the scanning watch in the app device, select the corresponding device model in the scanning device result and connect. After the device is successfully connected, the app will display the connection status.

# 08

Setting and  
description

## 8.1 Set time and language

The watch time and language do not need to be set by you. After the watch and the phone are synchronized, the language and time of the phone system will also be automatically synchronized to the watch. If you modify the phone's language, time, or time format, the watch and phone's Bluetooth connection will be synchronized after the normal connection.

## 8.2 Turn on do not disturb

Slide down the dial interface to open the shortcut menu and turn on the "Do Not Disturb" for Disturb mode. After turning on the Do Not Disturb mode on the watch:

1. Incoming phone calls will be Updated to the watch, but the watch will not vibrate and brighten the screen.
2. Messages and notifications are no longer reminded, and the screen does not turn on when you raise your wrist.

## 8.3 Measure heart rate

The watch is equipped with a wrist optical heart rate sensor, which supports 24-hour continuous monitoring and recording of your heart rate (need to turn on the "Continuous heart rate measurement" switch on the mobile app) to help you stay healthy in a scientific way.

### Description

In order to ensure the accuracy of heart rate measurement, please wear the watch properly and avoid the joints area. Don't wear it too loose or too tight, and try to wear it tightly during exercise.

## 8.4 Monitor sleep

Wear the watch to fall asleep, the watch will automatically recognize the time you enter sleep, exit sleep, deep sleep, light sleep, and sync to the App to view your sleep details.

The watch counts sleep from 20:00 on the previous day to 20:00 on the next day for a period of 24 hours. If you start to fall asleep at 19:00 the day before and wake up at 6 o'clock the next day, the sleep duration is 11 hours.

According to the watch sleep statistical cycle, your sleep before 20:00 will be recorded to the previous day, 20:00. The rest of the sleep time is recorded to the day's sleep.

The sleep data of the day can be displayed on the watch. Tap the watch menu page to enter the application list, tap "Sleep", and swipe up the screen to view the night sleep duration and sporadic nap duration. The daytime sleep duration is displayed in sporadic naps.

You can view historical sleep data in the App. Please click on the phone The sleep card on the home page of the App will display historical data, including statistics by day, week, month, and year.

### Description

Small sleep periods during the day were recorded as sporadic naps. If your sleep time is too short and less than 30 minutes, or your body or wrist moves a lot while sleeping, the watch may not be able to detect it, and sleep data will not be recorded at this time.





IP67 professional waterproof, can be used in shallow water activities such as swimming pools or beach swimming.

Not applicable to snorkeling, hot showers, hot springs, saunas (steam rooms), diving, diving, water skiing, other wading activities facing high-speed currents and deep water activities.

It can prevent dust conditions such as living room, office, laboratory, light industry studio, storage room, etc., and is not suitable for special dust environment.

- ① The leather strap is not waterproof and avoid contact with liquids; when wearing it in water contact scenes such as swimming and sports scenes, please replace it with a fluoro rubber strap.

## **SAFETY INFORMATION**

Before using and operating the equipment, please read and observe the following precautions to ensure the best performance of the equipment and avoid dangerous or illegal situations.

### **ELECTRONIC EQUIPMENT**

Do not use this device in places where the use of wireless devices is clearly prohibited, otherwise it will interfere with other electronic devices or cause other dangers.

### **IMPACT ON MEDICAL EQUIPMENT**

- In medical and health care places where the use of wireless devices is expressly prohibited, please comply with the regulations of that place and do not use this device.
- The radio waves generated by the equipment may affect the normal operation of implanted medical equipment or personal medical equipment, such as pacemakers, cochlear implants, hearing aids, etc. If you use these medical devices, please consult their manufacturers about the restrictions on using this device.
- When using this device, please keep a distance of at least 15 cm from implanted medical devices (such as pacemakers, cochlear implants, etc.).

### **TRAFFIC SAFETY**

- When using headphones while driving, please follow the regulations of your country or region.
- Remember that safe driving is your first responsibility, and don't engage in distracting activities.
- The electronic equipment of the car may malfunction due to radio interference from the equipment. Please contact the manufacturer for detailed information.
- Do not place the device above the car's airbag or within the reach of the airbag after deployment. Otherwise, when the airbag is inflated, the equipment will be pushed by a strong external force and cause serious injury to the people in the car.
- Wireless devices may interfere with the flight system of the aircraft. Please abide by the relevant regulations of the airlines. Do not use wireless devices where the use of wireless devices is prohibited.

### **OPERATING ENVIRONMENT**

- Do not use the device in a humid place or near a magnetic field to avoid malfunction of the device's internal circuit.
- Do not use this device during thunderstorms. Thunderstorm weather may cause equipment malfunction or electric shock hazard.
- Please use the equipment in the temperature range of  $-20^{\circ}\text{C} \sim +45^{\circ}\text{C}$ . Equipment failure may occur when the ambient temperature is too high or too low.
- Do not place the device in direct sunlight, such as car dashboard or window sill.
- Do not place the device near a heat source or an exposed fire source, such as an electric heater, microwave oven, oven, water heater, stove, candle or any other place that may produce high temperature.

- Do not allow children or pets to swallow the device or its accessories to avoid injury to it or cause device failure or explosion.

## **WATERPROOF AND DUSTPROOF**

The equipment has been tested and demonstrated waterproof and dustproof performance in specific environments.

## **CHILD HEALTH**

- This device and its accessories may contain some small parts. Please keep the device and its accessories out of the reach of children. Children may inadvertently damage the device and its accessories, or swallow small parts, causing suffocation or other hazards.
- This device is not a toy. Children should use it under adult supervision.

## **ACCESSORIES REQUIREMENTS**

Using unapproved or incompatible power supplies, chargers, or batteries may cause fire, explosion or other hazards.

## **BATTERY SAFETY**

- This device is equipped with a non-removable built-in battery. Please do not replace the battery yourself to avoid damage to the battery or the device. The battery can only be replaced by the equipment supplier.
- Do not connect metal conductors with the battery poles, or touch the terminals of the battery, so as to avoid short-circuiting the battery and burns due to overheating of the battery.
- Do not expose batteries to high temperatures or around heating equipment, such as sunlight, heaters, microwave ovens, ovens or water heaters. Overheating of the battery may cause an explosion.
- Do not disassemble or modify the battery, insert foreign objects, or immerse it in water or other liquids, so as not to cause battery leakage, overheating, fire or explosion.
- If the battery leaks, do not allow the leaked liquid to come in contact with the skin or eyes. If it comes in contact with the skin or eyes, please rinse immediately with clean water and go to the hospital for medical treatment.
- Do not throw the battery into the fire, otherwise it will cause the battery to catch fire and explode.
- Please dispose of the battery according to local regulations, and do not dispose of the battery as household garbage. Improper disposal of the battery may cause the battery to explode.
- Do not allow children or pets to swallow the battery to avoid injury or explosion of the battery.
- Do not drop, crush or puncture the battery. Avoid exposing the battery to high external pressure, which may cause internal short circuit and overheating of the battery.
- Do not use damaged batteries.

## MAINTENANCE AND MAINTENANCE

- Please keep the device and its accessories dry. Do not use external heating devices such as microwave ovens or hair dryers to dry them.
- Do not place equipment and its accessories in areas with too high or too low temperature, otherwise it may cause equipment failure, fire or explosion.
- Do not make the equipment and its accessories suffer strong impact or vibration, so as not to damage the equipment and its accessories and cause equipment failure.
- If the product is equipped with a leather strap, please avoid using it under hot sun, direct sunlight, high temperature and humidity. If you accidentally touch it with water or sweat, please wipe it off as soon as possible and place it in a cool and ventilated place for drying. Do not use external heating devices such as microwave ovens and hair dryers to dry the wet leather strap, otherwise the leather surface may shrink or expand.
- If the product is equipped with a light-colored watch strap, please do not touch dark clothing when using it to prevent staining.
- Before cleaning and maintenance, please stop using the device and disconnect all connections or cables from other devices.
- Do not use strong chemicals, cleaning agents, or strong detergents to clean the equipment or its accessories. Please use a clean, dry soft cloth to wipe the device or its accessories.
- Do not keep the magnetic stripe card (such as bank card, telephone card, etc.) in contact with the device for a long time, otherwise the magnetic stripe card may be damaged by the magnetic field.
- Do not disassemble or modify the equipment and accessories without authorization, otherwise the equipment and accessories will not be covered by the company's warranty. Please contact the equipment supplier or customer service center if the equipment fails.
- If the device collides with a hard object or the device is subject to a strong impact from the outside, the screen part is broken, do not touch or try to remove the broken part, please stop using it immediately and contact the equipment supplier or customer service center

## ENVIRONMENTAL PROTECTION

- Do not dispose of this equipment and its accessories as ordinary household garbage.
- Please comply with local laws and regulations regarding the disposal of this equipment and its accessories, and support the recycling actions.

## Name and content of hazardous substances in the product

Part Name	harmful materials					
	铅 (Pb)	汞 (Hg)	镉 (Cd)	六价铬 (Cr(VI))	多溴联苯 (PBB)	多溴二苯醚 (PBDE)
Host	×	○	○	○	○	○
Strap	○	○	○	○	○	○
battery	×	○	○	○	○	○
Charging base	×	○	○	○	○	○
Charging Cable	×	○	○	○	○	○

This form is compiled in accordance with SJ/T 11364.

○: It means that the content of the hazardous substance in all homogeneous materials of the part is below the limit requirement of GB/T 26572.

×: It means that the content of the hazardous substance in at least one of the homogeneous materials of the part exceeds the limit requirement of GB/T 26572, and there is no mature alternative in the industry at present, which meets the environmental protection requirements of the EU RoHS directive.



The number in this logo indicates that the environmental protection use period of the product under normal use is 20 years.



The number in this logo indicates that the environmental protection use period of the battery under normal use is 5 years.

Some components may also have an environmental protection use period mark, and the environmental protection use period is subject to the number in the mark. Due to different models, the product may not include all the above components except the host. Please refer to the actual sales configuration of the product.

# WARRANTY CARD

Part Name	warranty period	service method
Host (without strap)	1 year (inclusive) free warranty	User send repair/repair
Others (watchbands, wristbands, decorative pieces, etc.)	No warranty	nothing

Before returning or sending it for repair, please check whether the following tick content is ready.

	Host and accessories are complete	The package is complete	Invoice (not altered)	Gifts (if any)
Return	✓	✓	✓	✓
Exchange	✓	✓	✓	
repair	✓		✓	

**Confirm warranty status**

1. The starting date of product warranty shall be subject to the date of issuance of purchase invoice.
2. If there is no proof of invoice, the warranty start date shall be postponed by 90 days from the factory date displayed on the host MAC.

## User stub

User name:	contact number:
postal address:	
Product model:	Serial number ( SN ) :
Purchase date:	Invoice number:
Telephone number of sales unit:	Vending unit name (with official seal):
Address of selling unit:	

### note:

1. This warranty card is only applicable to the three-guarantee service of the host with the serial number listed above.
2. Please keep this warranty certificate properly. Please show this certificate and invoice when enjoying the three guarantees service.
3. This voucher must be stamped by the sales unit to be effective.
4. Man-made damage is not covered by the warranty.





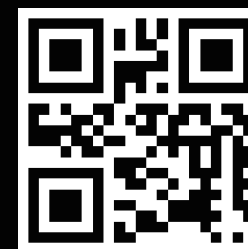
## Dealer Stubs

User name:	contact number:
postal address:	
Product model:	Serial number ( SN ) :
Purchase date:	Invoice number:
Telephone number of sales unit:	Vending unit name (with official seal):
Address of selling unit:	

**note:**

1. This warranty card is only applicable to the three-guarantee service of the host with the serial number listed above.
2. Please keep this warranty certificate properly. Please show this certificate and invoice when enjoying the three guarantees service.
3. This voucher must be stamped by the sales unit to be effective.
4. Man-made damage is not covered by the warranty.

This information is for reference only and does not constitute any form of commitment.



version:01

**FCC Caution:**

This device complies with part 15 of the FCC Rules. Operation is subject to the following two conditions: (1) This device may not cause harmful interference, and (2) this device must accept any interference received, including interference that may cause undesired operation.

Any Changes or modifications not expressly approved by the party responsible for compliance could void the user's authority to operate the equipment.

**Note:** This equipment has been tested and found to comply with the limits for a Class B digital device, pursuant to part 15 of the FCC Rules. These limits are designed to provide reasonable protection against harmful interference in a residential installation. This equipment generates uses and can radiate radio frequency energy and, if not installed and used in accordance with the instructions, may cause harmful interference to radio communications. However, there is no guarantee that interference will not occur in a particular installation. If this equipment does cause harmful interference to radio or television reception, which can be determined by turning the equipment off and on, the user is encouraged to try to correct the interference by one or more of the following measures:

- Reorient or relocate the receiving antenna.
- Increase the separation between the equipment and receiver.
- Connect the equipment into an outlet on a circuit different from that to which the receiver is connected.
- Consult the dealer or an experienced radio/TV technician for help.

The device has been evaluated to meet general RF exposure requirement. The device can be used in portable exposure condition without restriction.