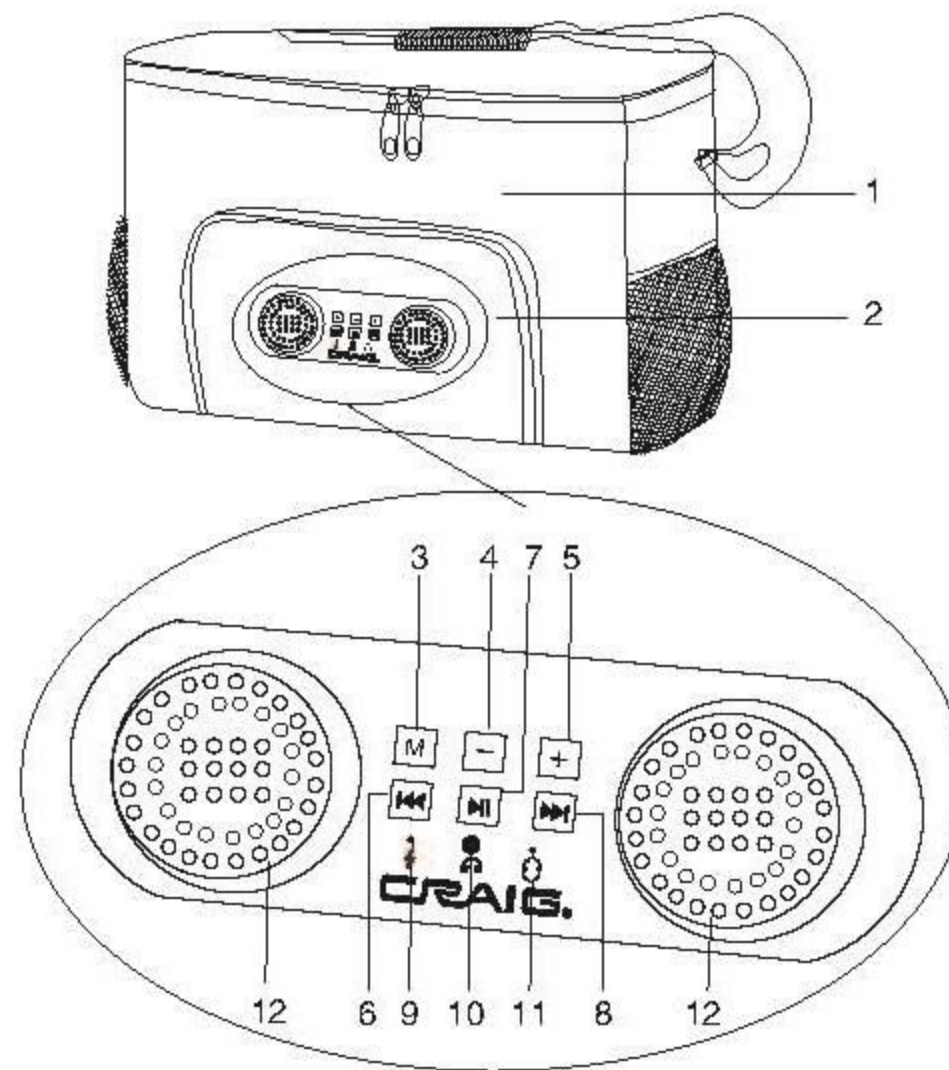


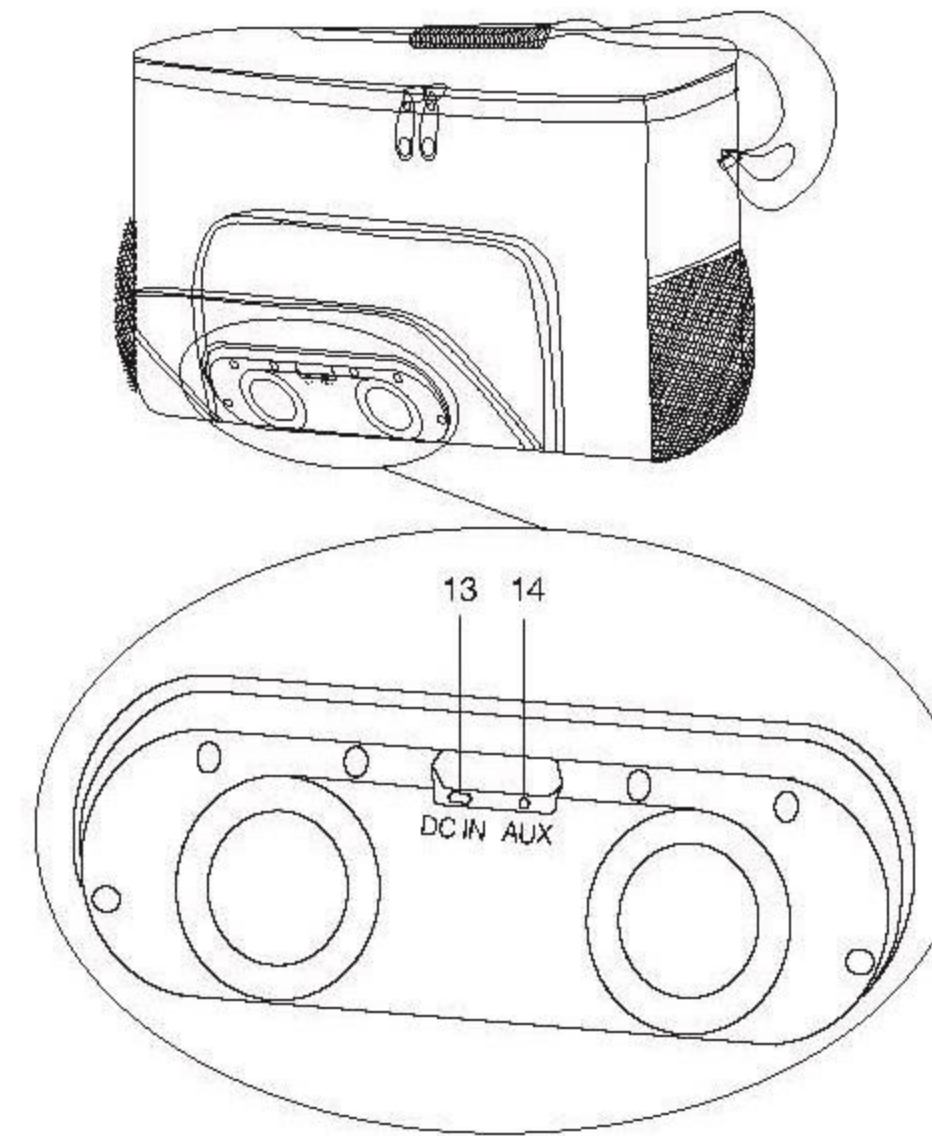
# COOLER BAG WITH FM RADIO AND BLUETOOTH WIRELESS TECHNOLOGY

M/N:CC310BT

## LOCATION OF CONTROLS:



- |                |                    |
|----------------|--------------------|
| 1. Cooling Bag | 7. M Button        |
| 2. Small Bag   | 8. M Button        |
| 3. M Button    | 9. Red Indicator   |
| 4. - Button    | 10. Headphone Jack |
| 5. + Button    | 11. Blue Indicator |
| 6. M Button    | 12. Speakers       |

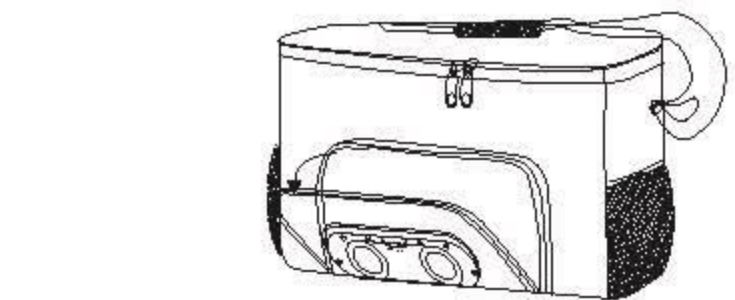


- |  |                   |
|--|-------------------|
| 13. DC IN Jack (Micro USB Port, for recharge only) | 14. AUX (in) Jack |
|--|-------------------|

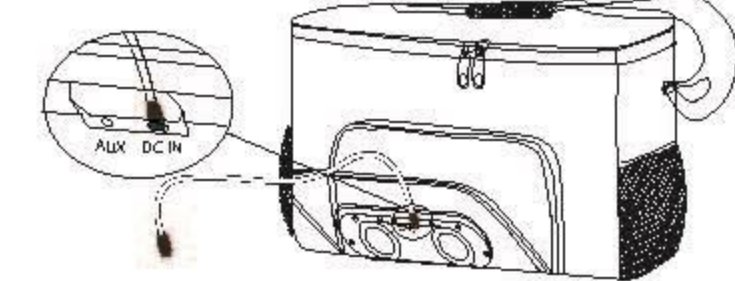
## POWER SOURCE:

The unit has a built-in Li-ion rechargeable battery, recharge it before use or when it is drained as follows:

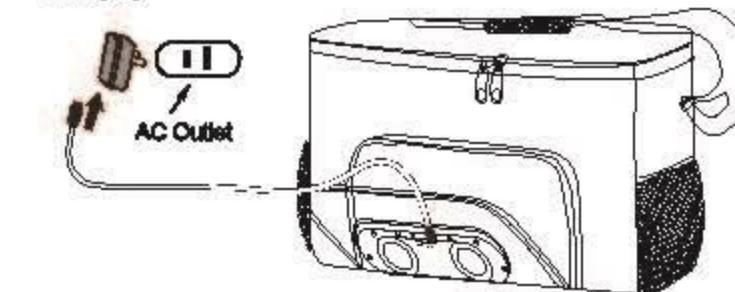
1. Open the small bag as the illustrated below:



2. Connect the Micro USB Plug from the supplied USB Connection Cable to the Micro USB Port as the illustrated below:



3. Connect the full-sized USB Plug from the supplied USB Connection Cable to any Computer or USB Charger (Computer and USB Charger not included) to start charging.



4. During charging, the Red Indicator on the front of unit will illuminate. When finished, it will turn off.

## Notes:

1. During charging, you can also play and listen music at the same time.
2. Your battery will last longer if you're following these simple guidelines for caring and storing.
  - A. Before first time use, charge it approximately 3 hours until the unit is fully charged.
  - B. Recharge and store the unit within the temperature range of 5°C~35°C (40°F~95°F).
  - C. Do not charge longer than 24 hours. Excessive charging or running the unit until battery fully drains will damage battery. Battery life will be extended if you keep the battery fully charged.
  - D. Battery life naturally shortens slowly over time.
  - E. The rechargeable battery incorporated in this product is not user replaceable.

## OPERATION:

### BT (Bluetooth) pairing:

First time use or re-pairing the unit to a new BT Device, pair as follows:

1. Power on the unit by pressing and holding the M Button on the front of the unit approximately 1 second. The unit will enter to BT (Bluetooth) mode automatically. The Blue Indicator on the front of unit will illuminate and blink.
2. Power on the external BT Device and enter to BT searching mode. Start pairing following the on screen instructions from the external BT Device. After paired, the unit will sound a prompt tone and the Blue Indicator will stop blinking.
3. If pairing is complete you may now play music with your external BT Device.
4. During playback:
  - Press the M Button on the unit to pause, press again to resume normal playback.
  - Press the + or - Buttons repeatedly to adjust volume level as desired.
  - Press and release the M or M Buttons repeatedly to skip tracks.
5. When finished listening, pressing and holding the M Button to shut off the unit. The Blue Indicator will turn off.

### Notes:

- When the external BT Device searched the unit, our model number "CC310BT" will appear on the display of external BT Device.
- If while pairing you are asked for a code please try "0000" or "1234".

### Normal operation after pairing:

1. Power on the unit by pressing and holding the M Button on the front of the unit approximately 1 second. The unit will enter to BT (Bluetooth) mode automatically. The Blue Indicator on the front of unit will illuminate and blink.
2. Wait a few seconds until the unit is automatically paired to the external BT Device. (The unit will sound a prompt tone and the Blue Indicator will stop blinking).
3. After pairing is complete you may now play music and answer calls with your external BT Device.

### FM Radio:

1. Power on the unit by pressing and holding the M Button on the front of the unit approximately 1 second. The unit will enter to BT (Bluetooth) mode automatically. The Blue Indicator on the front of unit will illuminate and blink.
2. Press the M Button repeatedly until the Red and Blue Indicators are illuminate to enter to Radio mode.
3. First time use or researching the available FM stations, press and release the M Button. The unit will automatically to search and stored all the available stations then play the first searched station.
4. After step 3, press the M or M Buttons repeatedly to play the desired stored FM station.
5. When finished listening, pressing and holding the M Button to shut off the unit. The Red and Blue Indicators will turn off.

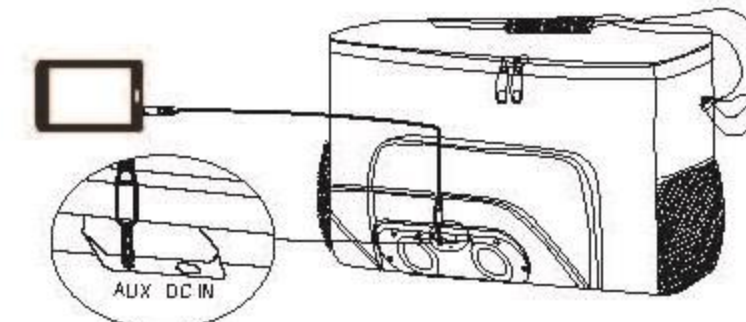
## Antennas:

This unit has a built-in FM antenna, which provides adequate reception in most areas. If reception is weak, reassemble the other direction/location to improve reception.

### AUX (in):

To listen from an external Audio Player such as a MP3 Player, Discman ... etc.

1. Open the small bag.
2. Connect one end of the supplied Audio Connection Cable to the AUX Out/Line Out/Phone Jack on the external Audio Player.
3. Connect the other end of the cable to the AUX (in) Jack as the illustrated below.



4. Power on and play the music on the connected Player as usual. (Make sure the volume level of the connected Audio Player is turned to high level.)
5. Power on the unit by pressing and holding the M Button on the front of the unit approximately 1 second. The unit will enter to BT (Bluetooth) mode automatically. The Blue Indicator on the front of unit will illuminate and blink.
6. Press the M Button repeatedly until the Blue Indicator is stop blinking to enter to AUX (in) mode.
7. During playback:
  - Press the M Button to mute the sound, press again to turn the sound back.
  - Press the + or - Buttons repeatedly to adjust volume level as desired.
8. When finished listening, pressing and holding the M Button to shut off the unit. The Blue Indicators will turn off.

## TROUBLESHOOTING

Check the following before requesting service:

SYMPTOM	POSSIBLE CAUSE	POSSIBLE SOLUTION
Can't power on	Built in battery drained	Recharge the built-in battery as page 5
No sound or sound weak	Volume of the unit was set to minimum position	Increase the volume by press the + Button
	Volume level of paired/connected device is in low level	Rise the volume level of the paired/connected device
Sound distortion	Volume level too high	Reduce the volume level by press the - Button
	Volume level of the connected /paired device too high	Reduce the volume level of the connected/paired device
BT not functioning	The external BT Device had NOT paired to the unit	Pair the external BT Device to the unit as page 7
	The external BT device too far from the unit	Place the external BT device close to the unit

## SPECIFICATIONS:

Power source: Built-in DC 3.7V, 700mAh (2.59Wh) rechargeable Li-ion Battery, Recharge by DC 5V through DC IN Jack (Micro USB Port)  
 FM Frequency: 87.5-108MHz  
 Impedance of the speakers: 2 x 3W, 4 ohm  
 Audio power: 1W per Channel (Total 2W, RMS)  
 BT Version: 4.0  
 BT Operation Distance: ≥32 Feet in opera area

## PACKAGE INCLUDES:

- 1 x Owner's Manual
- 1 x USB Connection Cable (For charging only)
- 1 x Audio Connection Cables with 3.5mm Plugs

SPECIFICATIONS AND ACCESSORIES ARE SUBJECT TO CHANGE WITHOUT NOTICE



**FCC Statement**

This device complies with part 15 of the FCC Rules. Operation is subject to the following two conditions:

(1) This device may not cause harmful interference, and (2) this device must accept any interference received, including interference that may cause undesired operation.

Any Changes or modifications not expressly approved by the party responsible for compliance could void the user's authority to operate the equipment.

Note: This equipment has been tested and found to comply with the limits for a Class B digital device, pursuant to part 15 of the FCC Rules. These limits are designed to provide reasonable protection against harmful interference in a residential installation. This equipment generates uses and can radiate radio frequency energy and, if not installed and used in accordance with the instructions, may cause harmful interference to radio communications. However, there is no guarantee that interference will not occur in a particular installation. If this equipment does cause harmful interference to radio or television reception, equipment generates, uses and can radiate radio frequency energy and, if not installed and used in accordance with the instructions, may cause harmful interference to radio communications. However, there is no guarantee that interference will not occur in a particular installation. If this equipment does cause harmful interference to radio or television reception,

- Reorient or relocate the receiving antenna.
- Increase the separation between the equipment and receiver.
- Connect the equipment into an outlet on a circuit different from that to which the receiver is connected.
- Consult the dealer or an experienced radio/TV technician for help.

**FCC RF Radiation Exposure Statement**

The device has been evaluated to meet general RF exposure requirement. The device can be used in portable exposure condition without restriction.