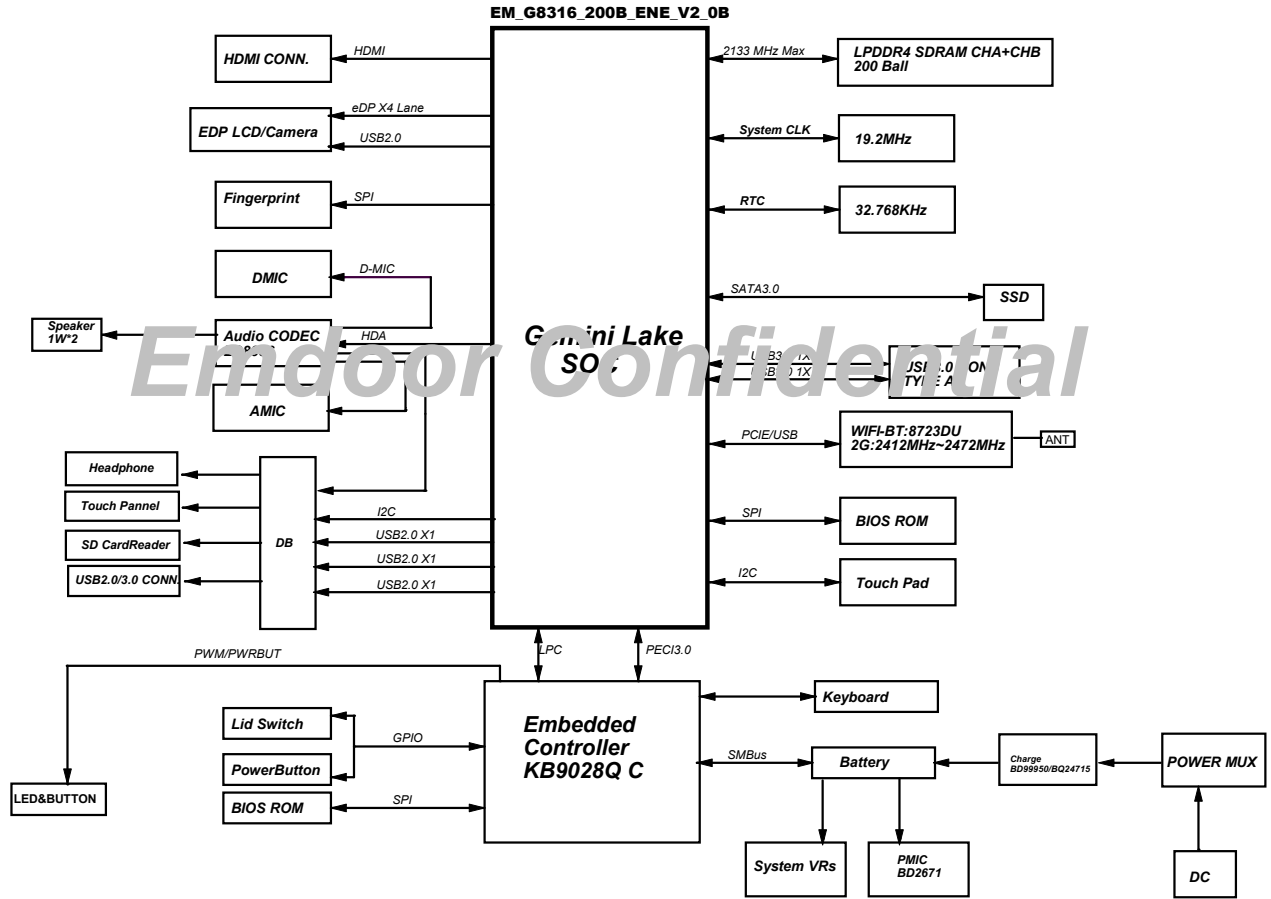


Block Diagram



Emdoor Confidential

REV No.		Emdoor	http://www.emdoor.com
DESCRIPTION			
DATE			
BY			
NO. OF SHEETS	1	SCHEMATIC	Sheet No. 1 of 1
FILE NAME	EM_G8316_200B_ENE_V2_0B		

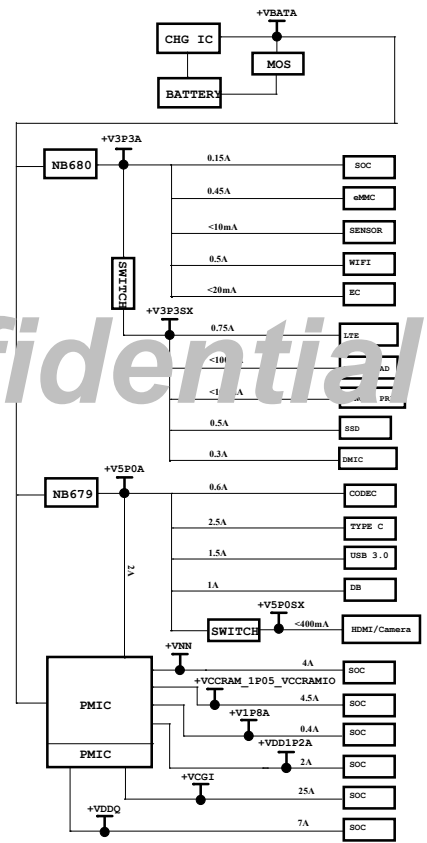
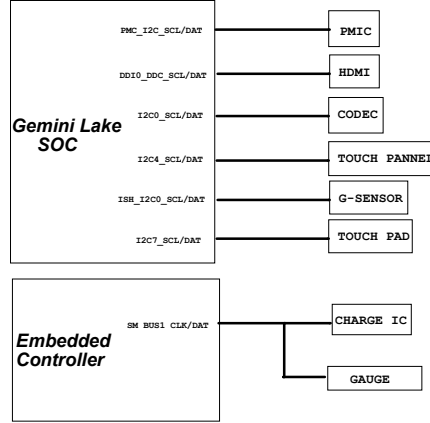
TABLE OF CONTENTS

SHEET NO.	SHEET NAME
1	COVER PAGE
2	TABLE OF CONTENTS
3	GLK SOC-DDRM CH0
4	GLK SOC-DDRM CH1
5	GLK SOC-4 (PCIe USB/BATA)
6	GLK SOC-8 (PMU/PMIC, RTC)
7	GLK SOC-3 (DISPLAY)
8	GLK SOC-5 (I2C, ITP, GPIO)
9	GLK SOC-6 (I2S, QMI)
10	GLK SOC-7 (LPC, BPL/AUDIO)
11	GLK SOC-10 (POWER)
12	GLK SOC-9 (POWER)
13	GLK SOC-11, 12, 13 (GND)
14	GLK SOC - (DECAP)
15	GLK SOC - (STRAPS)
16	MEM_DDR4 CH0-1 of 4
17	MEM_DDR4 CH0-2 of 4
18	MEM_DDR4 CH1-1 of 4
19	MEM_DDR4 CH1-2 of 4
20	MEM_DDR4 CH0 TERMINATION
21	MEM_DDR4 CH1 TERMINATION
22	MEM_DDR4 CH0 STRAPS
23	MEM_DDR4 CH1 STRAPS
24	SYSTEM_FLASH
25	EMMC
26	SD CARD CONN, BLANK
27	SENSORS & TOUCH/PAD
28	PCIe SATA MUX
29	M.2 PCIe SSD
30	WWAN
31	WLAN MODULE
32	DISPLAY
33	SATA CONNECTOR, BLANK
34	AUDIO CODEC
35	AUDIO, HEADSET AND SPEAKERS
36	BATTERY CHARGER
37	DC POWER JACK
38	HDMI LEVEL SHIFTER
39	HDMI CONNECTOR
40	POWER DELIVERY 5V AND 3.3V

SHEET NO.	SHEET NAME
41	PMIC1
42	PMIC2
43	PMIC3
44	PMIC4
45	TYPE C PD CONTROLLER
46	TYPE C SWITCH AND LED
47	TYPE C CONNECTOR
48	EC-1
49	EC-2 (LED/LPC DEBUG)
50	EC-3 (KEYBOARD CONN)
51	DB CONN
52	USB 3.0 CONNECTOR
53	POWER BUTTON
54	MSIC
55	CH LIST

Emdoor Confidential

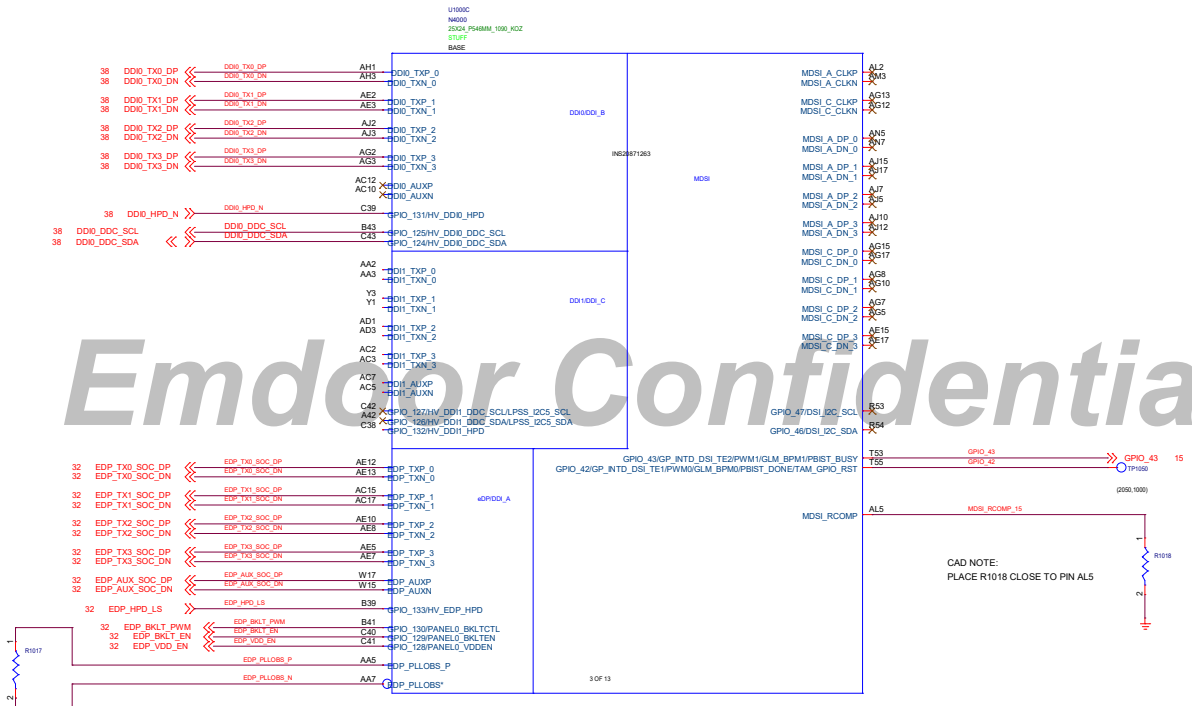
I2C/SMBUS MAP



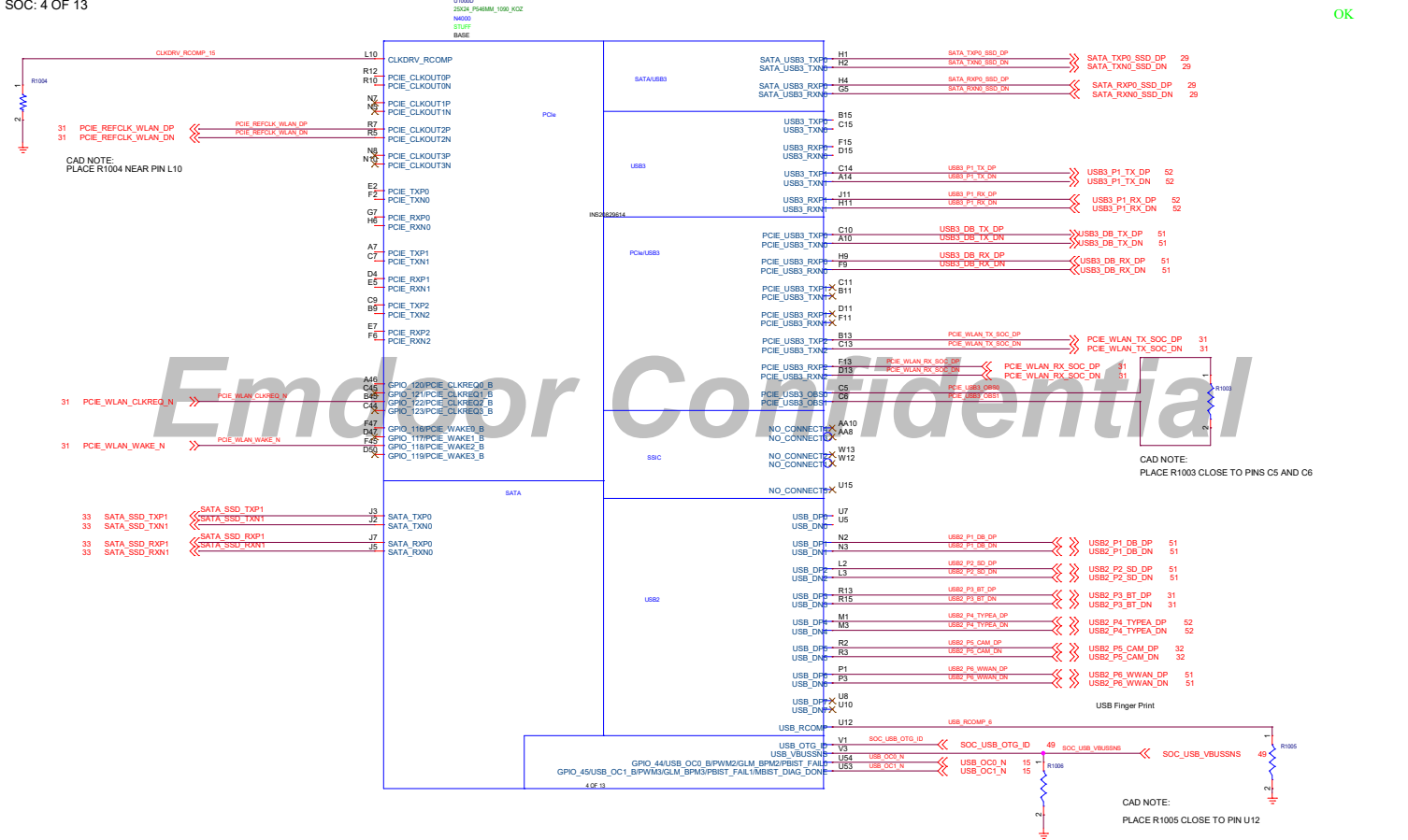
ECO No.		Http: www.emdoor.com
Designer		
Rev/Lead		
Approved		
DO NOT REPRODUCE	EMMC SCHEMATIC	Drawing No.
FOR INTERNAL USE ONLY	Client	Rev
	DATE: Wednesday November 24 2016	Sheet 2 of 55

U100A
Z804_P648M_100_KCZ
M000
STUFF
BASE

DDR4_LFS_LF4		DDR4_LFS_LF4			
16	MO_B_D0B8	BL36	DDROCHDQ0_D040_D088_D088	AT53	MO_A_D0SP0 16
16	MO_B_D0B9	BK37	DDROCHDQ1_D041_D089_D089	AY55	MO_A_D0SN0 16
16	MO_B_D0B10	BL38	DDROCHDQ2_D042_D0810_D0810	AW49	MO_A_D0SP1 16
16	MO_B_D0B11	BL39	DDROCHDQ3_D043_D0811_D0811	AW48	MO_A_D0SN1 16
16	MO_B_D0B12	BL40	DDROCHDQ4_D044_D0812_D0812	BC54	MO_A_D0SP2 16
16	MO_B_D0B13	BL41	DDROCHDQ5_D045_D0813_D0813	BE53	MO_A_D0SN2 16
16	MO_B_D0B14	BY42	DDROCHDQ6_D046_D0814_D0814	BE52	MO_A_D0SP3 16
16	MO_B_D0B15	BA33	DDROCHDQ7_D047_D0815_D0815	AD41	MO_B_D0SN0 16
16	MO_B_D0B16	BA34	DDROCHDQ8_D048_D0816_D0816	AD43	MO_A_D0SP3 16
16	MO_B_D0B17	BY43	DDROCHDQ9_D049_D0817_D0817	AV37	MO_A_D0SN3 16
16	MO_B_D0B18	AY37	DDROCHDQ10_D050_D0818_D0818	AV35	MO_B_D0SP0 16
16	MO_B_D0B19	AY38	DDROCHDQ11_D051_D0819_D0819	BL38	MO_B_D0SP1 16
16	MO_B_D0B20	BL39	DDROCHDQ12_D052_D0820_D0820	BL38	MO_B_D0SN1 16
16	MO_B_D0B21	BL40	DDROCHDQ13_D053_D0821_D0821	BF31	MO_B_D0SP2 16
16	MO_B_D0B22	BL41	DDROCHDQ14_D054_D0822_D0822	BE51	MO_B_D0SN2 16
16	MO_B_D0B23	BL42	DDROCHDQ15_D055_D0823_D0823	BK31	MO_B_D0SP3 16
16	MO_B_D0B24	BL43	DDROCHDQ16_D056_D0824_D0824	BL52	MO_B_D0SN3 16
16	MO_B_D0B25	BL44	DDROCHDQ17_D057_D0825_D0825	BC54	
16	MO_B_D0B26	BL45	DDROCHDQ18_D058_D0826_D0826	BH54	MO_B_CKE1 16
16	MO_B_D0B27	BL46	DDROCHDQ19_D059_D0827_D0827	CH42	MO_B_CKE0 16
16	MO_B_D0B28	BL47	DDROCHDQ20_D060_D0828_D0828	CF36	MO_B_CSN 16
16	MO_B_D0B29	BL48	DDROCHDQ21_D061_D0829_D0829	CK43	MO_A_CS1_N 16
16	MO_B_D0B30	BL49	DDROCHDQ22_D062_D0830_D0830	BL44	MO_A_CS1_N 16
16	MO_B_D0B31	BL50	DDROCHDQ23_D063_D0831_D0831	BL43	MO_A_CS0_N 16
16	MO_B_D0B32	BL51	DDROCHDQ24_D064_D0832_D0832	BL54	MO_A_CKE1 16
16	MO_B_D0B33	BL52	DDROCHDQ25_D065_D0833_D0833	BE52	MO_A_CKE0 16
16	MO_B_D0B34	BL53	DDROCHDQ26_D066_D0834_D0834	BE49	MO_B_CLK_P 16
16	MO_B_D0B35	BL54	DDROCHDQ27_D067_D0835_D0835	BE49	MO_B_CLK_N 16
16	MO_B_D0B36	BL55	DDROCHDQ28_D068_D0836_D0836	BE41	MO_B_CLK_P 16
16	MO_B_D0B37	BL56	DDROCHDQ29_D069_D0837_D0837	BE41	MO_B_CLK_N 16
16	MO_B_D0B38	BL57	DDROCHDQ30_D070_D0838_D0838	BC48	MO_A_CLK_N 16
16	MO_B_D0B39	BL58	DDROCHDQ31_D071_D0839_D0839	BD45	
16	MO_B_D0B40	BL59	DDROCHDQ32_D072_D0840_D0840	BE50	MO_B_CAB5 16
16	MO_B_D0B41	BL60	DDROCHDQ33_D073_D0841_D0841	BF45	
16	MO_B_D0B42	BL61	DDROCHDQ34_D074_D0842_D0842	BF43	MO_B_CAB0 16
16	MO_B_D0B43	BL62	DDROCHDQ35_D075_D0843_D0843	BF41	MO_B_CAB3 16
16	MO_B_D0B44	BL63	DDROCHDQ36_D076_D0844_D0844	BD43	
16	MO_B_D0B45	BL64	DDROCHDQ37_D077_D0845_D0845	BD43	MO_B_CAB4 16
16	MO_B_D0B46	BL65	DDROCHDQ38_D078_D0846_D0846	BF43	MO_B_CAB2 16
16	MO_B_D0B47	BL66	DDROCHDQ39_D079_D0847_D0847	BF41	MO_B_CAB1 16
16	MO_B_D0B48	BL67	DDROCHDQ40_D080_D0848_D0848	BE52	
16	MO_B_D0B49	BL68	DDROCHDQ41_D081_D0849_D0849	BL45	
16	MO_B_D0B50	BL69	DDROCHDQ42_D082_D0850_D0850	BL44	
16	MO_B_D0B51	BL70	DDROCHDQ43_D083_D0851_D0851	BL44	MO_A_CAA2 16
16	MO_B_D0B52	BL71	DDROCHDQ44_D084_D0852_D0852	BL47	MO_A_CAA1 16
16	MO_B_D0B53	BL72	DDROCHDQ45_D085_D0853_D0853	BL47	MO_A_CAA3 16
16	MO_B_D0B54	BL73	DDROCHDQ46_D086_D0854_D0854	BL45	MO_A_CAA0 16
16	MO_B_D0B55	BL74	DDROCHDQ47_D087_D0855_D0855	BL45	MO_A_CAA4 16
16	MO_B_D0B56	BL75	DDROCHDQ48_D088_D0856_D0856	BL45	
16	MO_B_D0B57	BL76	DDROCHDQ49_D089_D0857_D0857	BL45	
16	MO_B_D0B58	BL77	DDROCHDQ50_D090_D0858_D0858	BL45	
16	MO_B_D0B59	BL78	DDROCHDQ51_D091_D0859_D0859	BL45	
16	MO_B_D0B60	BL79	DDROCHDQ52_D092_D0860_D0860	BL45	
16	MO_B_D0B61	BL80	DDROCHDQ53_D093_D0861_D0861	BL45	
16	MO_B_D0B62	BL81	DDROCHDQ54_D094_D0862_D0862	BL45	
16	MO_B_D0B63	BL82	DDROCHDQ55_D095_D0863_D0863	BL45	
16	MO_B_D0B64	BL83	DDROCHDQ56_D096_D0864_D0864	BL45	
16	MO_B_D0B65	BL84	DDROCHDQ57_D097_D0865_D0865	BL45	
16	MO_B_D0B66	BL85	DDROCHDQ58_D098_D0866_D0866	BL45	
16	MO_B_D0B67	BL86	DDROCHDQ59_D099_D0867_D0867	BL45	
16	MO_B_D0B68	BL87	DDROCHDQ60_D100_D0868_D0868	BL45	
16	MO_B_D0B69	BL88	DDROCHDQ61_D101_D0869_D0869	BL45	
16	MO_B_D0B70	BL89	DDROCHDQ62_D102_D0870_D0870	BL45	
16	MO_B_D0B71	BL90	DDROCHDQ63_D103_D0871_D0871	BL45	
16	MO_B_D0B72	BL91	DDROCHDQ64_D104_D0872_D0872	BL45	
16	MO_B_D0B73	BL92	DDROCHDQ65_D105_D0873_D0873	BL45	
16	MO_B_D0B74	BL93	DDROCHDQ66_D106_D0874_D0874	BL45	
16	MO_B_D0B75	BL94	DDROCHDQ67_D107_D0875_D0875	BL45	
16	MO_B_D0B76	BL95	DDROCHDQ68_D108_D0876_D0876	BL45	
16	MO_B_D0B77	BL96	DDROCHDQ69_D109_D0877_D0877	BL45	
16	MO_B_D0B78	BL97	DDROCHDQ70_D110_D0878_D0878	BL45	
16	MO_B_D0B79	BL98	DDROCHDQ71_D111_D0879_D0879	BL45	
16	MO_B_D0B80	BL99	DDROCHDQ72_D112_D0880_D0880	BL45	
16	MO_B_D0B81	BL100	DDROCHDQ73_D113_D0881_D0881	BL45	
16	MO_B_D0B82	BL101	DDROCHDQ74_D114_D0882_D0882	BL45	
16	MO_B_D0B83	BL102	DDROCHDQ75_D115_D0883_D0883	BL45	
16	MO_B_D0B84	BL103	DDROCHDQ76_D116_D0884_D0884	BL45	
16	MO_B_D0B85	BL104	DDROCHDQ77_D117_D0885_D0885	BL45	
16	MO_B_D0B86	BL105	DDROCHDQ78_D118_D0886_D0886	BL45	
16	MO_B_D0B87	BL106	DDROCHDQ79_D119_D0887_D0887	BL45	
16	MO_B_D0B88	BL107	DDROCHDQ80_D120_D0888_D0888	BL45	
16	MO_B_D0B89	BL108	DDROCHDQ81_D121_D0889_D0889	BL45	
16	MO_B_D0B90	BL109	DDROCHDQ82_D122_D0890_D0890	BL45	
16	MO_B_D0B91	BL110	DDROCHDQ83_D123_D0891_D0891	BL45	
16	MO_B_D0B92	BL111	DDROCHDQ84_D124_D0892_D0892	BL45	
16	MO_B_D0B93	BL112	DDROCHDQ85_D125_D0893_D0893	BL45	
16	MO_B_D0B94	BL113	DDROCHDQ86_D126_D0894_D0894	BL45	
16	MO_B_D0B95	BL114	DDROCHDQ87_D127_D0895_D0895	BL45	
16	MO_B_D0B96	BL115	DDROCHDQ88_D128_D0896_D0896	BL45	
16	MO_B_D0B97	BL116	DDROCHDQ89_D129_D0897_D0897	BL45	
16	MO_B_D0B98	BL117	DDROCHDQ90_D130_D0898_D0898	BL45	
16	MO_B_D0B99	BL118	DDROCHDQ91_D131_D0899_D0899	BL45	
16	MO_B_D0B100	BL119	DDROCHDQ92_D132_D0900_D0900	BL45	
16	MO_B_D0B101	BL120	DDROCHDQ93_D133_D0901_D0901	BL45	
16	MO_B_D0B102	BL121	DDROCHDQ94_D134_D0902_D0902	BL45	
16	MO_B_D0B103	BL122	DDROCHDQ95_D135_D0903_D0903	BL45	
16	MO_B_D0B104	BL123	DDROCHDQ96_D136_D0904_D0904	BL45	
16	MO_B_D0B105	BL124	DDROCHDQ97_D137_D0905_D0905	BL45	
16	MO_B_D0B106	BL125	DDROCHDQ98_D138_D0906_D0906	BL45	
16	MO_B_D0B107	BL126	DDROCHDQ99_D139_D0907_D0907	BL45	
16	MO_B_D0B108	BL127	DDROCHDQ100_D140_D0908_D0908	BL45	
16	MO_B_D0B109	BL128	DDROCHDQ101_D141_D0909_D0909	BL45	
16	MO_B_D0B110	BL129	DDROCHDQ102_D142_D0910_D0910	BL45	
16	MO_B_D0B111	BL130	DDROCHDQ103_D143_D0911_D0911	BL45	
16	MO_B_D0B112	BL131	DDROCHDQ104_D144_D0912_D0912	BL45	
16	MO_B_D0B113	BL132	DDROCHDQ105_D145_D0913_D0913	BL45	
16	MO_B_D0B114	BL133	DDROCHDQ106_D146_D0914_D0914	BL45	
16	MO_B_D0B115	BL134	DDROCHDQ107_D147_D0915_D0915	BL45	
16	MO_B_D0B116	BL135	DDROCHDQ108_D148_D0916_D0916	BL45	
16	MO_B_D0B117	BL136	DDROCHDQ109_D149_D0917_D0917	BL45	
16	MO_B_D0B118	BL137	DDROCHDQ110_D150_D0918_D0918	BL45	
16	MO_B_D0B119	BL138	DDROCHDQ111_D151_D0919_D0919	BL45	
16	MO_B_D0B120	BL139	DDROCHDQ112_D152_D0920_D0920	BL45	
16	MO_B_D0B121	BL140	DDROCHDQ113_D153_D0921_D0921	BL45	
16	MO_B_D0B122	BL141	DDROCHDQ114_D154_D0922_D0922	BL45	
16	MO_B_D0B123	BL142	DDROCHDQ115_D155_D0923_D0923	BL45	
16	MO_B_D0B124	BL143	DDROCHDQ116_D156_D0924_D0924	BL45	
16	MO_B_D0B125	BL144	DDROCHDQ117_D157_D0925_D0925	BL45	
16	MO_B_D0B126	BL145	DDROCHDQ118_D158_D0926_D0926	BL45	
16	MO_B_D0B127	BL146	DDROCHDQ119_D159_D0927_D0927	BL45	
16	MO_B_D0B128	BL147	DDROCHDQ120_D160_D0928_D0928	BL45	
16	MO_B_D0B129	BL148	DDROCHDQ121_D161_D0929_D0929	BL45	
16	MO_B_D0B130	BL149	DDROCHDQ122_D162_D0930_D0930	BL45	
16	MO_B_D0B131	BL150	DDROCHDQ123_D163_D0931_D0931	BL45	
16	MO_B_D0B132	BL151	DDROCHDQ124_D164_D0932_D0932	BL45	
16	MO_B_D0B133	BL152	DDROCHDQ125_D165_D0933_D0933	BL45	
16	MO_B_D0B134	BL153	DDROCHDQ126_D166_D0934_D0934	BL45	
16	MO_B_D0B135	BL154	DDROCHDQ127_D167_D0935_D0935	BL45	
16	MO_B_D0B136	BL155	DDROCHDQ128_D168_D0936_D0936	BL45	
16	MO_B_D0B137	BL156	DDROCHDQ129_D169_D0937_D0937	BL45	
16	MO_B_D0B138	BL157	DDROCHDQ130_D170_D0938_D0938	BL45	
16	MO_B_D0B139	BL158	DDROCHDQ131_D171_D0939_D0939	BL45	
16	MO_B_D0B140	BL159	DDROCHDQ132_D172_D0940_D0940	BL45	
16	MO_B_D0B141	BL160	DDROCHDQ133_D173_D0941_D0941	BL45	
16	MO_B_D0B142	BL161	DDROCHDQ134_D174_D0942_D0942	BL45	
16	MO_B_D0B143	BL162	DDROCHDQ135_D175_D0943_D0943	BL45	
16	MO_B_D0B144	BL163	DDROCHDQ136_D176_D0944_D0944	BL45	
16	MO_B_D0B145	BL164	DDROCHDQ137_D177_D0945_D0945	BL45	
16	MO_B_D0B146	BL165	DDROCHDQ138_D178_D0946_D0946	BL45	
16	MO_B_D0B147	BL166	DDROCHDQ139_D179_D0947_D0947	BL45	
16	MO_B_D0B148	BL167	DDROCHDQ140_D180_D0948_D0948	BL45	
16	MO_B_D0B149	BL168	DDROCHDQ141_D181_D0949_D0949	BL45	
16	MO_B_D0B150	BL169	DDROCHDQ142_D182_D0950_D0950	BL45	
16	MO_B_D0B151	BL170	DDROCHDQ143_D183_D0951_D0951	BL45	
16	MO_B_D0B152	BL171	DDROCHDQ144_D184_D0952_D0952	BL45	
16	MO_B_D0B153	BL172	DDROCHDQ145_D185_D0953_D0953	BL45	
16	MO_B_D0B154	BL173	DDROCHDQ146_D186_D0954_D0954	BL45	
16	MO_B_D0B155	BL174	DDROCHDQ147_D187_D0955_D0955	BL45	
16	MO_B_D0B156	BL175	DDROCHDQ148_D188_D0956_D0956	BL45	
16	MO_B_D0B157	BL176	DDROCHDQ149_D189_D0957_D0957	BL45	
16	MO_B_D0B158	BL177	DDROCHDQ150_D190_D0958_D0958	BL45	
16	MO_B_D0B159	BL178	DDROCHDQ151_D191_D0959_D0959	BL45	
16	MO_B_D0B160	BL179	DDROCHDQ152_D192_D0960_D0960	BL45	
16	MO_B_D0B161	BL180	DDROCHDQ153_D193_D0961_D0961	BL45	
16	MO_B_D0B162	BL181	DDROCHDQ154_D194_D0962_D0962	BL45	
16	MO_B_D0B163	BL182	DDROCHDQ155_D195_D0963_D0963	BL45	
16	MO_B_D0B164	BL183	DDROCHDQ156_D196_D0964_D0964	BL45	
16	MO_B_D0B165	BL184	DDROCHDQ157_D197_D0965_D0965	BL45	
16	MO_B_D0B166	BL185	DDROCHDQ158_D198_D0966_D0966	BL45	
16	MO_B_D0B167	BL186	DDROCHDQ159_D199_D0967_D0967	BL45	
16	MO_B_D0B168	BL187	DDROCHDQ160_D200_D0968_D0968	BL45	
16	MO_B_D0B169	BL188	DDROCHDQ161_D201_D0969_D0969	BL45	
16	MO_B_D0B170	BL189	DDROCHDQ162_D202_D0970_D0970	BL45	
16	MO_B_D0B171	BL190	DDROCHDQ163_D203_D0971_D0971	BL45	
16	MO_B_D0B172	BL191	DDROCHDQ164_D204_D0972_D0972	BL45	
1					



ECO No.		EMD	##ftp: www.emdcor.com
DesigName		EMD	
Rev/Lead		EMD	
Approved		EMD	
DO NOT REPRODUCE	EMD	SCHMATIC	DrawIng No.
FOR INTERNAL USE ONLY	EMD	Customer	Rev: V1.0
		DATE: Wednesday November 24 2010	Sheet: 5 of 55



Emdoor Confidential

CAD NOTE:
PLACE R1003 CLOSE TO PINS C5 AND C6

CAD NOTE:
PLACE R1005 CLOSE TO PIN U12

ECO No.		www.emdoor.com
Checked		
Reviewed		
Approved		
DO NOT REPRODUCER	Site	SCHMATIC
Rev. 1.0	Customer	Drawing No.
See terminals, case only	Date: Wednesday, December 21, 2017	Sheet 8 of 13

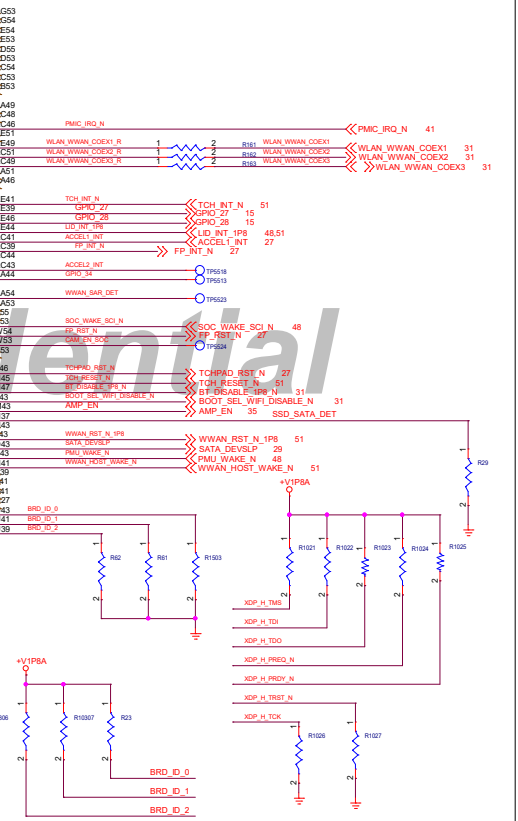
U1000
N6000
25C4 P54MM_100_K02
STUFF
BASE

IN620882760

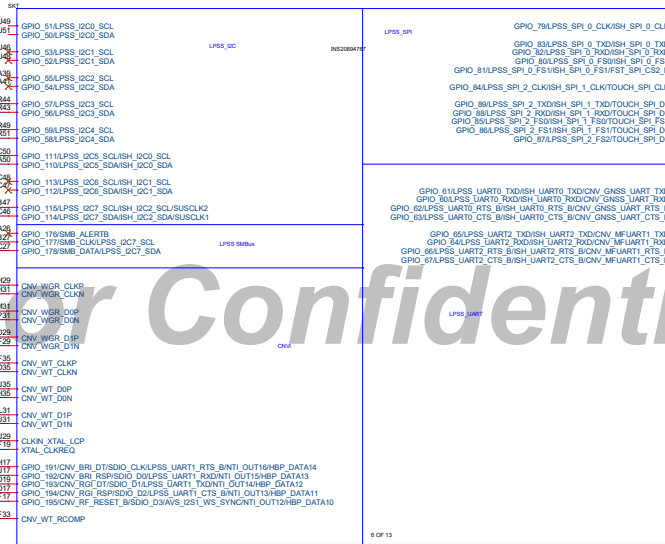
XDP_H_TCK AH53 GPIO_5UTAGX
 XDP_H_VID AL54 GPIO_0ITCK
 XDP_H_VID AL54 GPIO_3ITDI
 XDP_H_VID AL54 GPIO_4ITDO
 XDP_H_VID AK53 GPIO_2ITMS
 XDP_H_TRST_N AK53 GPIO_1TRST_B

XDP_H_PROV_N AH55 GPIO_7IXD_PROV_B
 XDP_H_PREQ_N AL53 GPIO_6CX_PREQ_B

GPIO_8ICNV_DEBUG_09ICNV_DEBUG_00TRACE_0_CLK_VNNTRACE_0_CLK_AONTRACE_CNV_CLK_AONNTI_IN0I0M_PL1TESTDBG
 GPIO_9ICNV_DEBUG_10ICNV_DEBUG_01TRACE_0_DATA0_VNNTRACE_0_DATA0_AONTRACE_CNV_DATA0_AONNTI_IN1I0LM_TCKLE
 GPIO_10ICNV_DEBUG_11ICNV_DEBUG_02TRACE_0_DATA1_VNNTRACE_0_DATA1_AONTRACE_CNV_DATA1_AONNTI_IN2
 GPIO_11ICNV_DEBUG_12ICNV_DEBUG_03TRACE_0_DATA2_VNNTRACE_0_DATA2_AONTRACE_CNV_DATA2_AONNTI_IN3
 GPIO_12ICNV_DEBUG_13ICNV_DEBUG_04TRACE_0_DATA3_VNNTRACE_0_DATA3_AONTRACE_CNV_DATA3_AONNTI_IN4
 GPIO_13ICNV_DEBUG_14ICNV_DEBUG_05TRACE_0_DATA4_VNNTRACE_0_DATA4_AONTRACE_CNV_DATA4_AONNTI_IN5
 GPIO_14ICNV_DEBUG_15ICNV_DEBUG_06TRACE_0_DATA5_VNNTRACE_0_DATA5_AONTRACE_CNV_DATA5_AONNTI_IN6
 GPIO_15ICNV_DEBUG_16ICNV_DEBUG_07TRACE_0_DATA6_VNNTRACE_0_DATA6_AONTRACE_CNV_DATA6_AONNTI_IN7
 GPIO_16ICNV_DEBUG_17ICNV_DEBUG_08TRACE_0_DATA7_VNNTRACE_0_DATA7_AONNTI_IN8
 GPIO_17ICNV_MFUART0_RXDCNV_DEBUG_00TRACE_1_CLK_VNNTRACE_1_CLK_AONTRACE_CNV_CLK_AONNTI_IN9
 GPIO_18ICNV_MFUART0_TXDCNV_DEBUG_01TRACE_1_DATA0_VNNTRACE_1_DATA0_AONTRACE_CNV_DATA0_AONNTI_IN10
 GPIO_19ICNV_MFUART0_RTS_BICNV_DEBUG_02TRACE_1_DATA1_VNNTRACE_1_DATA1_AONTRACE_CNV_DATA1_AONNTI_IN11
 GPIO_20ICNV_MFUART0_CTS_BICNV_DEBUG_03TRACE_1_DATA2_VNNTRACE_1_DATA2_AONTRACE_CNV_DATA2_AONNTI_IN12
 GPIO_21ICNV_MFUART2_RXDCNV_DEBUG_04TRACE_1_DATA3_VNNTRACE_1_DATA3_AONTRACE_CNV_DATA3_AONNTI_IN13
 GPIO_22ICNV_MFUART2_TXDCNV_DEBUG_05TRACE_1_DATA4_VNNTRACE_1_DATA4_AONTRACE_CNV_DATA4_AONNTI_IN14
 GPIO_23ICNV_GNSS_PA_BLANKINGCNV_DEBUG_06PMIC_STDBYTRACE_1_DATA5_VNNTRACE_1_DATA5_AONNTI_IN15TAM_CMD
 GPIO_24ICNV_GNSS_FTACNV_DEBUG_07PMIC_PRRGOODTRACE_1_DATA6_VNNTRACE_1_DATA6_AONNTI_IN16TAM_RST
 GPIO_25ICNV_GNSS_SYSCNV_DEBUG_08PMIC_RESET_BTRACE_1_DATA7_VNNTRACE_1_DATA7_AONNTI_IN17TAM_CLK
 GPIO_26ISH_GPIO_0LPSS_UART1_RXDISH_UART1_RXDCNV_BT_UART_RXDTRACE_2_CLK_VNNTRACE_2_CLK_AONNTI_IN19TAM_DATA_IN_0
 GPIO_27ISH_GPIO_1LPSS_UART1_TXDISH_UART1_TXDCNV_BT_UART_TXDTRACE_2_DATA0_VNNTRACE_2_DATA0_AONNTI_IN19TAM_DATA_IN_1
 GPIO_28ISH_GPIO_2LPSS_UART1_RTS_BISH_UART1_RTS_BICNV_BT_UART_RTS_BTRACE_2_DATA1_VNNTRACE_2_DATA1_AONNTI_IN20TAM_DATA_IN_2
 GPIO_29ISH_GPIO_3LPSS_UART1_CTS_BISH_UART1_CTS_BICNV_BT_UART_CTS_BTRACE_2_DATA2_VNNTRACE_2_DATA2_AONNTI_IN21TAM_DATA_IN_3
 GPIO_30ISH_GPIO_4SATA_GPIOTRACE_2_DATA3_VNNTRACE_2_DATA3_AONNTI_IN22TAM_DATA_IN_4
 GPIO_31ISH_GPIO_5SATA_GPIOTRACE_2_DATA4_VNNTRACE_2_DATA4_AONNTI_IN23TAM_DATA_IN_5
 GPIO_32ISH_GPIO_6SATA_DEVSLOTTRACE_2_DATA5_VNNTRACE_2_DATA5_AONNTI_IN24TAM_DATA_IN_6
 GPIO_33ISH_GPIO_7SATA_DEVSLOTTRACE_2_DATA6_VNNTRACE_2_DATA6_AONNTI_IN25TAM_DATA_IN_7
 GPIO_34ISH_GPIO_8SATA_LEDN_SUSCLK2TRACE_2_DATA7_VNNTRACE_2_DATA7_AONNTI_IN26TAM_DATA_IN_8
 GPIO_35ISH_GPIO_9SPKRTRACE_3_CLK_VNNBSS_CLKNTI_IN27TAM_DATA_IN_9
 GPIO_36ICNV_BTENTRACE_3_DATA0_VNNBSS_DINNTI_IN28TAM_DATA_IN_10
 GPIO_37ICNV_GBNTRACE_3_DATA1_VNNBSS_OUTNTI_IN29TAM_DATA_IN_11
 GPIO_38ICNV_WFENTRACE_3_DATA2_VNNBSS_OUTNTI_IN30TAM_DATA_IN_12
 GPIO_39ICNV_VCNTRACE_3_DATA3_VNNBSS_OUTNTI_IN31TAM_DATA_IN_13
 GPIO_40ICNV_BT_HOST_WAKEBTRACE_3_DATA4_VNNBSS_OUTNTI_IN32TAM_DATA_IN_14
 GPIO_41ICNV_GNSS_HOST_WAKEBTRACE_3_DATA5_VNNBSS_OUTNTI_IN33TAM_DATA_IN_15
 GPIO_105
 GPIO_106
 GPIO_107
 GPIO_108
 GPIO_109
 GPIO_110
 GPIO_111
 GPIO_112
 GPIO_113
 GPIO_114
 GPIO_115
 GPIO_116
 GPIO_117
 GPIO_118
 GPIO_119
 GPIO_120
 GPIO_121
 GPIO_122
 GPIO_123
 GPIO_124

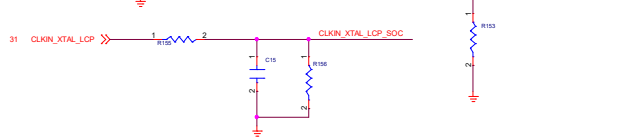


U100P
M200P
B30E
2004 P48M1_500_K02
STUFF



Major Confidential

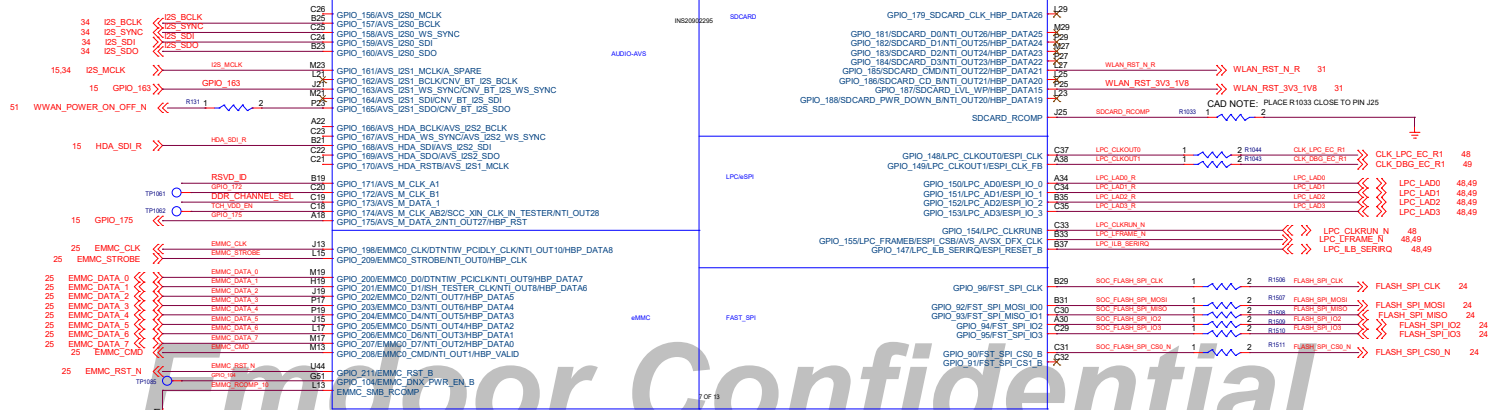
CAD NOTE:
PLACE R1032 CLOSE TO PIN F33



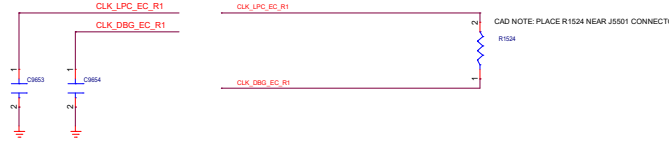
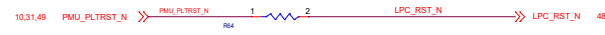
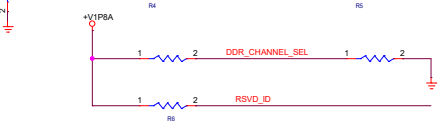
ECO No.		WINDOR 芯电电子	#http://www.windor.com
Designator			
Reference			
Approved			
DO NOT REPRODUCED	SCALE	SCHEMATIC	Drawing No. Rev. V1.0
FOR EXTERNAL USE ONLY	DATE	Wednesday, November 21, 2018	Sheet 8 of 55

U1000
N400
SD30L PH48M_100_K02
STUFF
BASE

BKT

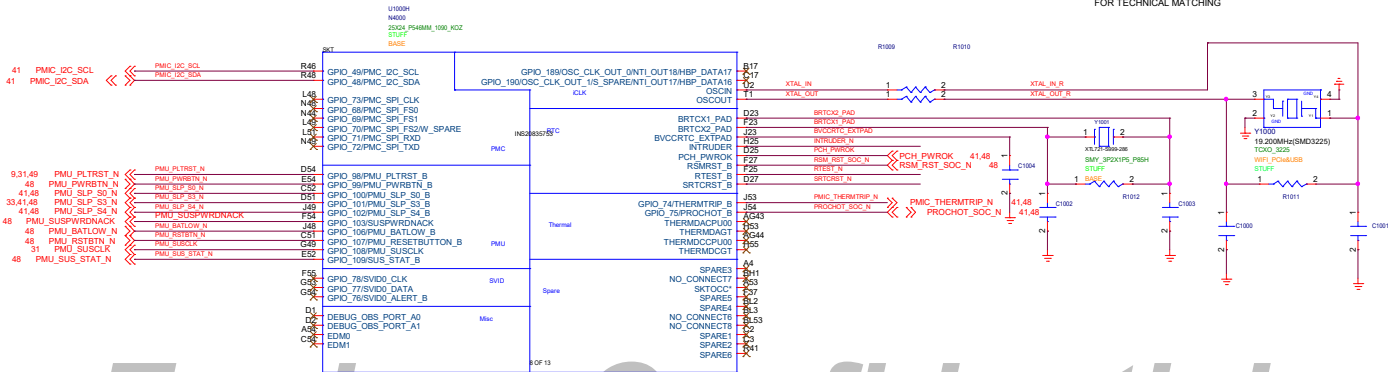


CAD NOTE:
EMMC_RCOMP SIGNAL
TRACE WIDTH: 10 MILS
LENGTH : 0.5 INCH
PLACE CLOSE TO PIN L13

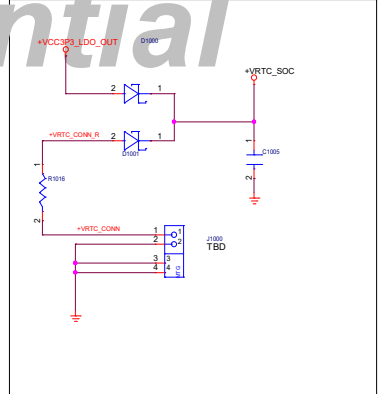
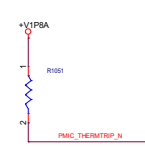
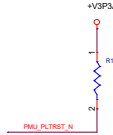
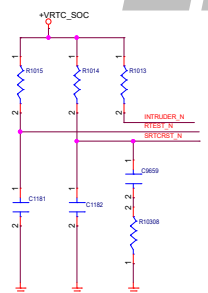


ECO No.			
Design			#Etp: www.emdoor.com
Revised			
Approved			
DO NOT REPRODUC	EM	SCHEMATIC	Drawing No. V1.0
See terminals, cap. only	Date: Wednesday, December 21, 2016	Sheet 9	of 53

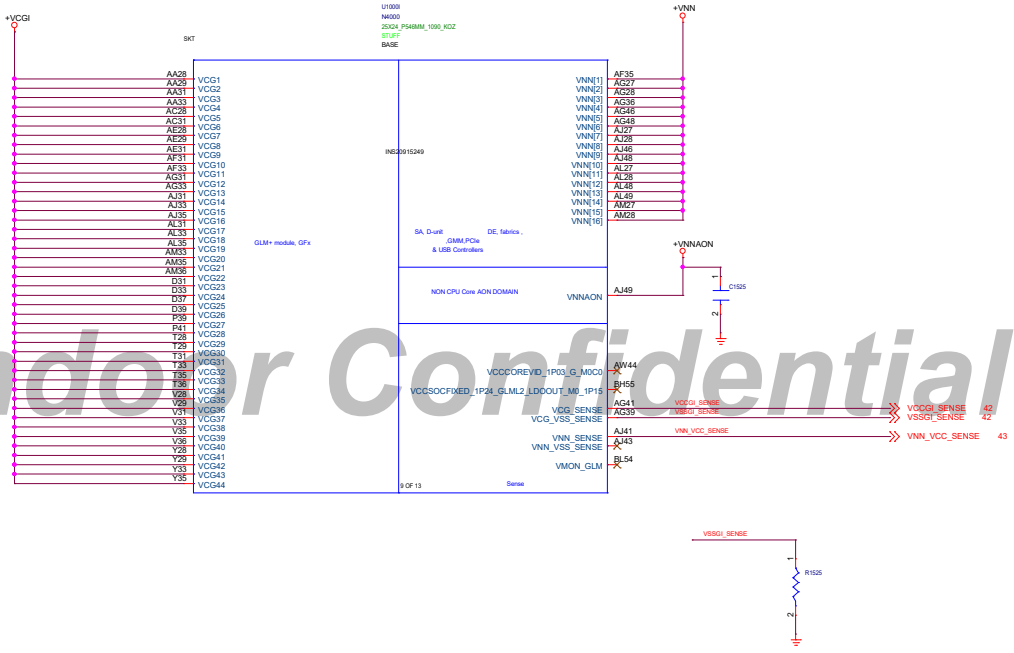
NOTE:
NEED TO CHECK APL CRYSTAL
FOR TECHNICAL MATCHING



Emdoor Confidential

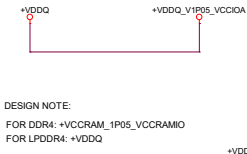


ECO No.		http://www.emdoor.com	
Design			
Reviewed			
Approved			
DO NOT REPRODUCE	EMDOOR	SCHEMATIC	Drawing No.
For internal use only	Custom		Rev. V1.0
		Date: Wednesday, November 24, 2010 10:00 AM	



Emdoor Confidential

ECO No.		#http: www.emdoor.com	
Design		EMDOOR 威门电子	
Reviewed			
Approved			
DO NOT REPRODUC	Site	SCHMATIC	Drawing No.
see comments, use only	Customer		Rev. V1.0
		Date: Wednesday, December 21, 2017	Sheet 11 of 53



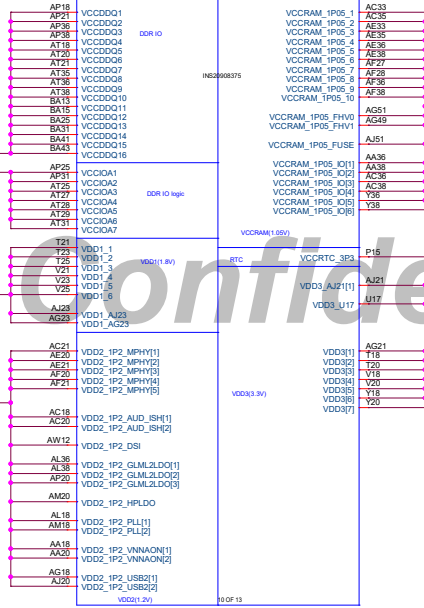
U1000
N400
252A PS40AM_100_K02
375FF
BASE

+VDDQ_V1P05_VCCIOA

+VDDQ

+V1P5A_SOC

+VDD1P2A



Emdoor Confidential

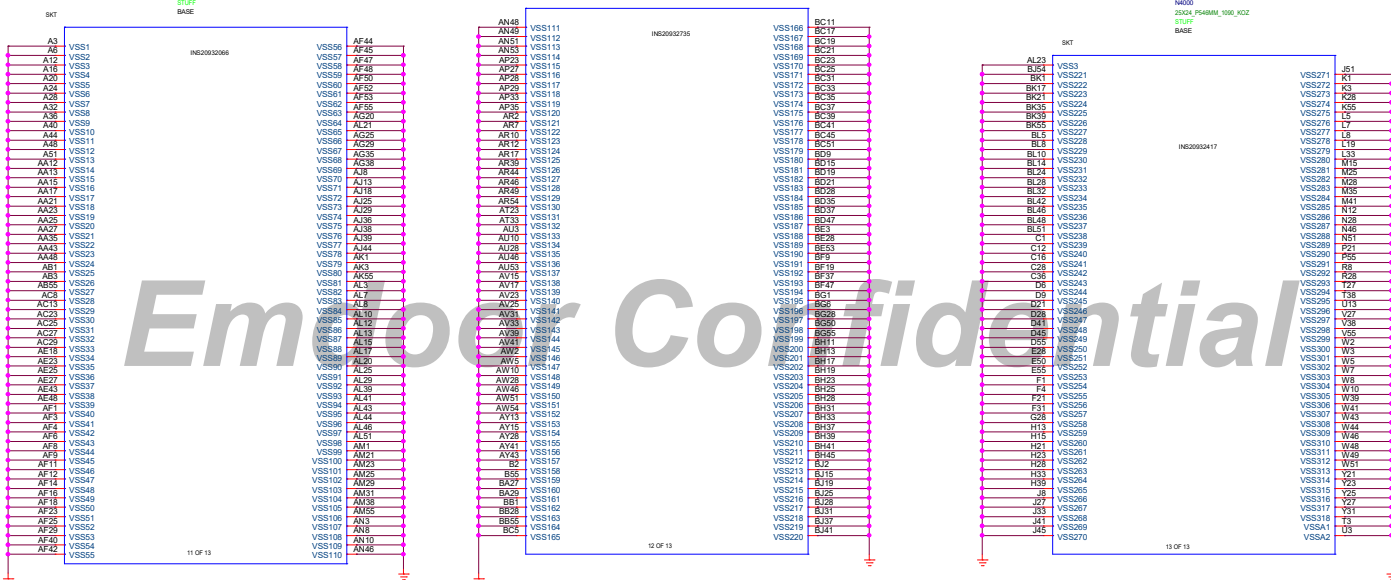
ECO No.		http://www.emdoor.com	
Designer		EMDOOR 代电电子	
Drawn		Title:	
Approved		Type: SCHEMATIC	
DO NOT REPRODUCE	THIS	Customer	Drawing No. Rev. V1.0
For internal use only	ZHGF	Wednesday, November 21, 2018	Sheet 12 of 56

SOC: GND

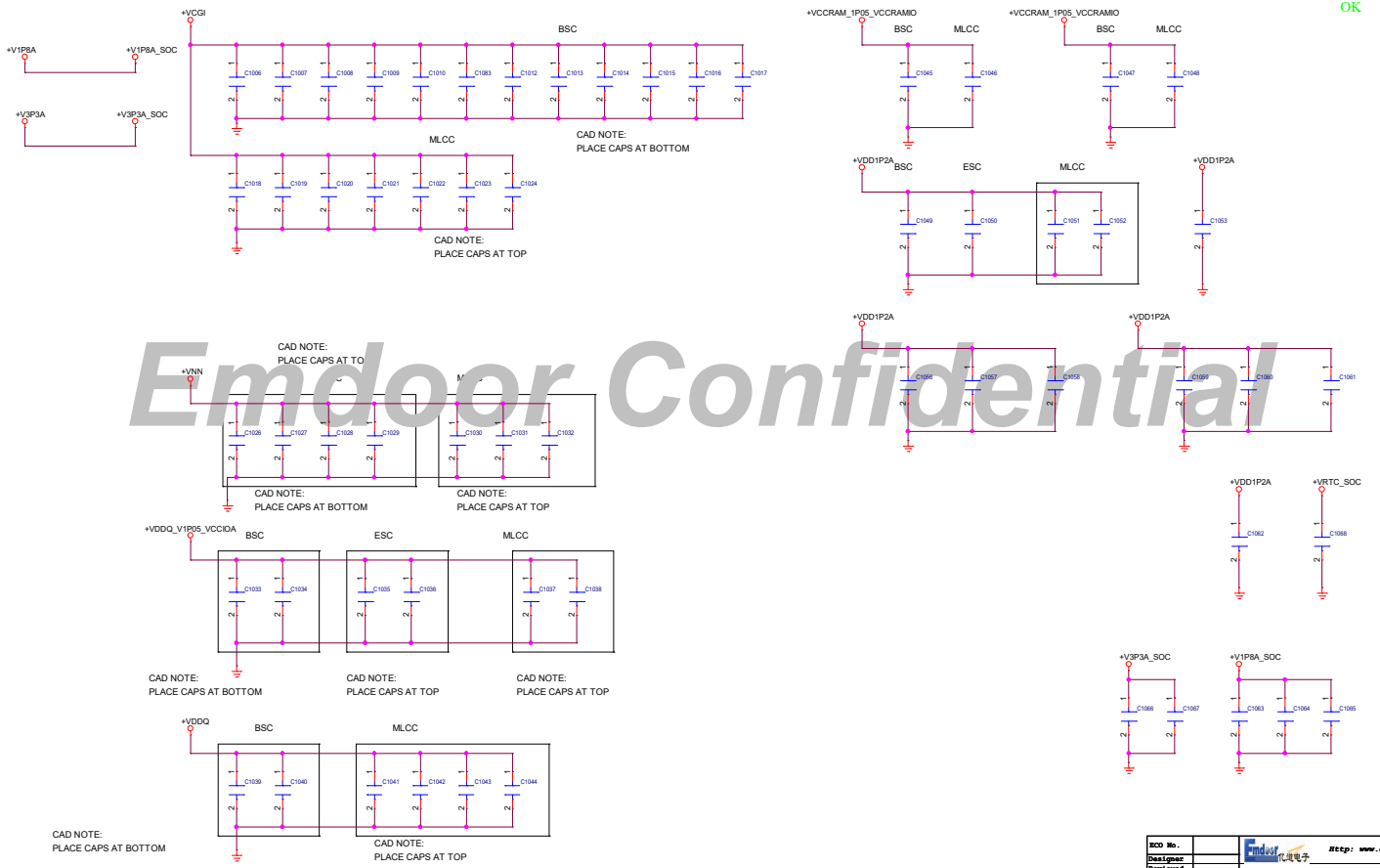
U100K
N000
2524_P548MM_100_KCZ
STUFF
BASE

U000L
N000L
2524_P548MM_100_KCZ
STUFF
BASE

U1000M
N000M
2524_P548MM_100_KCZ
STUFF
BASE

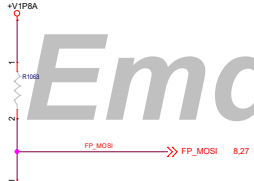
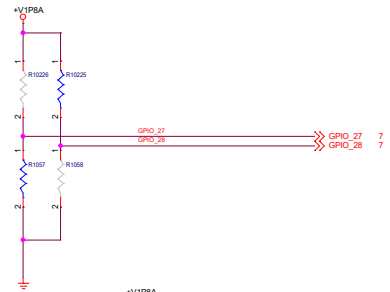
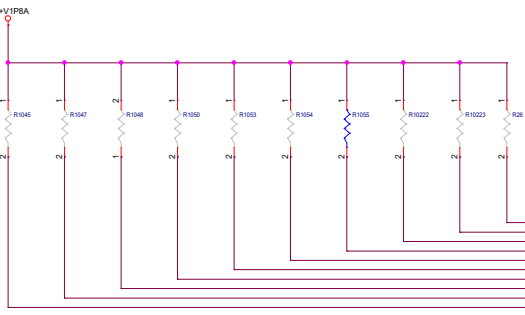


ECO No.		Emdoor 代埋電子	#http: www.emdoor.com
Design			
Reviewed			
Approved			
DO NOT REPRODUCER use without our allow	File Schematic	Drawing No.	Rev. V1.0
	Date: Wednesday, December 21, 2017	Sheet	15 of 53

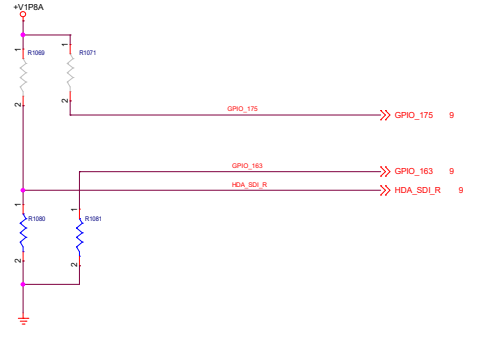


Emdoor Confidential

ECO No.		EMDOOR 亿道电子		#http: www.emdoor.com
Design				
Reviewed				
Approved		Title		
DO NOT REPRODUC	Site	SCHMATIC	Drawing No.	Rev.
See comments on only	Customer			V1.0
	Date: Wednesday, December 21, 2016	Sheet	14	of 63

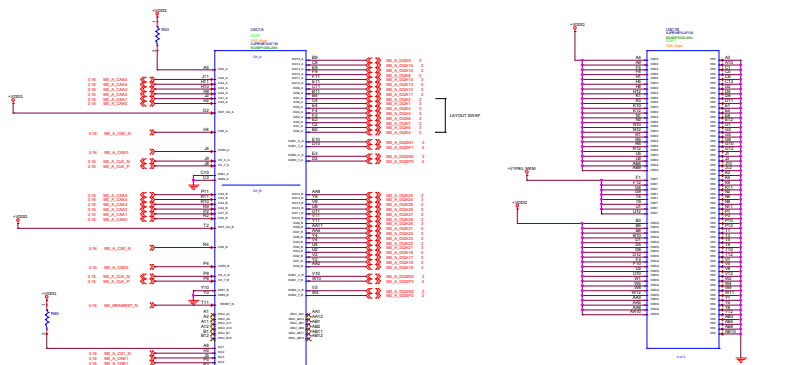


NOTE:
AVS_I2S1_WS_SYNC, HDA_SDI HAS INTERNAL 20K PD AS PER EDS
BUT IN RVP IT IS STUFFED 1K PD. NEED CLARIFICATION

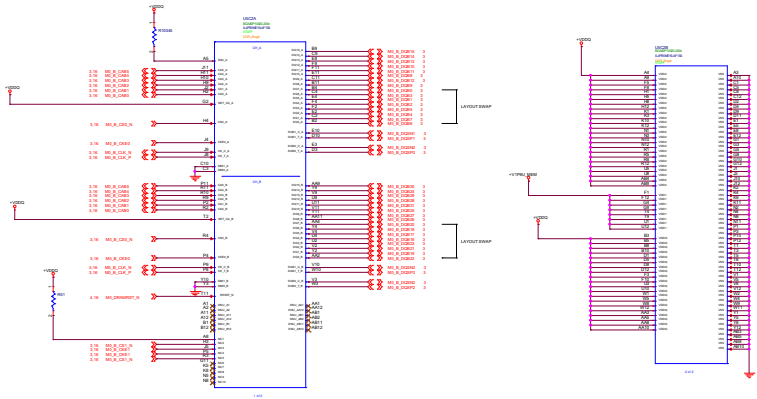


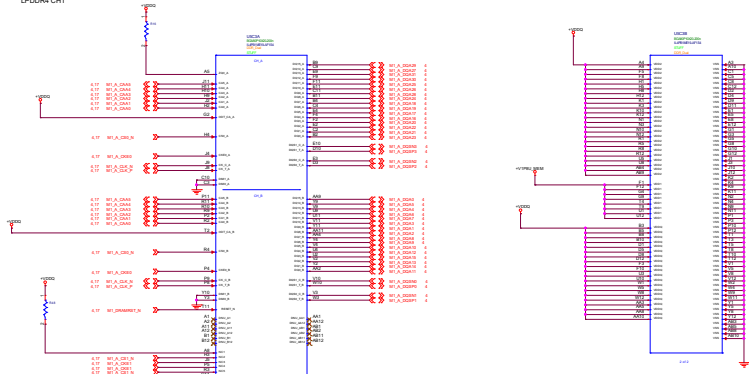
Emdoor Confidential

ECO No.		EMDOOR 威道电子		#http: www.emdoor.com
Design				
Reviewed				
Approved				
DO NOT REPRODUCED	Site	Customer	Drawing No.	Rev.
www.emdoor.com.cn	DATE: Wednesday, December 21, 2017	Sheet 15	of 53	V1.0

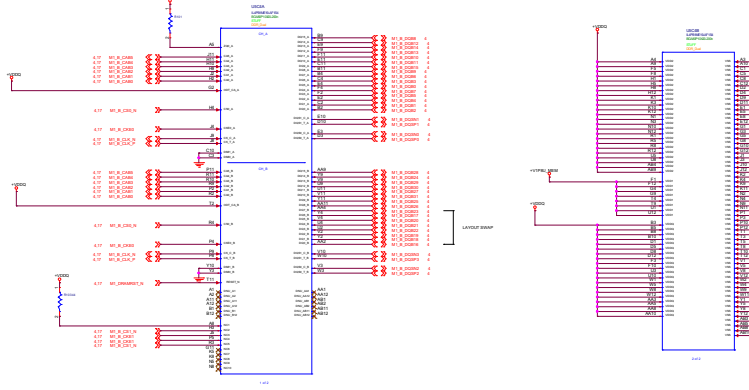


Endoor Confidential







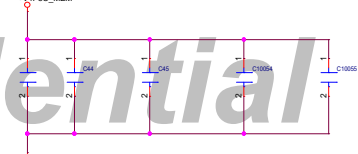
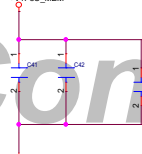
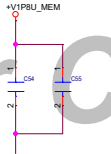
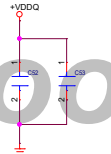
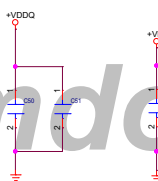
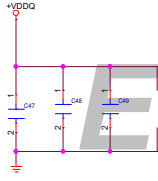
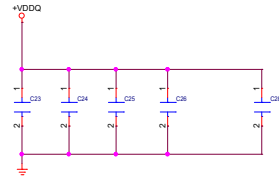
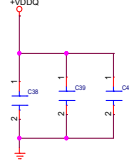
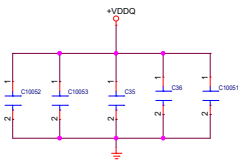
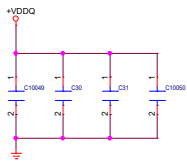
Emdoor Confidential



ECO No.		 模电电子	http://www.madder.com
Designer			
Reviewed			
Approved			
DO NOT REPRODUCE	Sheet	SCHEMATIC	Drawing No.
FOR INTERNAL USE ONLY	Count		Rev.
	DATE: Wednesday, October 13, 2010	Sheet 19	of 55

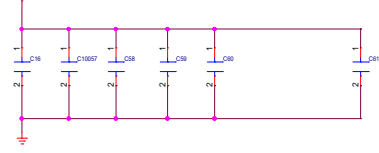
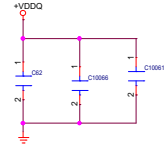
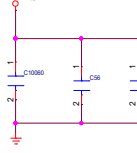
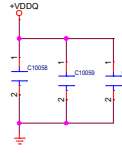
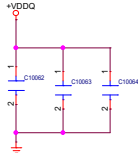
ECO No.		 化境电子	Http: www.4mat.com
Designer			
Drawn			
Approved		TIME:	
DO NOT REPRODUCE	REVISION	Drawing No.	REV
FOR INTERNAL USE ONLY	CUSTOMER		V1.0
		DATE: Wednesday, October 13, 2010	SHEET: 20 of 55

ECO No.			http://www.eindoor.com
Designer			
Drawn			
Approved		Title:	
DO NOT REPRODUCE	SEE	SCHEMATIC	Drawing No.
FOR UNAUTHORIZED USE ONLY	CUSTOMER	DATE: Wednesday, October 13, 2010	Rev. V1.0
			Sheet 21 of 58



FOUR 0402 IN MID CHANNEL

TWO 0402 ON EACH END CHANNEL



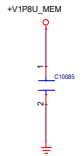
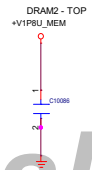
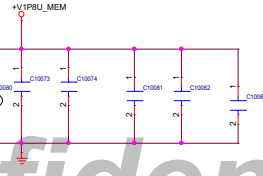
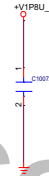
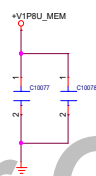
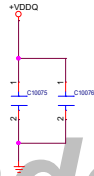
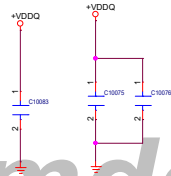
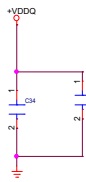
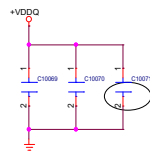
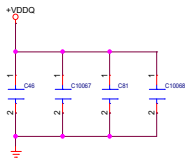
NOTE: PLACE ON TOP - 4 PER DEVICE

NOTE: PLACE ON TOP - 4 PER DEVICE

Emdoor Confidential

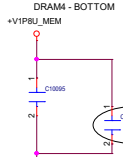
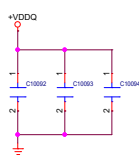
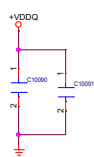
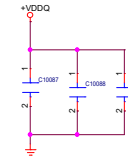
ECO No.		 http://www.emdoor.com	
Designer			
Reviewed			
Approved			
DO NOT REPRODUC	8158	SCHEMATIC	Drawing No.
FOR INTERNAL USE ONLY	Custom		Rev.
			V1.0
			Page: Wednesday, November 24, 2010 12:28:22 PM 22 of 55

VDDQ DECAPS



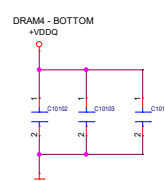
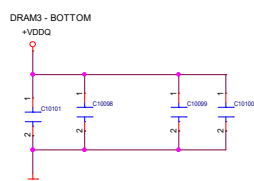
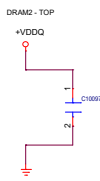
Endoor Confidential

FOUR 0402 IN 1 HANN

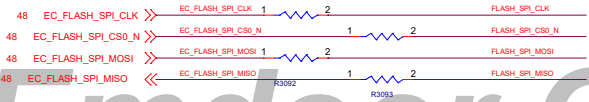
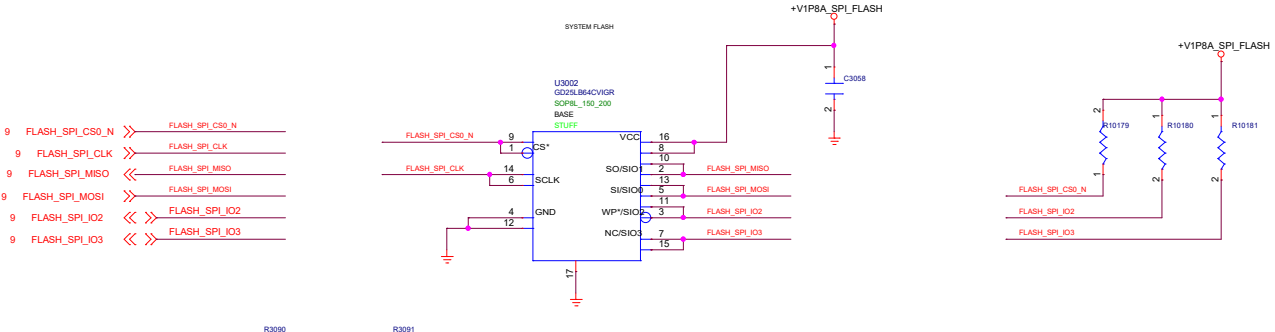


NOTE: PLACE ON TOP - 4 PER DEVICE

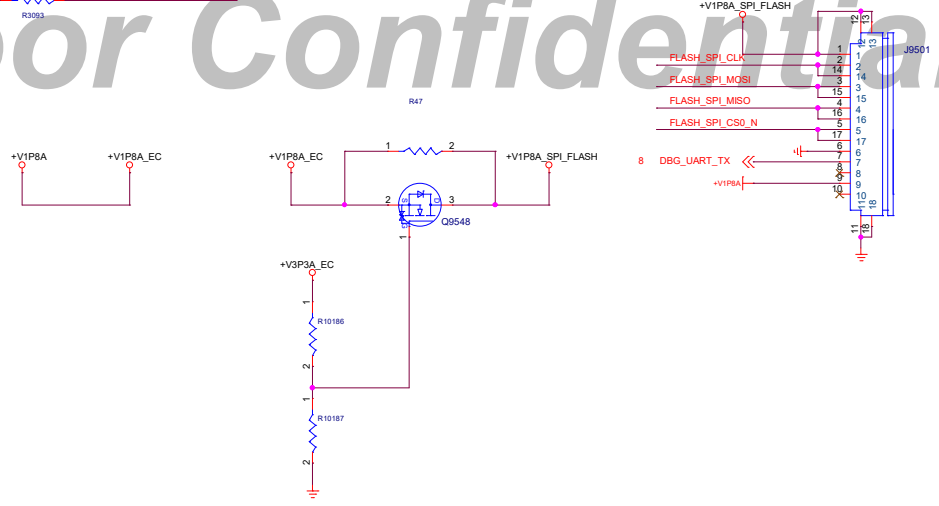
NOTE: PLACE ON TOP - 4 PER DEVICE



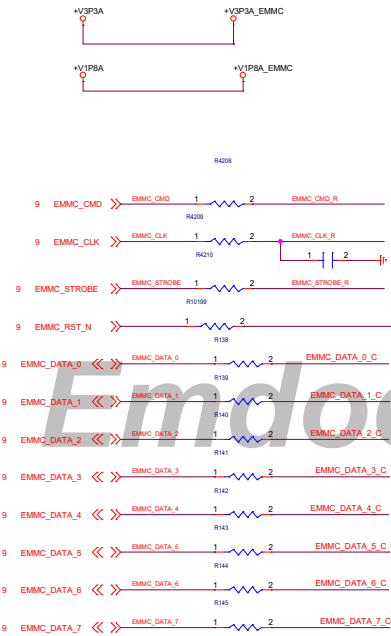
ECO No.		http://www.endoor.com	
Designer		Endoor 芯微电子	
Reviewed			
Approved			
DO NOT REPRODUCE	SESS	SCHEMATIC	Drawing No.
FOR INTERNAL USE ONLY	Custom		Rev.
			V1.0
			Page: Wednesday, November 24, 2010 11:28 AM 23 of 35



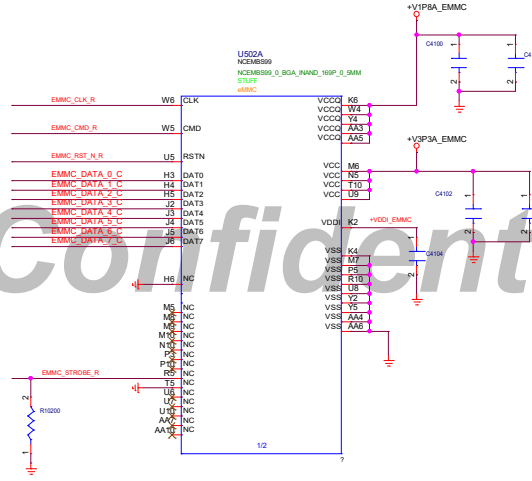
Emdoor Confidential



ECO No.		Emdoor 亿通电子	#ftp: www.emdoor.com
Designer			
Reviewed			
Approved			
DO NOT REPRODUCE	FOR INTERNAL USE ONLY	Title: SCHEMATIC	Drawing No. V1.0
		Date: Wednesday, November 24, 2010	Sheet 24 of 55



TO BE REPLACED WITH THGBMH8C4LBAIR



U502B
NCEM899
NCEM899_0_BGA_IN4D_16P_0_SAM
STUFF
EMMC

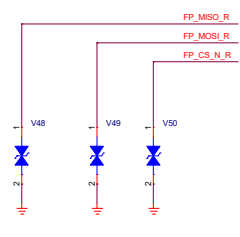
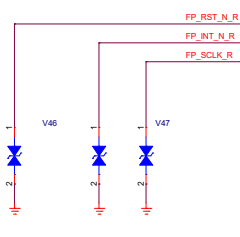
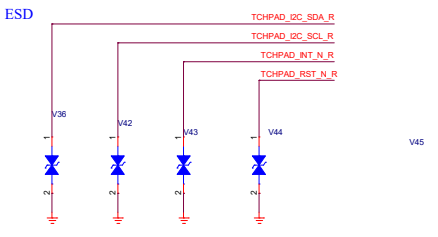
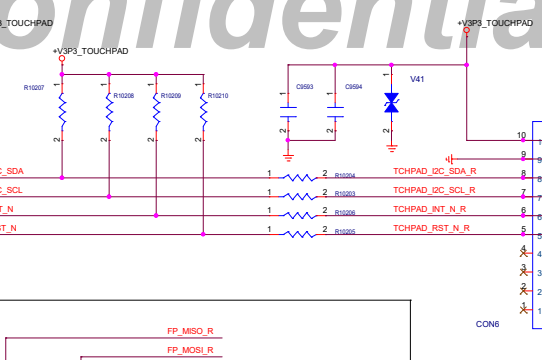
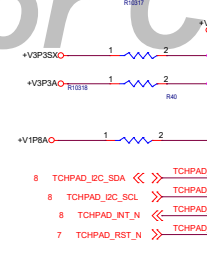
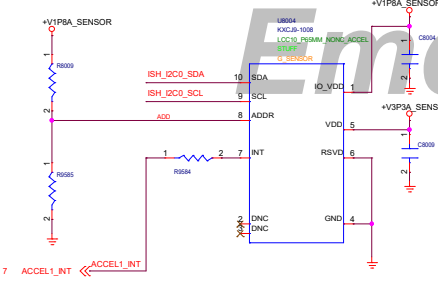
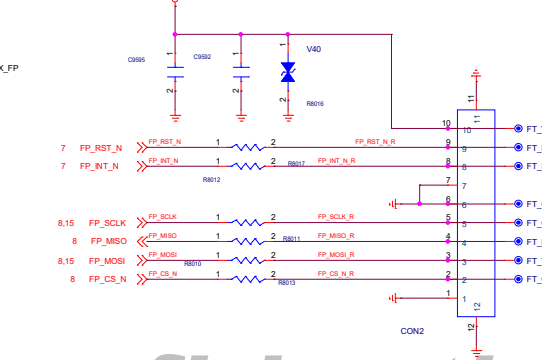
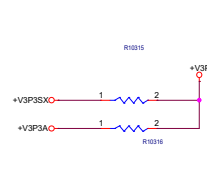
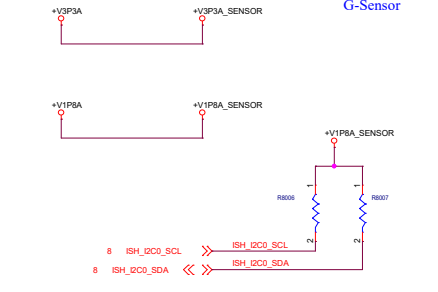
A4	NC_1	NC_48	L3
A5	NC_4	NC_41	L2
NC_5	NC_5	NC_42	L2
B1	NC_6	NC_43	L3
D1	NC_7	NC_44	L4
D2	NC_8	NC_45	L1
H1	NC_9	NC_46	L2
A7	NC_10	NC_47	L3
V7	NC_100	NC_48	L12
W5	NC_101	NC_49	L13
W6	NC_102	NC_50	L14
Y5	NC_103	NC_51	L1
Y10	NC_104	NC_52	L2
Y15	NC_105	NC_53	L3
Y16	NC_106	NC_54	L12
Y17	NC_107	NC_54	L13
AA1	NC_108	NC_56	L14
A7	NC_109	NC_57	L1
H8	NC_11	NC_58	L2
AA5	NC_110	NC_59	L2
AA6	NC_111	NC_60	L3
AA7	NC_112	NC_61	L4
AA8	NC_113	NC_62	L1
AA9	NC_114	NC_63	L2
AA10	NC_115	NC_64	L3
AA11	NC_116	NC_65	L12
AA12	NC_117	NC_66	L13
AA13	NC_118	NC_67	L14
AG1	NC_119	NC_68	L1
AG2	NC_12	NC_69	L2
AG3	NC_120	NC_70	L3
AG4	NC_121	NC_71	L4
AG5	NC_122	NC_72	L1
AG6	NC_123	NC_73	L2
AG7	NC_124	NC_74	L3
AG8	NC_14	NC_75	L4
AG9	NC_15	NC_76	L1
AG10	NC_16	NC_77	L2
AG11	NC_17	NC_78	L3
AG12	NC_18	NC_79	L4
J7	NC_19	NC_80	L1
AG13	NC_2	NC_81	L2
AG14	NC_20	NC_82	L3
AG15	NC_21	NC_83	L4
J10	NC_22	NC_84	L1
J11	NC_23	NC_85	L2
J12	NC_24	NC_86	L3
J13	NC_25	NC_87	L4
J14	NC_26	NC_88	L1
X1	NC_27	NC_89	L2
AG	NC_3	NC_90	L3
NC_30	NC_30	NC_91	L4
NC_31	NC_31	NC_92	L1
NC_32	NC_32	NC_93	L2
NC_33	NC_33	NC_94	L3
NC_34	NC_34	NC_95	L4
NC_35	NC_35	NC_96	L1
NC_36	NC_36	NC_97	L2
NC_37	NC_37	NC_98	L3
NC_38	NC_38	NC_99	L4
NC_39	NC_39	NC_100	L1

ECO No.		#ftp: www.emdoor.com
Designer		
Rev/Lead		
Approved		
DO NOT REPRODUCE	EMMC	Drawing No.
FOR INTERNAL USE ONLY	SCHMATIC	Rev
	DATE: Wednesday, November 24, 2010	Sheet: 25 of 56

ECO No.		 http://www.endoor.com
Designer		代通电子
Reviewed		
Approved		
DO NOT REPRODUCE	DATE	Drawing No.
FOR INTERNAL USE ONLY	Created	1_V1.0
	DATE	Wednesday, October 13, 2010
		Sheet 26 of 50

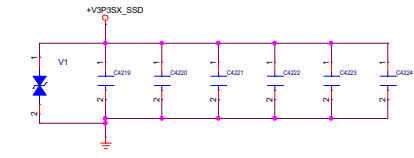
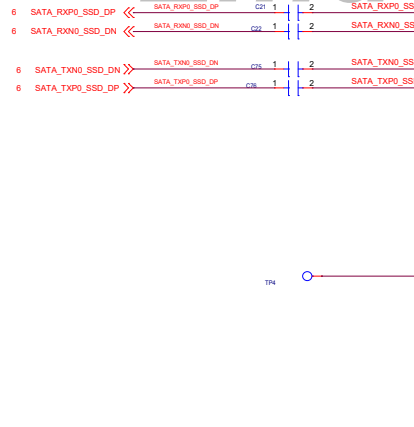
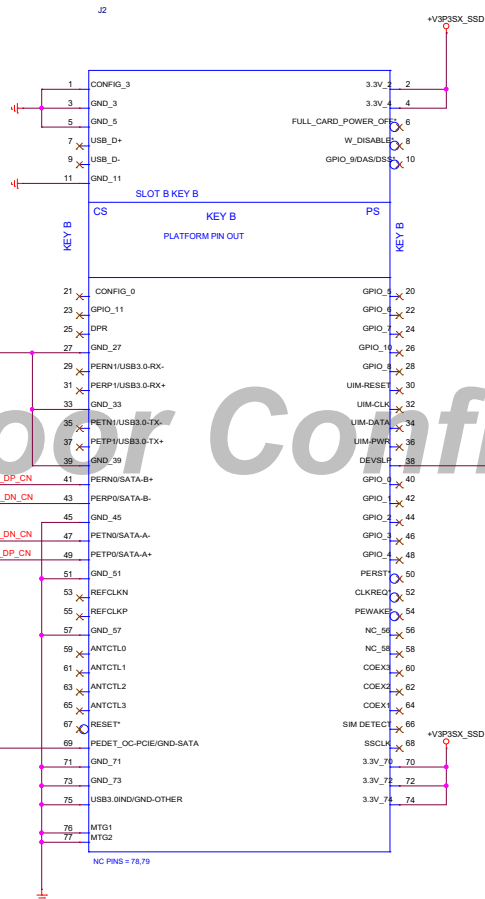
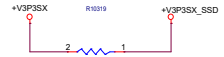
G-Sensor

Finger Print



ECO No.		www.ami400r.com
Designer		
Rev/Lead		
Approved		
DO NOT REPRODUCE	WITHOUT PERMISSION	Customer
FOR INTERNAL USE ONLY	DATE: Wednesday November 24 2010	Sheet: 27 of 55

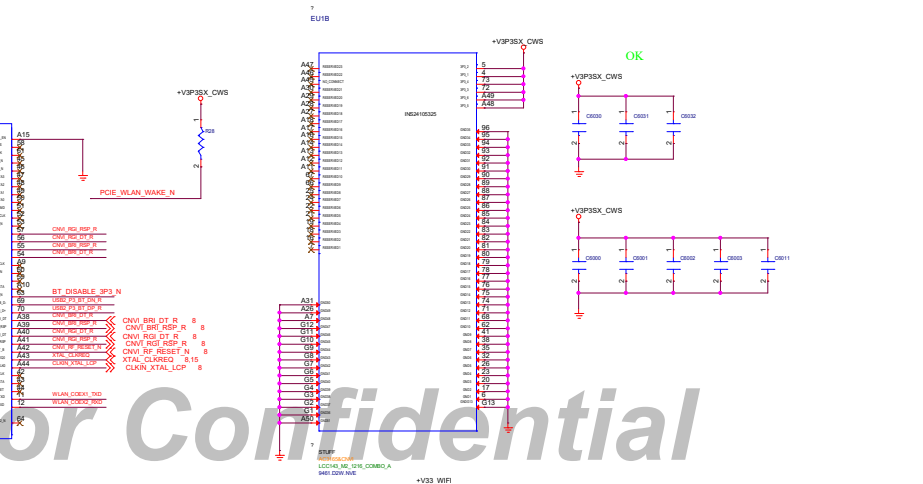
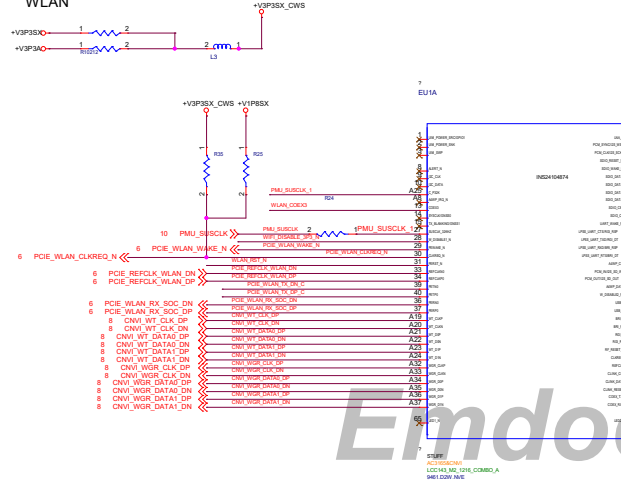
ECO No.		 Http: www.emdoor.com		
Designer				
Reviewed				
Approved		Title:		
DO NOT REPRODUCE	Size Custom	SCHEMATIC	Drawing No.	Rev.
FOR INTERNAL USE ONLY	<i>Date:</i> Wednesday, October 13, 2021		Sheet 28 of 55	V1.0



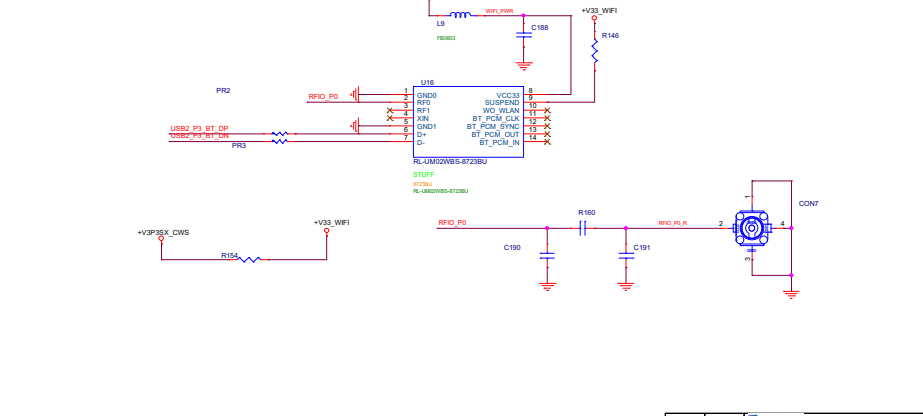
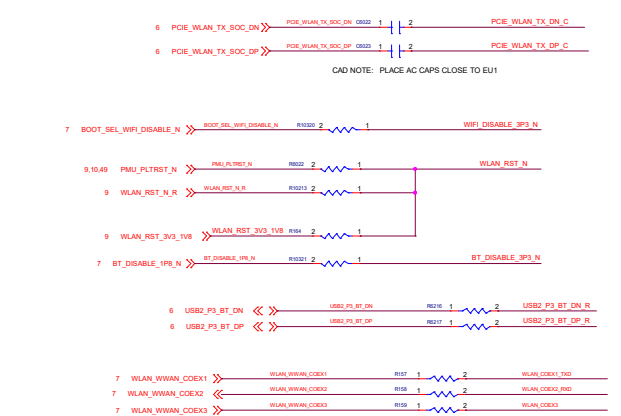
Emdoor Confidential

ECO No.		http: www.emdoor.com	
Designer		EMDOOR 代成电子	
Checked			
Approved		Title:	
DO NOT REPRODUCE	SEE	SCHEMATIC	Drawing No. Ver.
FOR TERMINAL USE ONLY	ZHGF	Wednesday, November 21, 2018	29 of 56

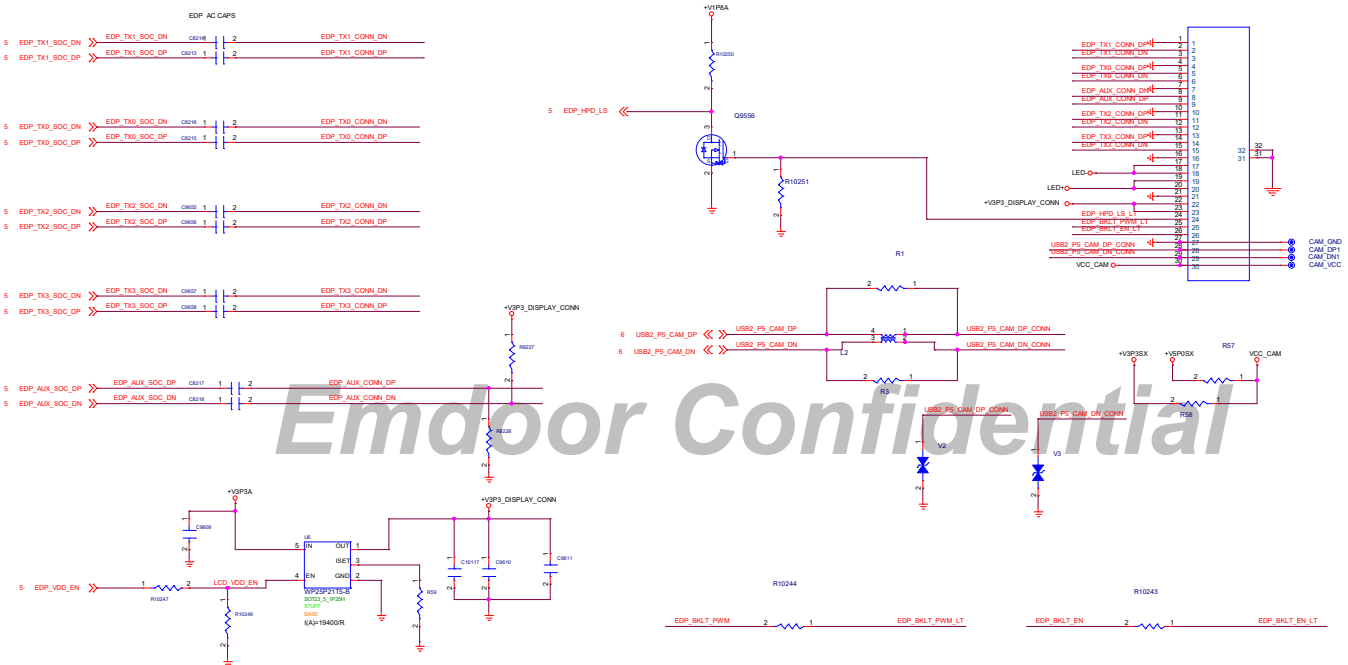
ECO No.			http://www.madcoor.com
Designer			
Designer			
Designer			
Designer			
no for reference	Sheet	SCHMATIC	Drawing No.
no for reference	Count	1	Rev.
no for reference	DATE	Wednesday, October 11, 2017	Sheet 30 of 35



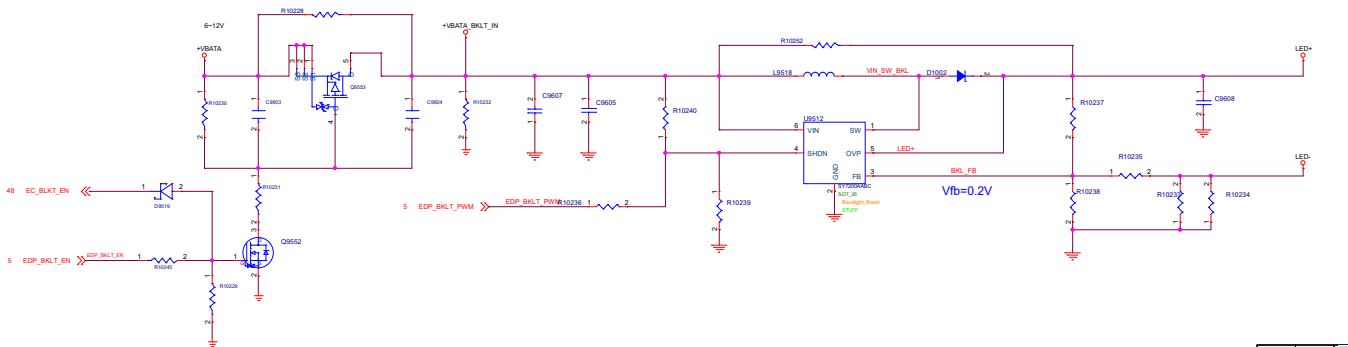
Eindoor Confidential



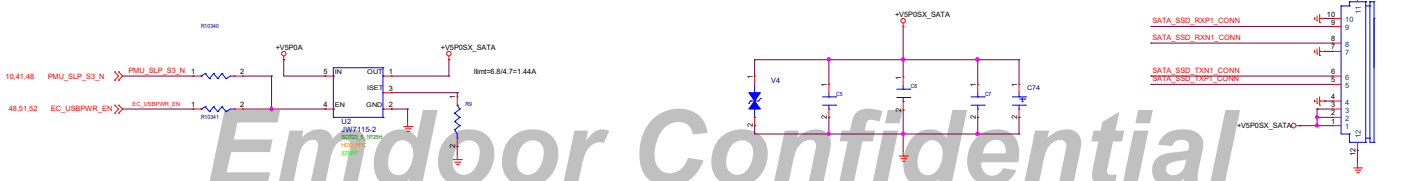
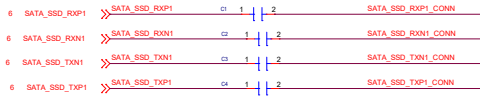
ECD No.		http://www.eindoor.com
Rev.		
Issue		
File	SCHEMATIC	
Sheet	1	of 1
Date		
Author		
Check		
Approved		



Backlight

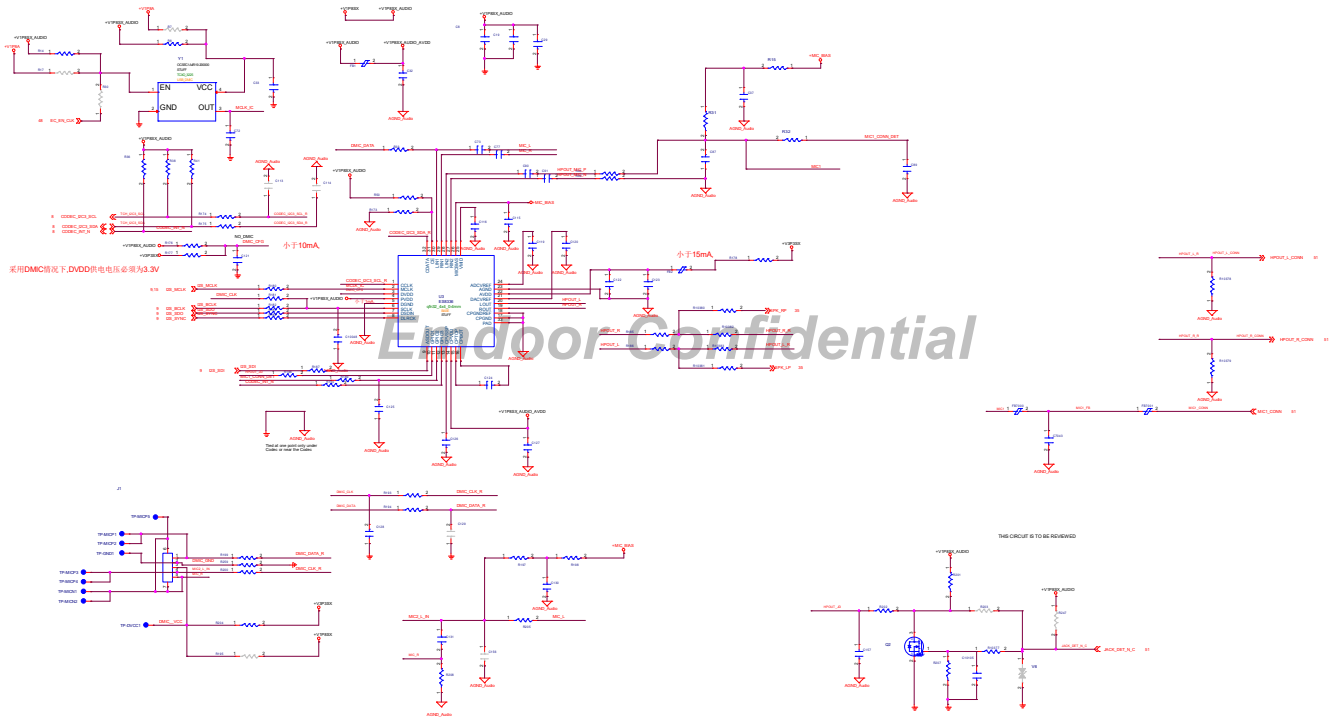


REV No.		File	http://www.emdoor.com	
PROJ No.		NAME		
DESIGN No.		TYPE	SCHEMATIC	Rev. No.
PROJ Manager		DATE		11/16
DESIGNER		DATE		11/16

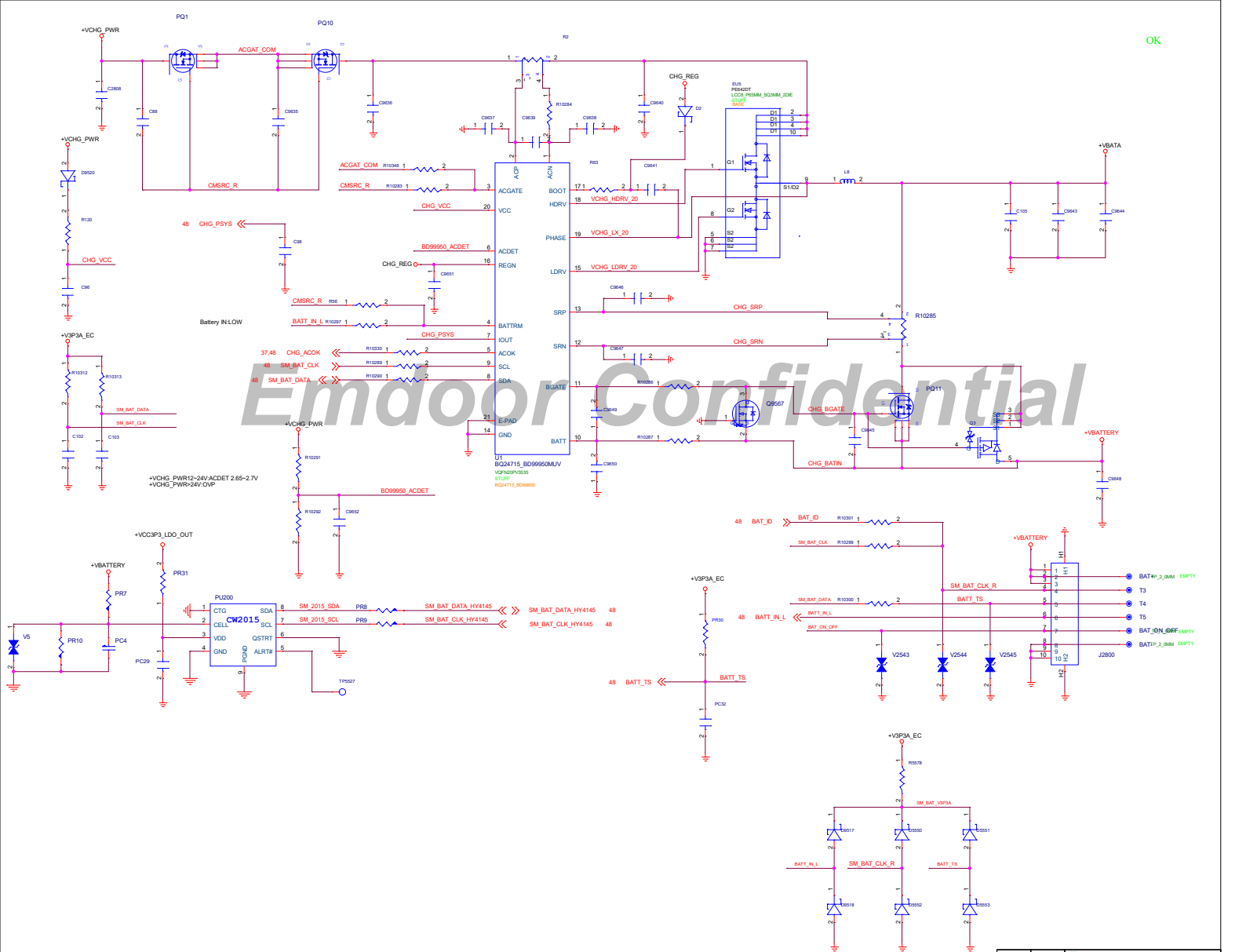


Emdoor Confidential

ECO No.		http://www.emdoor.com	
Designer			
Checked			
Approved			
no for reference	Site	SCHEMATIC	Drawing No.
File Name	ECO	ECO	ECO
File Path			
File Size			
File Date			
File Time			
File User			
File Group			
File Permission			
File Owner			
File Mode			
File Type			
File Extension			
File Content			
File Description			
File Keywords			
File Comments			
File Status			
File Version			
File History			
File Log			
File Audit			
File Backup			
File Restore			
File Delete			
File Move			
File Copy			
File Paste			
File Print			
File Save			
File Open			
File Close			
File Exit			
File Help			
File About			
File Settings			
File Preferences			
File Options			
File Tools			
File Utilities			
File Services			
File Applications			
File Programs			
File Scripts			
File Macros			
File Templates			
File Styles			
File Themes			
File Fonts			
File Colors			
File Sounds			
File Animations			
File Transitions			
File Effects			
File Behaviors			
File Interactions			
File Responses			
File Actions			
File Events			
File Triggers			
File Conditions			
File Rules			
File Policies			
File Procedures			
File Processes			
File Operations			
File Tasks			
File Jobs			
File Services			
File Applications			
File Programs			
File Scripts			
File Macros			
File Templates			
File Styles			
File Themes			
File Fonts			
File Colors			
File Sounds			
File Animations			
File Transitions			
File Effects			
File Behaviors			
File Interactions			
File Responses			
File Actions			
File Events			
File Triggers			
File Conditions			
File Rules			
File Policies			
File Procedures			
File Processes			
File Operations			
File Tasks			
File Jobs			
File Services			
File Applications			
File Programs			
File Scripts			
File Macros			
File Templates			
File Styles			
File Themes			
File Fonts			
File Colors			
File Sounds			
File Animations			
File Transitions			
File Effects			
File Behaviors			
File Interactions			
File Responses			
File Actions			
File Events			
File Triggers			
File Conditions			
File Rules			
File Policies			
File Procedures			
File Processes			
File Operations			
File Tasks			
File Jobs			
File Services			
File Applications			
File Programs			
File Scripts			
File Macros			
File Templates			
File Styles			
File Themes			
File Fonts			
File Colors			
File Sounds			
File Animations			
File Transitions			
File Effects			
File Behaviors			
File Interactions			
File Responses			
File Actions			
File Events			
File Triggers			
File Conditions			
File Rules			
File Policies			
File Procedures			
File Processes			
File Operations			
File Tasks			
File Jobs			
File Services			
File Applications			
File Programs			
File Scripts			
File Macros			
File Templates			
File Styles			
File Themes			
File Fonts			
File Colors			
File Sounds			
File Animations			
File Transitions			
File Effects			
File Behaviors			
File Interactions			
File Responses			
File Actions			
File Events			
File Triggers			
File Conditions			
File Rules			
File Policies			
File Procedures			
File Processes			
File Operations			
File Tasks			
File Jobs			
File Services			
File Applications			
File Programs			
File Scripts			
File Macros			
File Templates			
File Styles			
File Themes			
File Fonts			
File Colors			
File Sounds			
File Animations			
File Transitions			
File Effects			
File Behaviors			
File Interactions			
File Responses			
File Actions			
File Events			
File Triggers			
File Conditions			
File Rules			
File Policies			
File Procedures			
File Processes			
File Operations			
File Tasks			
File Jobs			
File Services			
File Applications			
File Programs			
File Scripts			
File Macros			
File Templates			
File Styles			
File Themes			
File Fonts			
File Colors			
File Sounds			
File Animations			
File Transitions			
File Effects			
File Behaviors			
File Interactions			
File Responses			
File Actions			
File Events			
File Triggers			
File Conditions			
File Rules			
File Policies			
File Procedures			
File Processes			
File Operations			
File Tasks			
File Jobs			
File Services			
File Applications			
File Programs			
File Scripts			
File Macros			
File Templates			
File Styles			
File Themes			
File Fonts			
File Colors			
File Sounds			
File Animations			
File Transitions			
File Effects			
File Behaviors			
File Interactions			
File Responses			
File Actions			
File Events			
File Triggers			
File Conditions			
File Rules			
File Policies			
File Procedures			
File Processes			
File Operations			
File Tasks			
File Jobs			
File Services			
File Applications			
File Programs			
File Scripts			
File Macros			
File Templates			
File Styles			
File Themes			
File Fonts			
File Colors			
File Sounds			
File Animations			
File Transitions			
File Effects			
File Behaviors			
File Interactions			
File Responses			
File Actions			
File Events			
File Triggers			
File Conditions			
File Rules			
File Policies			
File Procedures			
File Processes			
File Operations			
File Tasks			
File Jobs			
File Services			
File Applications			
File Programs			
File Scripts			
File Macros			
File Templates			
File Styles			
File Themes			
File Fonts			
File Colors			
File Sounds			
File Animations			
File Transitions			
File Effects			
File Behaviors			
File Interactions			
File Responses			
File Actions			
File Events			
File Triggers			
File Conditions			
File Rules			
File Policies			
File Procedures			
File Processes			
File Operations			
File Tasks			
File Jobs			
File Services			
File Applications			
File Programs			
File Scripts			
File Macros			
File Templates			
File Styles			
File Themes			
File Fonts			
File Colors			
File Sounds			
File Animations			
File Transitions			
File Effects			
File Behaviors			
File Interactions			
File Responses			
File Actions			
File Events			
File Triggers			
File Conditions			
File Rules			
File Policies			
File Procedures			
File Processes			
File Operations			
File Tasks			
File Jobs			
File Services			
File Applications			
File Programs			
File Scripts			
File Macros			
File Templates			
File Styles			
File Themes			
File Fonts			
File Colors			
File Sounds			
File Animations			
File Transitions			
File Effects			
File Behaviors			
File Interactions			
File Responses			
File Actions			
File Events			
File Triggers			
File Conditions			
File Rules			
File Policies			
File Procedures			
File Processes			
File Operations			
File Tasks			
File Jobs			
File Services			

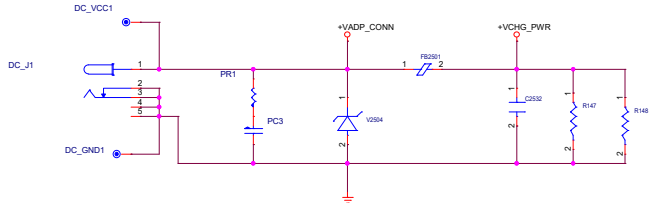


Rev	1	Empdoor
Date	2023-08-15	Empdoor
Author	Empdoor	Empdoor
Check	Empdoor	Empdoor
Appr	Empdoor	Empdoor
Rev	1	Empdoor



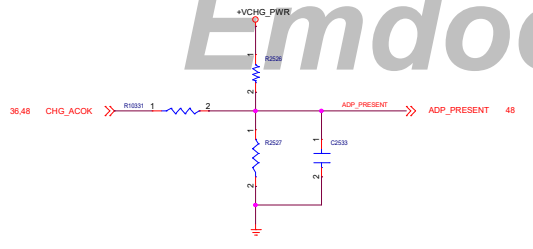
Emdoor Confidential

ECO No.		http://www.emdoor.com	
Designer			
Approved			
DO NOT REPRODUCE	FILED	SCHEMATIC	Drawing No. Rev. 1/1.0
FOR INTERNAL USE ONLY	DATE	Thursday, November 21, 2019	Sheet 36 of 55

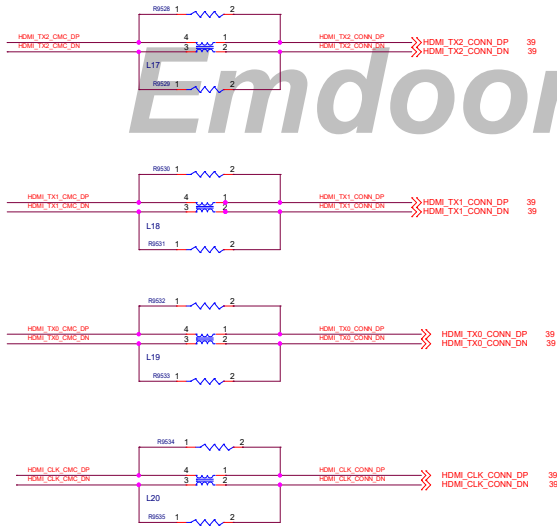
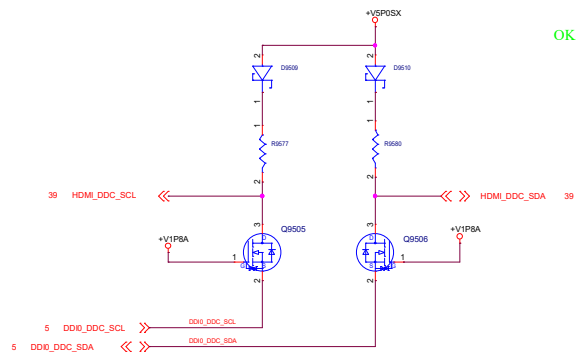
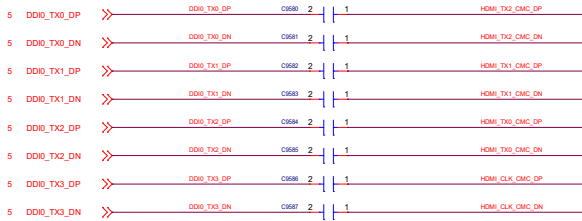


NOTE:
DA21R022Y16ZL2 Imbedded 1.2mm;
DA31R02CA22L2 Imbedded 1.0mm.

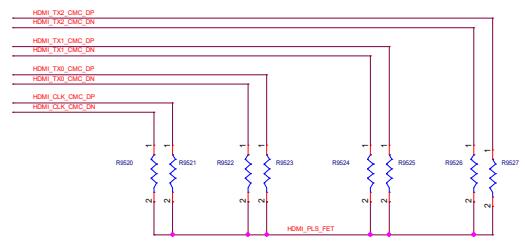
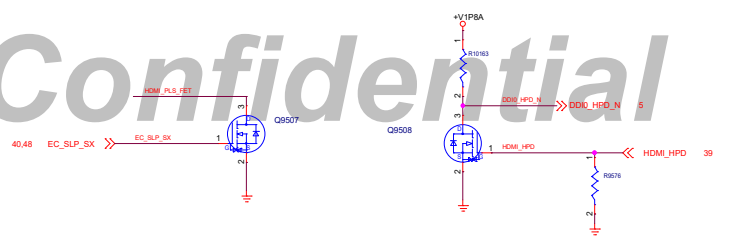
Emdoor Confidential



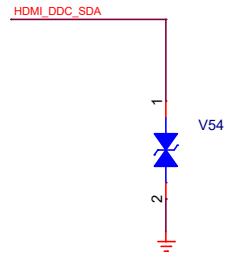
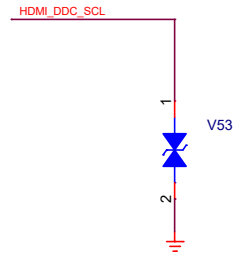
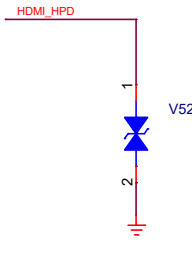
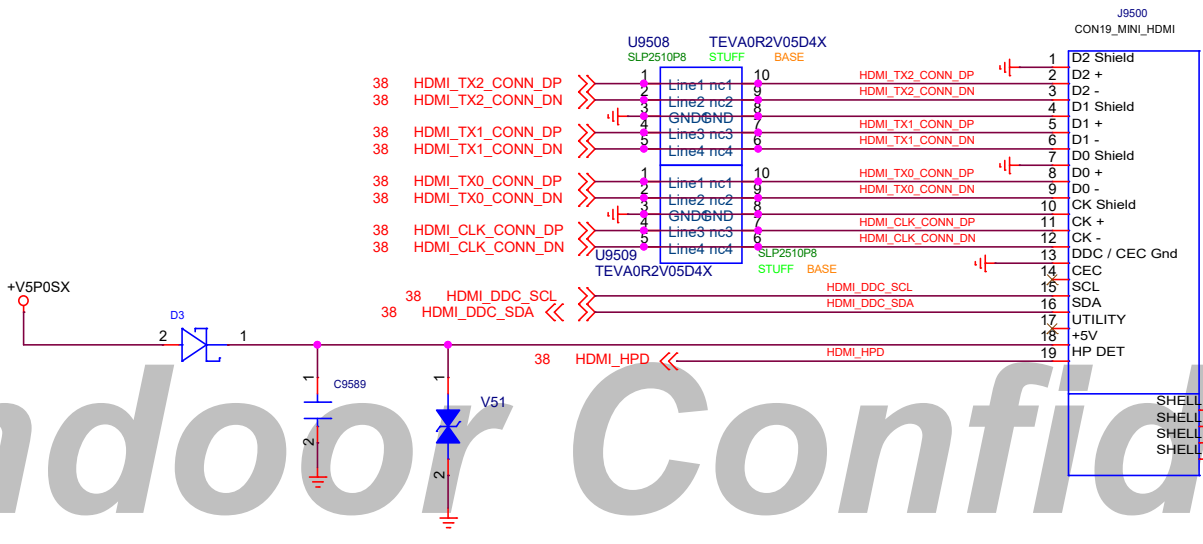
ECO No.		Emdoor 仁道电子	http: www.emdoor.com
Designer			
Reviewer			
Approved			
DO NOT REPRODUCE FOR INTERNAL USE ONLY	FILE: SCHEMATIC	Drawing No.	REV: V1.0
	Date: Wednesday, November 24, 2010	Sheet 3/	of 55



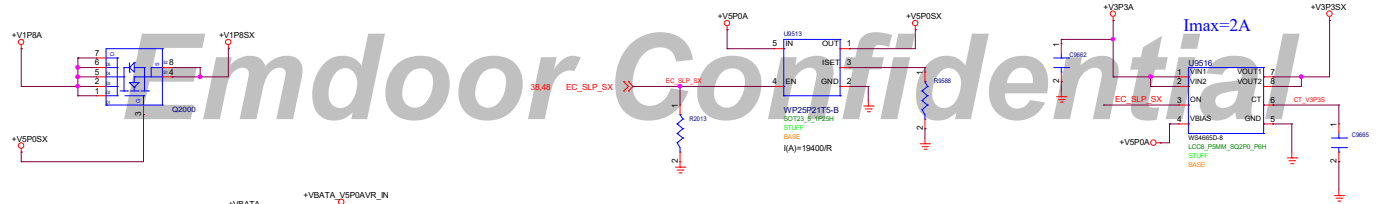
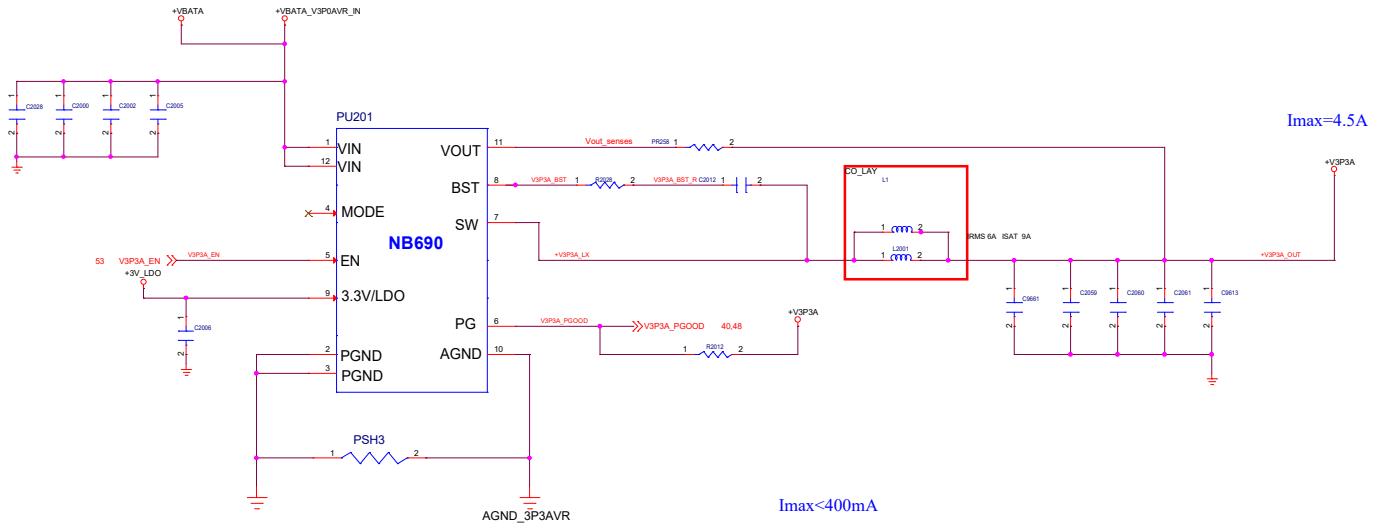
Emdoor Confidential



ECO No.		Emdoor 威门电子		http://www.emdoor.com	
Design					
Reviewed					
Approved					
DO NOT REPRODUC	Site	SCHMATIC	Drawing No.	Rev.	
See comments on any	Date:	Wednesday, December 21, 2017	Sheet	38	of 53

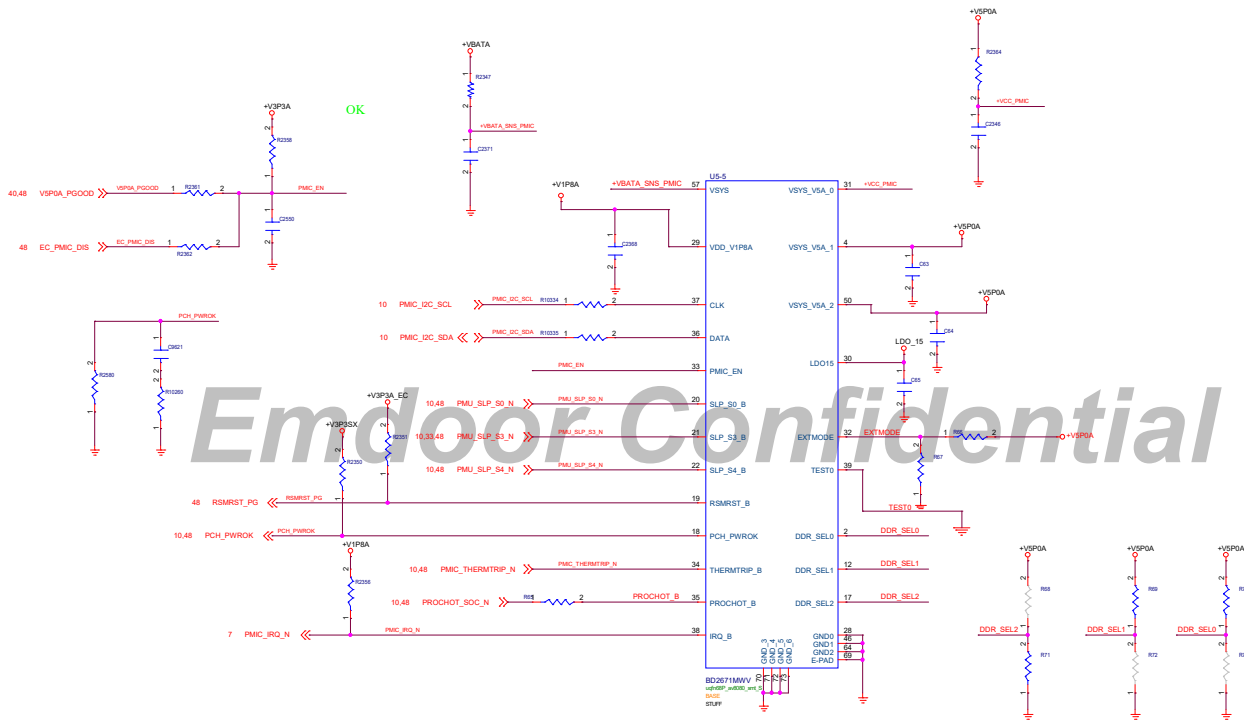


ECO No.		 Http: www.emdoor.com	
Designer		Title:	
Reviewed		DO NOT REPRODUCE	Size A SCHEMATIC
Approved		FOR INTERNAL USE ONLY	Date: Wednesday, November 24, 2010
		Drawing No.	Rev. V1.0
		Sheet 39 of 55	

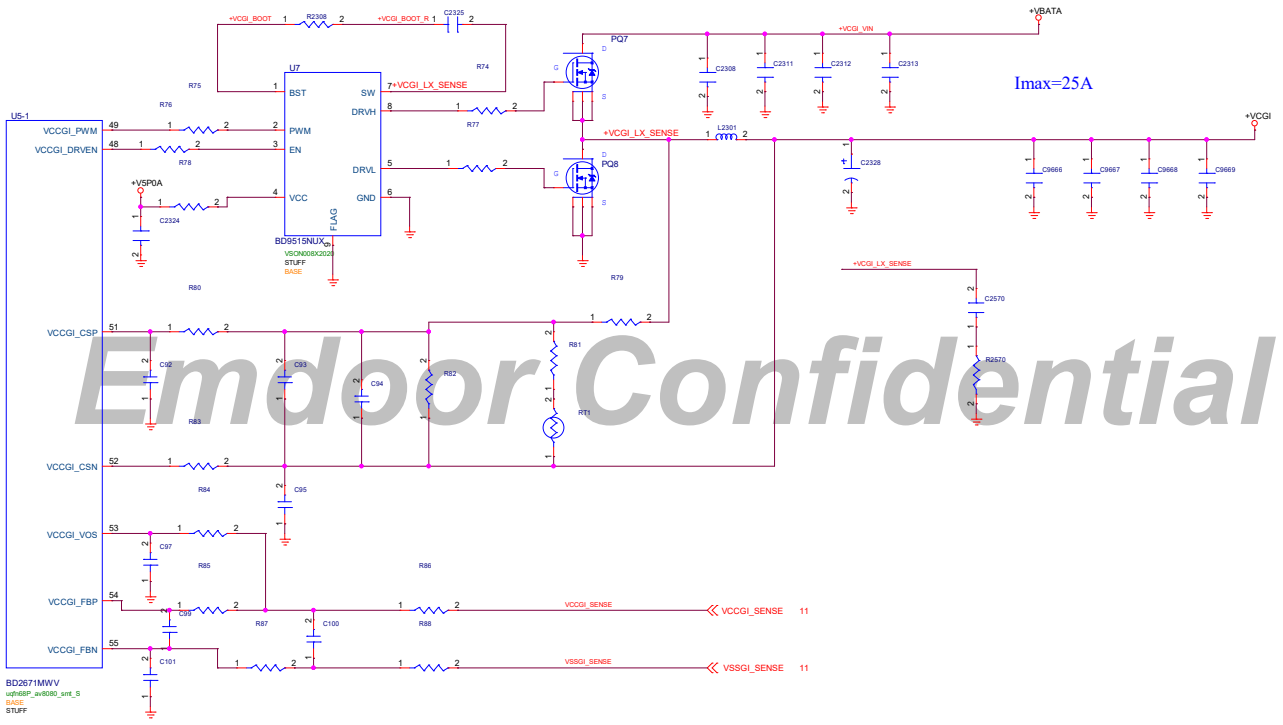


Emdoor Confidential

ECO No.		EMDOOR 代通电子		Website: www.emdoor.com
Designer		TITLE:		
Reviewed		Customer		
Approved		DO NOT REPRODUCE FOR INTERNAL USE ONLY	DATE: Wednesday, November 21, 2018	Drawing No. 40 of 55
				Rev. V1.0

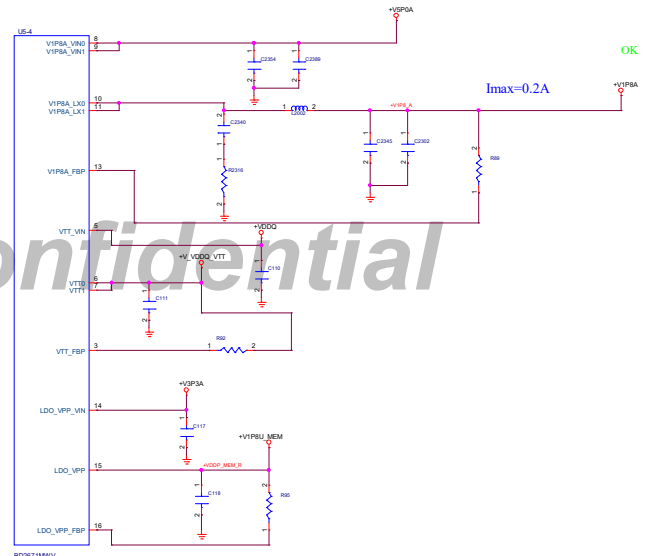
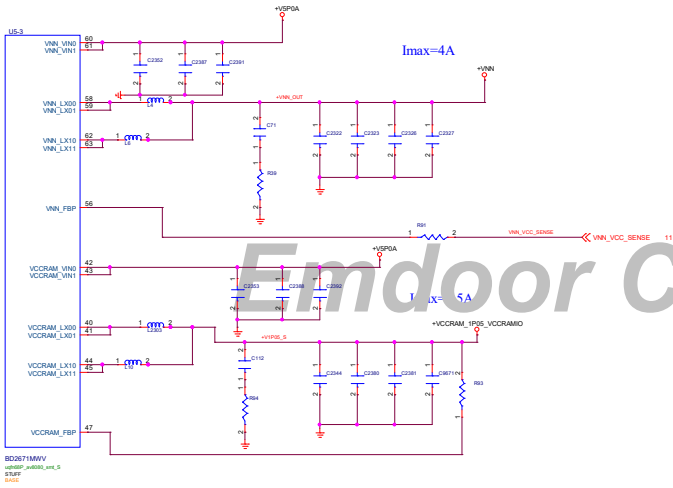


Doc No.		Emdoor 亿道电子	Site: www.emdoor.com
Designer			
Checked			
Approved			
DO NOT REPRODUC	Client	SCHÉMATIC	Drawing No.
FOR INTERNAL USE ONLY	EMDOR Technology, Inc.	2023-11-21	Rev. V1.0



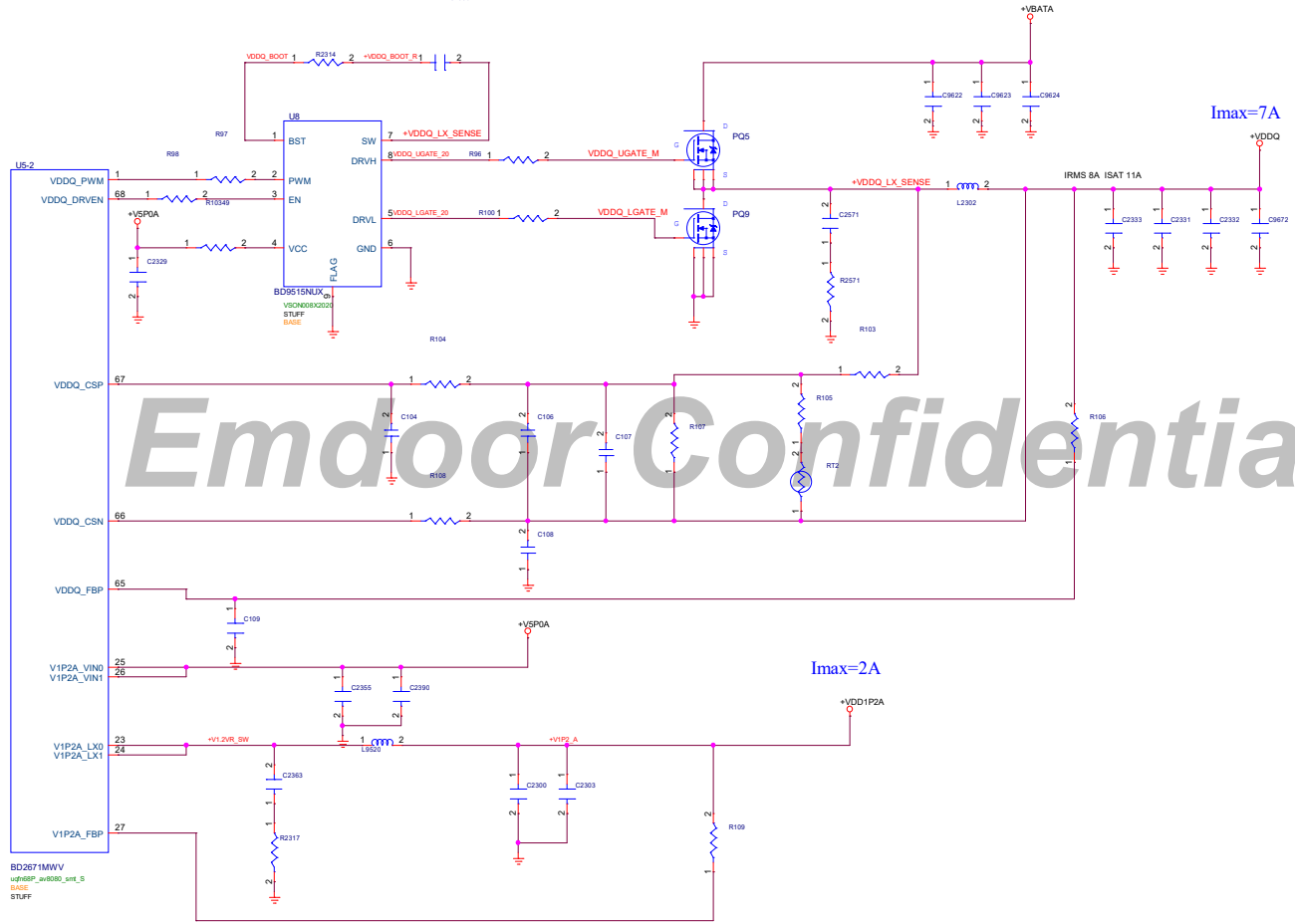
Emdoor Confidential

ECO No.		Emdoor 亿维电子	http://www.emdoor.com
Designer			
Checked			
Approved			
DO NOT REPRODUCE FOR INTERNAL USE ONLY	State	SCHEMATIC	Drawing No. V1.0
	Checked		Rev. 1
	Date	Wednesday, November 24, 2010	Sheet 42 of 55



Emdoor Confidential


Doc No.		Emdoor	#http://www.emdoor.com
Doc Name			
Doc Type			
Doc Date			
Doc Version	1.0	SCHEMATIC	Rev. 1.0
Doc Author			
Doc Checker			
Doc Approver			
Doc Release			



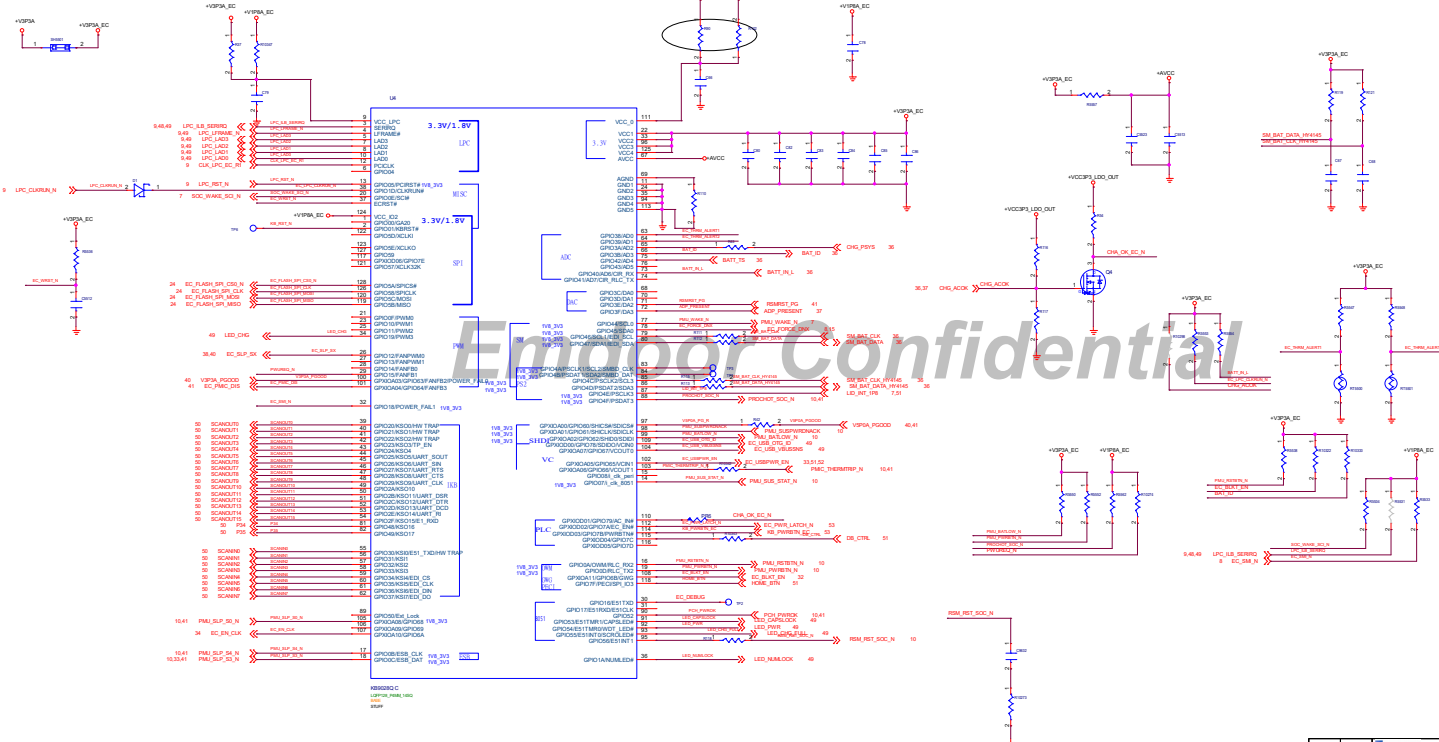
Emdoor Confidential

ECO No.		Emdoor 亿通电子		http://www.emdoor.com	
Designer					
Designed					
Approved					
IDO NOT REPRODUCE FOR INTERNAL USE ONLY	File	Customer	SCHEMATIC	Drawing No.	Rev.
	Date: Wednesday, November 21, 2018			Sheet 44	of 55

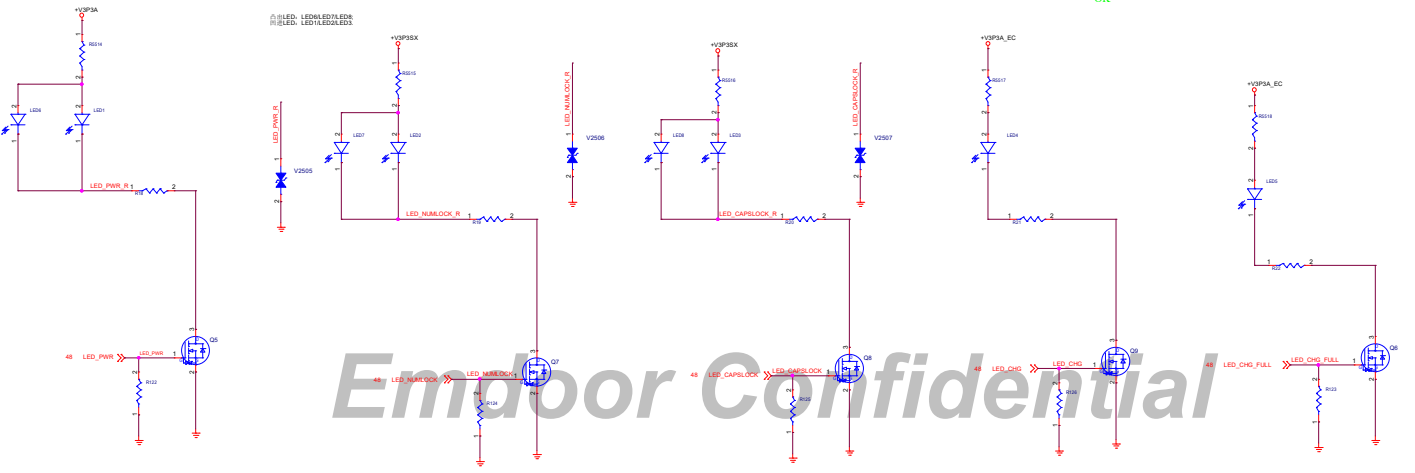
BOM No.		 #Eg: www.em6000.com
Designer:		
Designer:		
Approved:		
DO NOT REPRODUCE FOR SYSTEMS USE ONLY	Sheet 1 of 1	Rev: V1.0
	DATE: 2024.03.20	Sheet 49 of 55

ECO No.		 http://www.eindoor.com	
Designer			
Approved			
DO NOT REPRODUCE	SCHEM B	Title SCHEMATIC	Drawing No. Rev. V1.0
DESIGNER'S USE ONLY	Date: Wednesday, October 13, 2010	Sheet: 46	of 55

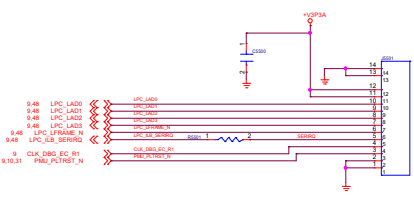
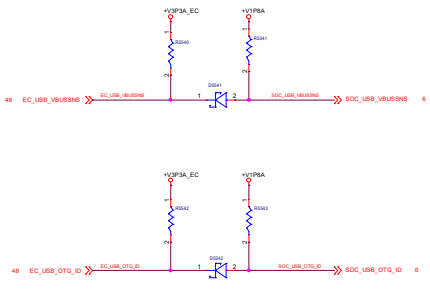
ECO No.		 化境电子	Http: www.4mat.com
Designer			
Drawn			
Approved		TIME:	
DO NOT REPRODUCE	REVISION	Drawing No.	REV
FOR INTERNAL USE ONLY	CUSTOMER		V1.0
	DATE: Wednesday, October 13, 2010	Sheet: 47	of 55



Rev No.	1	Emuleer	www.emuleer.com
Rev Date	2014-08-20		
Rev Desc	Initial Release		
Rev Appr	Approved		
Rev Rev	0		

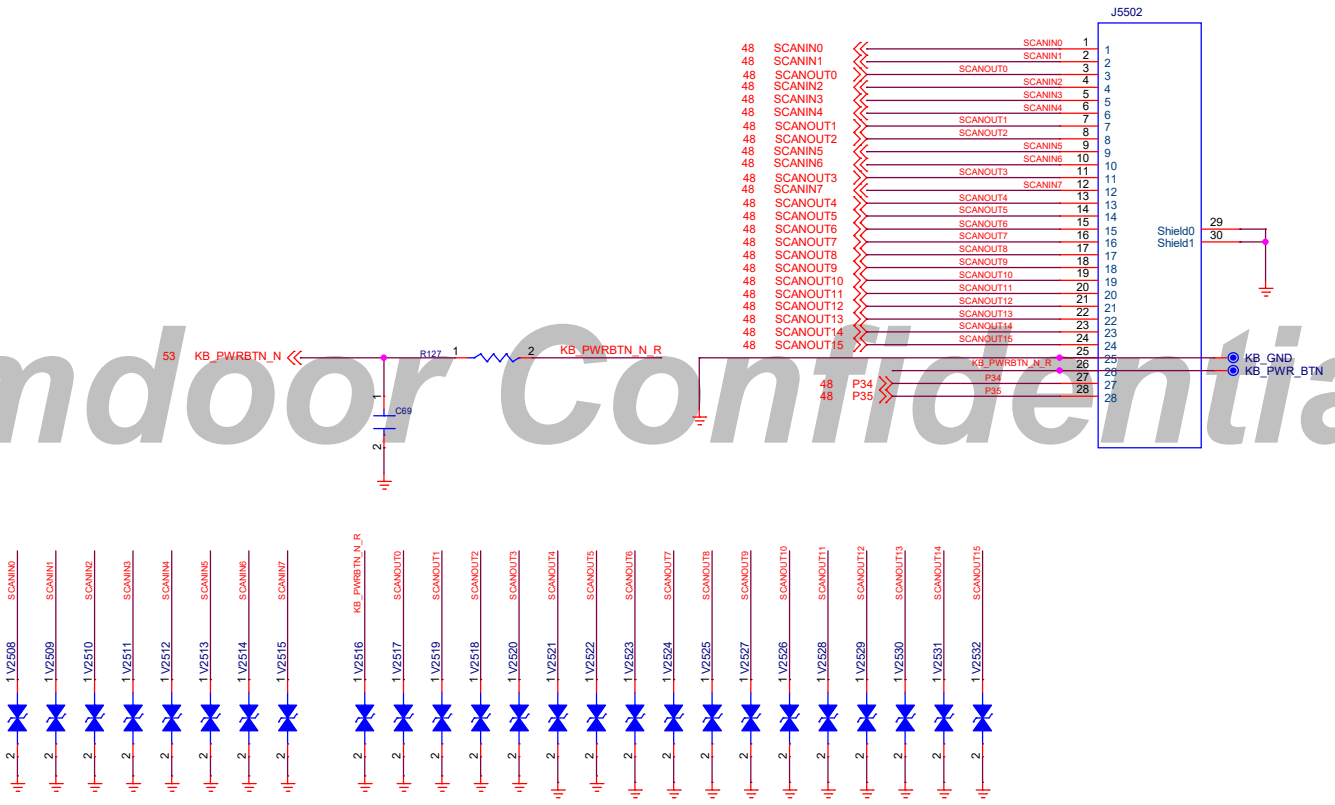


Emdoor Confidential

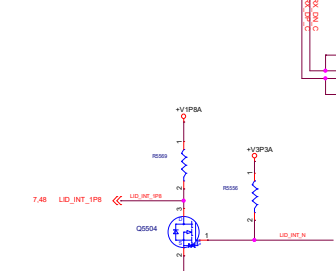
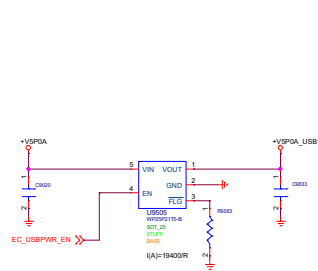
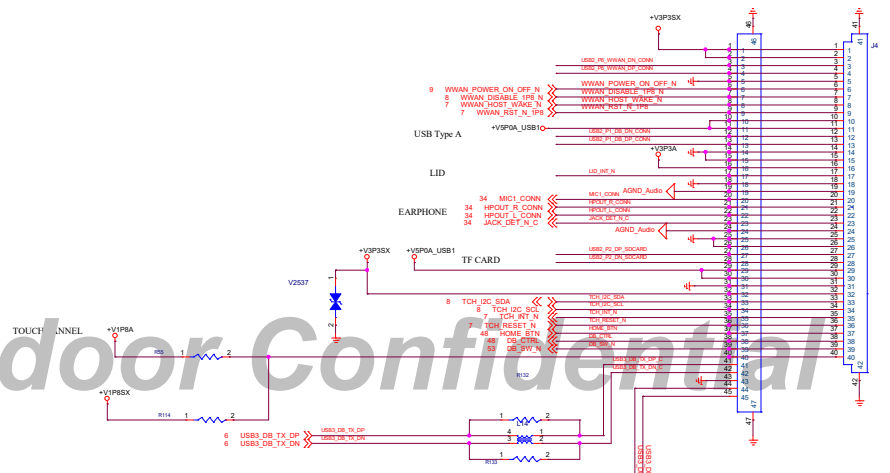
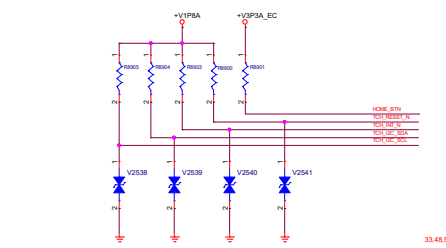
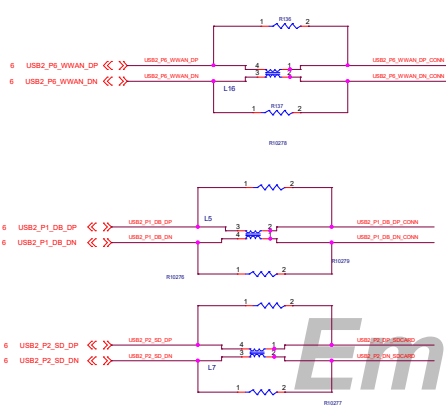


Rev	1	Date	2014-08-15
Author	Wang, J	Drawn	Wang, J
Checked		Approved	
Project	EMDOOR	Sheet No.	10
Part No.	EMDOOR	Sheet Count	10
Rev	1	Date	2014-08-15
Author	Wang, J	Drawn	Wang, J
Checked		Approved	
Project	EMDOOR	Sheet No.	10
Part No.	EMDOOR	Sheet Count	10

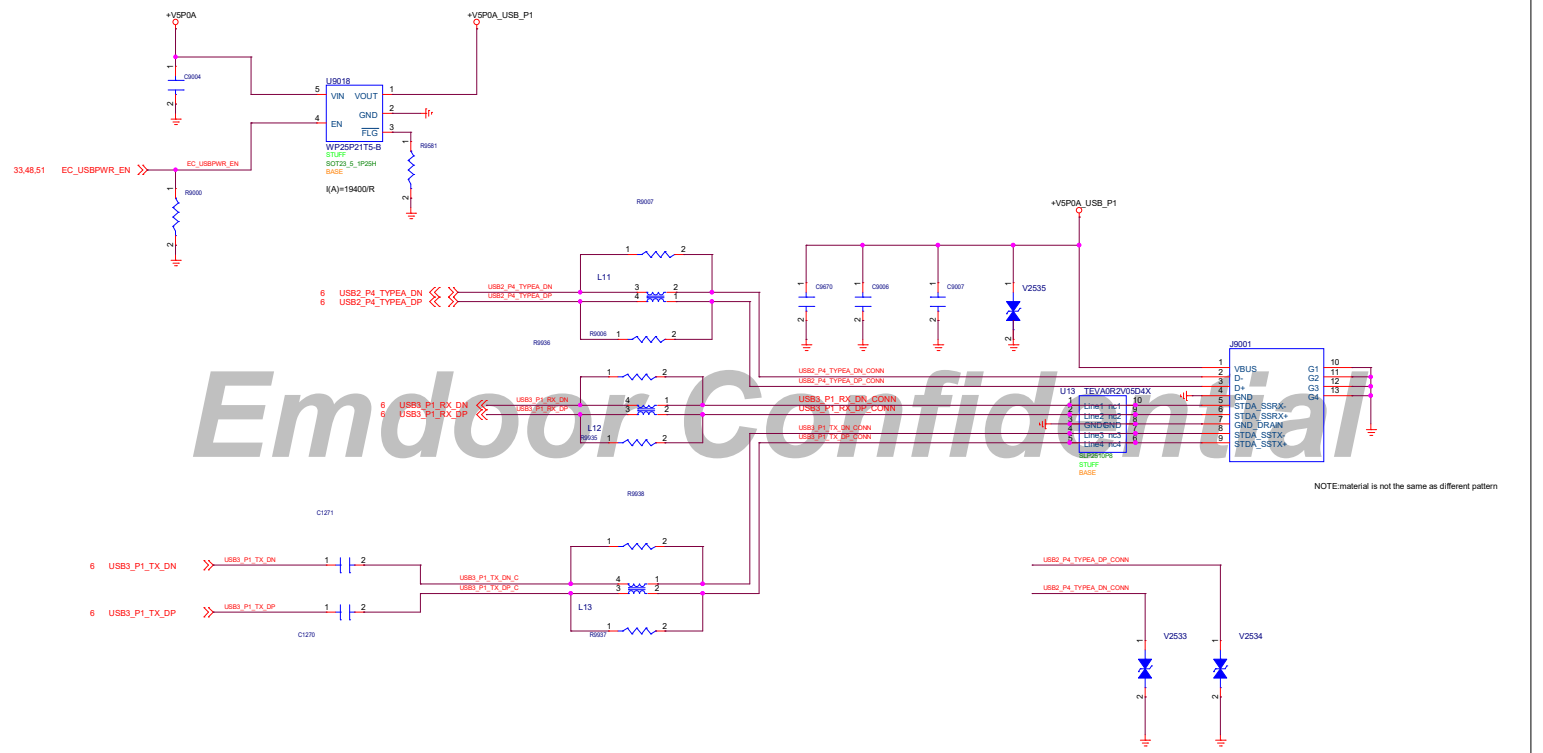
Emdoor Confidential



ECO No.		Emdoor 代通电子 Http: www.emdoor.com	
Designer			
Reviewed			
Approved		Title: SCHEMATIC	
DO NOT REPRODUCE FOR INTERNAL USE ONLY	Size: Custom	Drawing No.	Rev. V1.0
	Date: Wednesday, November 24, 2010	Sheet 50	of 55



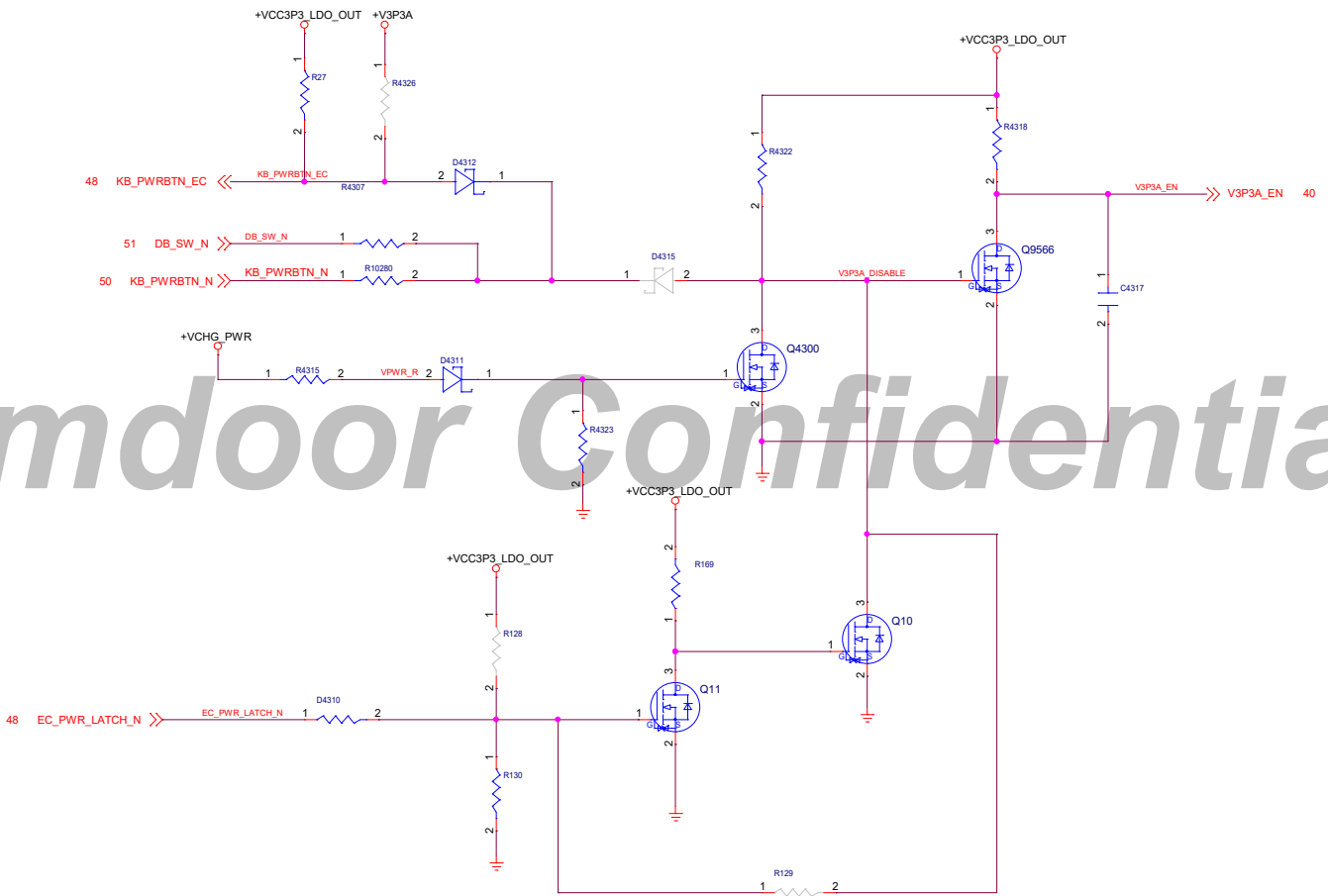
ECO No.		File	www.amd.com
Rev		File	
Approved		File	
EC No.	1000000000	File	SCHEMATIC
Rev	1.0	File	Rev
EC No.	1000000000	File	Rev




NOTE: material is not the same as different pattern

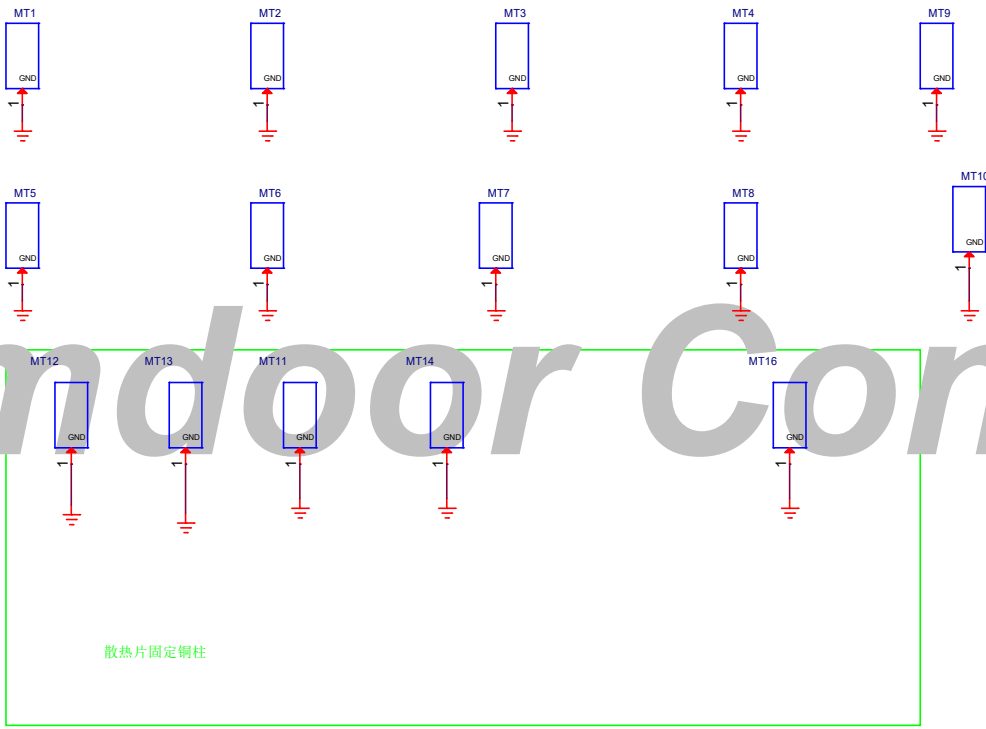
ECO No.		Emdoor 亿道电子		http://www.emdoor.com
Design				
Reviewed				
Approved				
DO NOT REPRODUCE FOR INTERNAL USE ONLY	EMDOOR Custom	SCHEMATIC	Drawing No.	Rev. V1.0
		Date: Wednesday, November 24, 2016		Sheet: 02 of 05

OK

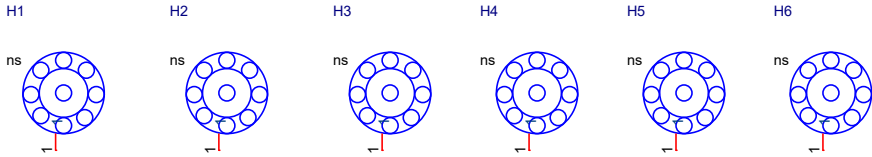



Emdoor Confidential

ECO No.		 http://www.emdoor.com	
Designer			
Reviewed			
Approved		TRIE:	
DO NOT REPRODUCE	Size: SCHEMATIC	Drawing No.	Rev. V1.0
FOR INTERNAL USE ONLY	Date: Wednesday, November 24, 2010	Sheet: 53	of 55



Mark Point



ECO No.		 Http: www.emdoor.com	
Designer			
Reviewed			
Approved		Title:	
DO NOT REPRODUCE	Size A	SCHEMATIC	Drawing No.
FOR INTERNAL USE ONLY	Date: Wednesday, November 24, 2023	Sheet 54	of 55
			Rev. V1.0

ECO No.		 http://www.emdoor.com
Designer		
Reviewer		
Approved		
		Title
DO NOT REPRODUCE	Size	Drawing No.
FOR CIRCULATION USE ONLY	Scale	Rev.
	Date	Sheet
	7/2012	55 of 58