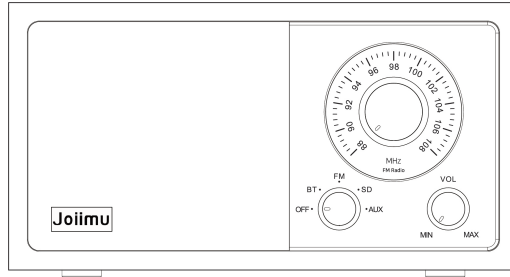


使用说明书

感谢您选择我们的复古收音机蓝牙音箱。
本机已采用智能化设计,操作非常简单!在开始操作本机前,请阅读本说明书。

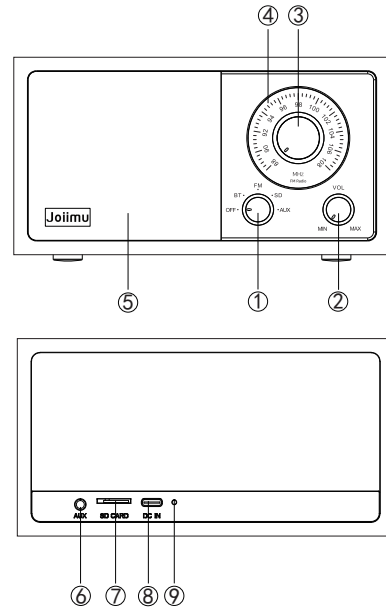


包装内容

- JM 1 音箱*1
- 充电线*1
- 音频线*1
- 使用说明书*1

外观示意图

- | | | |
|---------|--------------|---------|
| 1、功能旋钮 | 2、音量旋钮 | 3、调频旋钮 |
| 4、频率刻度表 | 5、扬声器 | 6、音频输入 |
| 7、SD卡槽 | 8、Type C 充电口 | 9、充电指示灯 |



操作方法

蓝牙 (BT)

- 1、将功能旋钮转动至“BT”位置,背景灯蓝灯开始闪烁。
- 2、打开蓝牙设备的配对列表,选择“JM 1”配对连接。

收音机 (FM)

- 1、将功能旋钮转动至“FM”位置,背景灯白灯常亮。
- 2、转动调频钮,搜索电台。

注:本机在充电状态下,充电器可能干扰某些收音频道。

内存卡 (SD卡)

- 1、将功能旋钮转动至“SD”位置。
- 2、将SD卡插入机器后面的“SD CARD”口,本机将播放SD卡内音乐。

注:本机仅支持文件格式FAT32,音乐格式MP3、WAV、WMA、FLAC、APE。

音频输入 (AUX)

- 1、将功能旋钮转动至“AUX”位置。
- 2、将手机,平板,电脑,MP3等音源设备通过音频线连接至本机AUX口,即可播放。

关机

请将功能旋钮转到关机 (OFF)。

充电

- 1、音箱电量不足时,会发出“咚咚”低电提示音,此时需为音箱充电。
- 2、充电时红色指示灯常亮,充满电后指示灯熄灭。
- 3、音箱长期不使用时,建议每三个月充电一次,延长电池使用寿命。

产品规格

产品名称	复古收音机蓝牙音箱
型号	JM 1
材料	ABS、胡桃木原木、铁
重量	680G(不包含线材)
尺寸	170*90*90MM (W*H*D)
蓝牙版本	5.1
蓝牙协议	A2DP, AVRCP
功率	10W
总谐波失真	<1%
频响范围	60Hz-16KHz
收音机频率	87.5-108MHz
电池容量	聚合物锂电池2200Mah
充电输入	5V 1A
充电时间	3-4H
播放时间	10H
操作温度	-10C°~50C°

有毒有害物质或元素附表

部件名称	有毒有害物质或元素					
	铅 (Pb)	汞 (Hg)	镉 (Cd)	六价铬 (Cr(VI))	多溴联苯 (PBB)	多溴二苯醚 (PBDE)
主机	X	○	○	○	○	○
配件	X	○	○	○	○	○

本表格依据SJ/T11364的规定编制

○:表示该有毒有害物质在该部件所有均值材料中的含量均在GB/T26572标准规定的限量要求以下。

X:表示该有毒物质至少在该部件的某一均值材料中的含量超出GB/T26572标准规定的限量要求。

注:本产品标有“X”的原因是现阶段没有可供选择的替代技术或部件。

温馨提示

- 1.为了延长电池寿命,建议你每月至少让音箱充电一次。
- 2.请使用符合标准和本产品输入规格的充电器为音箱充电,使用其他劣质充电器可能导致危险。

生产企业:深圳市爱昊科技有限公司

地址:深圳市宝安区航城街道三围华丰第一科技园A区D栋四楼

执行标准:GB 4943.1-2022

网址:www.ihold.cc

服务热线:400-1391191

保修卡

保修说明(保修范围仅限主机,不包含配件及赠品)

- 1.从产品购买日起12个月内,如产品在正常使用情况下出现损坏或故障,经本公司技术人员证实后将对该产品提供免费维修或更换服务。

以下情况恕不免费维修:

- 无保修卡或产品维修标签已破坏的。
 - 自行拆卸造成破坏的。
 - 因进水或跌落破坏而造成故障及人为机械损坏的。
 - 因不可抗力意外事件或自然灾害导致产品故障或损坏的。
- 2.维修时必须提供有效的销售凭证,如果用户不能提供,免费保修失效。如需提供维修服务,用户可能需要支付相关维修费用。
 - 3.如因不规范使用本公司产品而导致手机或其它电子产品有任何损坏,本公司不会承担责任。

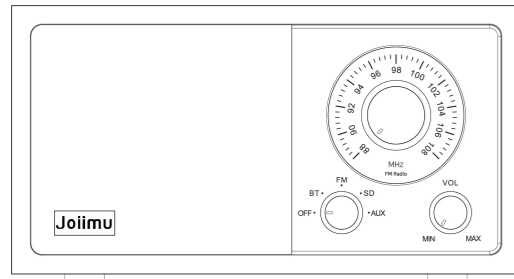
保修卡填写内容:

产品型号		联系电话	
购买日期		盖章处	
客户姓名		经销商	
客户地址		经销电话	



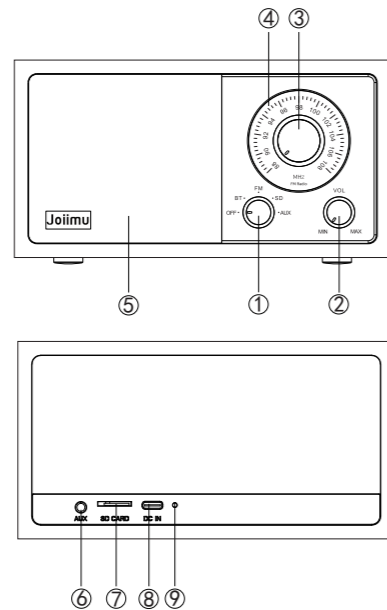
User manual

Thank you for purchasing the Retro FM Radio Bluetooth Speaker .
This speaker has been intelligently designed for very simple operation! However,
please read this manual carefully before starting to operate the speaker.



Packing Accessories

- JM 1 speaker*1
- Type-C charging cable*1
- AUX cable*1
- User Manual*1



Appearance outline

- | | | |
|-------------------|-------------------------|-----------------------|
| 1. Function knob | 2. Volume knob | 3. FM knob |
| 4. Frequency dial | 5. Speaker driver | 6. Audio input |
| 7. SD card slot | 8. Type C charging port | 9. Charging indicator |

Operation

Bluetooth (BT)

1. Turn the function knob to the "Bluetooth" mode, the background light in blue starts to flash.
2. Open the Bluetooth list of your device and select "JM 1" to connect and pair.

FM radio (FM)

1. Turn the function knob to the " FM " mode, the background light in white is static on.
2. Turn the FM knob manually to search for the FM stations.

Note: Some radio stations maybe interfered by the charger while charging the speaker.

SD memory card (SD)

1. Turn the function knob to the " SD " mode.
2. Insert the SD card into the "SD CARD" port on the back of the speaker, the music will be played.

Note: The speaker only supports file format FAT32, music format MP3, WAV, WMA, FLAC, APE.

Audio input (AUX)

1. Turn the function knob to the " AUX " mode.
2. Use the audio cable to connect mobile phones, tablets, computers, MP3 and other audio source devices to the AUX port of the speaker, the music will be played.

Turn OFF

Turn the function knob to OFF mode.

Charging

1. when the speaker power is insufficient, it will emit a "dong dong" low-battery prompt sound .at this time need to charge the speaker.
2. The red indicator light is always on when charging, the indicator light is off when fully charged.
3. To extend the battery life, if the speaker is not used for a long time, it is recommended to charge every three months.

Specification

Product	Retro FM Radio Bluetooth Speaker
Model	JM 1
Material	ABS, Walnut log , iron
Weight	680g(Excluding cable)
Size	170*90*90MM (W*H*D)
Bluetooth version	5.1
Bluetooth protocol	A2DP, AVRCP
Power	10W
Distortion	<1%
Frequency Response	60Hz-16KHz
FM frequency	87.5-108MHz
Battery capacity	2200Mah
Rated input	5V 1A
Charging time	3-4H
Working time	10H
Operating Temp	-10C°~50C°
Manufacturer	shenzhen ihold technology co.ltd www.ihold.cc Made in China

Designated Agent Information:

Company Name: FCC US Agent, LLC
FRN: 0033402884
Address: 3722 Illinois Avenue, Saint Charles, IL, 60174, USA
Contact Person: Tim Payne
Phone: 708-571-3148
Email: Support@FCCUSAgent.com

FCC Statement

NOTE: This equipment has been tested and found to comply with the limits for a Class B digital device, pursuant to part 15 of the FCC Rules. These limits are designed to provide reasonable protection against harmful interference in a residential installation. This equipment generates, uses and can radiate radio frequency energy and, if not installed and used in accordance with the instructions, may cause harmful interference to radio communications. However, there is no guarantee that interference will not occur in a particular installation. If this equipment does cause harmful interference to radio or television reception, which can be determined by turning the equipment off and on, the user is encouraged to try to correct the interference by one or more of the following measures:

- Reorient or relocate the receiving antenna.
- Increase the separation between the equipment and receiver.
- Connect the equipment into an outlet on a circuit different from that to which the receiver is connected.
- Consult the dealer or an experienced radio/TV technician for help.

Changes or modifications not expressly approved by the party responsible for compliance could void the user's authority to operate the equipment. This device complies with Part 15 of the FCC Rules. Operation is subject to the following two conditions:
(1) this device may not cause harmful interference, and (2) this device must accept any interference received, including interference that may cause undesired operation.

RF Exposure Warning Statements:

This equipment complies with FCC radiation exposure limits set forth for an uncontrolled environment. This equipment shall be installed and operated with minimum distance 20cm between the radiator & body.

ISED Statement

This device contains licence-exempt transmitter(s)/receiver(s) that comply with Innovation, Science and Economic Development Canada's licence-exempt RSS(s).
Operation is subject to the following two conditions:
(1) This device may not cause interference.
(2) This device must accept any interference, including interference that may cause undesired operation of the device.

L'émetteur/récepteur exempt de licence contenu dans le présent appareil est conforme aux CNR d'Innovation, Sciences et Développement économique Canada applicables aux appareils radio exempts de licence.
L'exploitation est autorisée aux deux conditions suivantes :
(1) L' appareil ne doit pas produire de brouillage.
(2) L' appareil doit accepter tout brouillage radioélectrique subi, même si le brouillage est susceptible d' en compromettre le fonctionnement.

Radio Frequency Exposure Statement for IC

This equipment complies with IC exposure limits set forth for an uncontrolled environment. This equipment shall be installed and operated with minimum distance 20cm between the radiator & body.

Cet équipement est conforme aux limites d'exposition IC définies pour un environnement non contrôlé. Cet équipement doit être installé et utilisé avec une distance minimale de 20cm entre le radiateur et la carrosserie.