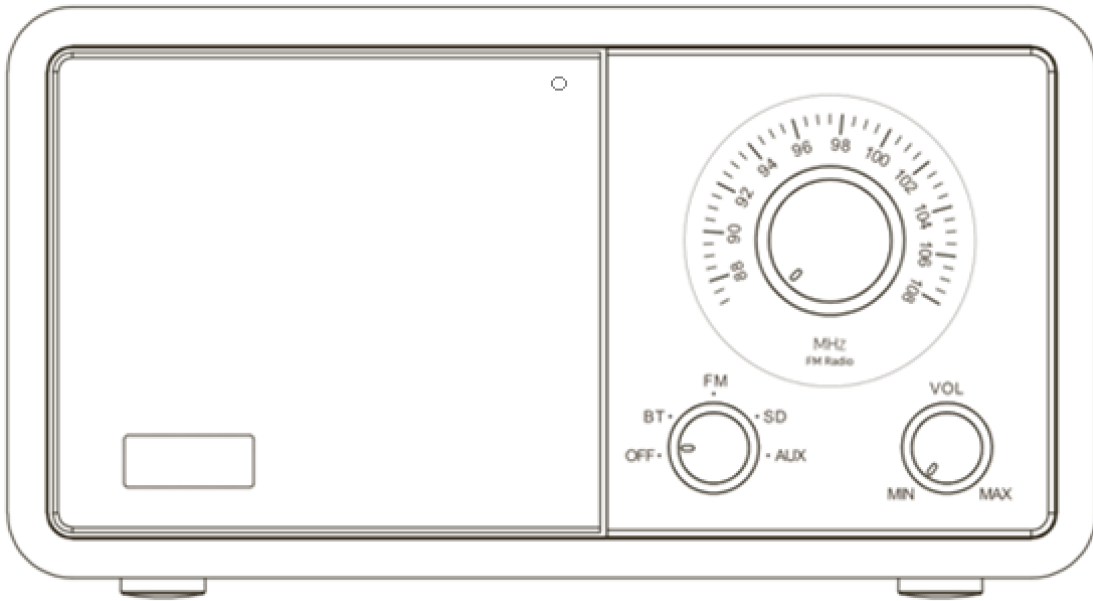


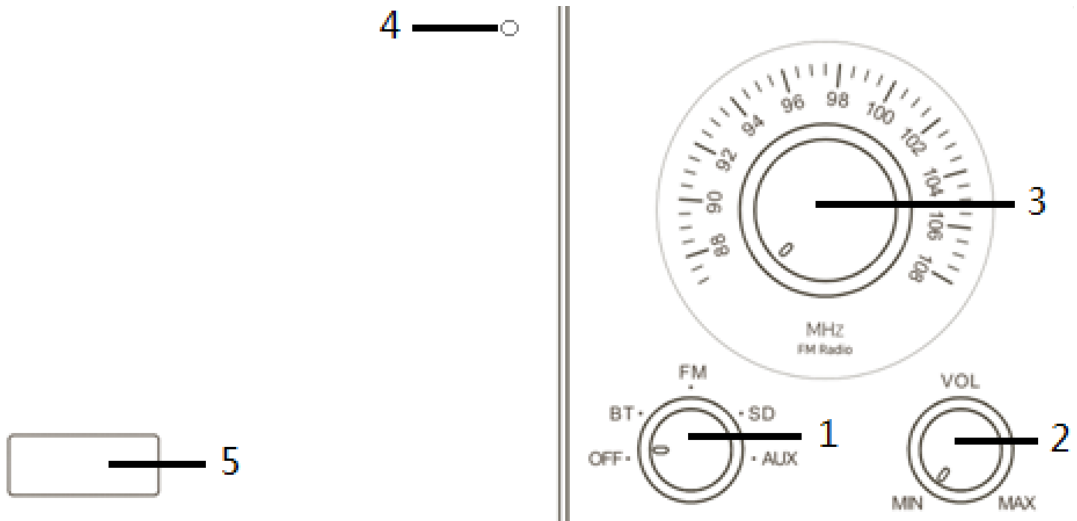
User Manual

Welcome

Thank you for purchasing the new Retro Wireless Speaker B41W. Please read this manual carefully before operating your product and pay close attention to the precautions, which are mentioned below.



Function description:



1, MODE Knob: Turn it to OFF-BT-FM-SD-AUX mode.

2, Volume Knob: Turn left, decrease the volume, turn right, increase the volume.

3, FM Knob: Turn it to the signal channel.

- 4, Wireless charging indicator: Orange LED light
- 5, Logo position

POWER ON/OFF

- 1. Turn the Mode knob to any mode, the speaker is ON.
- 2. Turn the Mode knob to OFF mode, the speaker is OFF

Bluetooth Pairing and Connecting / Disconnecting

- 1、 Turn the MODE knob to BT mode to power on the Bluetooth speaker. The speaker will indicate "Bluetooth".
- 2、 Search for "**Pairing name**" on the pairing device as mobile phone and then connect.
- 3、 Enter password "0000" if required
- 4、 Turn the "Volume Knob" to adjust suitable volume.

FM Radio and Manual Preset

- a. Turn the MODE knob to FM mode, , the speaker will indicate "FM radio", insert an antenna (included).
- b. Slowly turn the FM knob to search for your favorite channel. When the signal is very good, the LED light will show green light.
Note: The green light is under the FM knob and has a green background when the signal is good.
- c. Turn right or turn left the "Volume Knob" to adjust suitable volume.

Music playback from Micro SD /TF card

- a. Turn the MODE knob to SD mode, the speaker will indicate "SD Card".
- b. Insert a Micro SD card.
- c. Turn right or turn left the "Volume Knob" to adjust suitable volume.

Aux in Connection

- 5、 Turn the MODE knob to AUX mode, the speaker will indicate "Auxiliary".
 - a.
 - b. connect the AUX cable into the aux-in port of the speaker and connect the other end into the audio-out port of your external music device.
 - c. Turn right or turn left the "Volume Knob" to adjust suitable volume.

Wireless Charging

- a. Before wireless charging, make sure the used phone support wireless charging.
- b. Plug in the Type C fast charging cable to use the PD/QCC power for charging.*
- c. Input : DC 5V 2A , 9V 2A Out put :5W, 7.5W, 10W
- d. Put the phone on the speaker top section of "WIRELESS CHARGING" to charge, the orange LED light will turn on.

Charging the Speaker

- a. Please fully charge the battery before using the device for the first time.
- b. Connect the 5V 2A USB cable to the unit and the other end to AC adapter or PC in order to commence charging. The Red LED will turn on indicating that the unit is now charging. Once the light goes off, this means that the units completely charged and ready to use.

Product Specifications

Battery: 3.7V/2200mAh lithium battery
Play time: 8-10Hours (depending on 50% volume)
Charging time: About4H30minutes
Product Size: 160*90*90mm
Weight: 720g

Packing Accessories

1pc B41W bluetooth speaker
1pc fast charging cable
1pc Aux in cable
1pc User Manuel

Shenzhen iHold Technology Co.,Ltd

Add: 4th Floor, Building D, Huafeng No.1 Technology Park, Sanwei Xixiang , Bao'an , Shenzhen , Guangdong 518102 ,China.

Web: www.ihold.cc

NOTE: This equipment has been tested and found to comply with the limits for a Class B digital device, pursuant to part 15 of the FCC Rules. These limits are designed to provide reasonable protection against harmful interference in a residential installation. This equipment generates uses and can radiate radio frequency energy and, if not installed and used in accordance with the instructions, may cause harmful interference to radio communications. However, there is no guarantee that interference will not occur in a particular installation. If this equipment does cause harmful interference to radio or television reception, which can be determined by turning the equipment off and on, the user is encouraged to try to correct the interference by one or more of the following measures:

- Reorient or relocate the receiving antenna.
- Increase the separation between the equipment and receiver.

-Connect the equipment into an outlet on a circuit different from that to which the receiver is connected.

-Consult the dealer or an experienced radio/TV technician for help.

Changes or modifications not expressly approved by the party responsible for compliance could void the user's authority to operate the equipment.