

# 产品规格承认书

## SPECIFICATIONS

客户:

CUSTOMER: \_\_\_\_\_

产品名称:

DESCRIPTION: Bluetooth Antenna

客户型号:

CUSTOMER PART No: \_\_\_\_\_

产品型号:

OUR MODEL NO: **PBX3216MC02**

日期:

DATE: 2020/12/22

确认签字, 盖章后请返回承认书一份

PLEASE RETURN TO US ONE COPY OF "SPECIFICATION FOR APPROVAL"

WITH YOUR APPROVED SIGNATURES

核准	王海	审核	刘飞	制作	刘小美
----	----	----	----	----	-----

客户承认签印	
日期	

UNLESS OTHER SPECIFIED TOLERANCES ON:

X=±      X.X=±      X.XX=

ANGLES = ±      HOLEDIA = ±



深圳市朋伴兴业科技有限公司  
SHENZHEN PENG BAN XING YE TECHNOLOGY CO.,LTD

SCALE: N/A

UNIT: mm

DRAWN BY: Sera

CHECKED BY: XD

DESIGNED BY: Sera

APPROVED BY: XD

THESE DRAWINGS AND SPECIFICATIONS ARE THE PROPERTY OF PBXY TECHNOLOGY Limited AND SHALL NOT BE REPRODUCED OR USED AS THE BASIS FOR THE MANUFACTURE OR SALE OF APPARATUS OR DEVICES WITHOUT PERMISSION

TITLE: CHIP2450-3216 Specification

DOCUMENT NO.

3216

SPEC REV.

P1

# PBX3216MC02 Specification

Operating Temp. : -40°C~+85°C

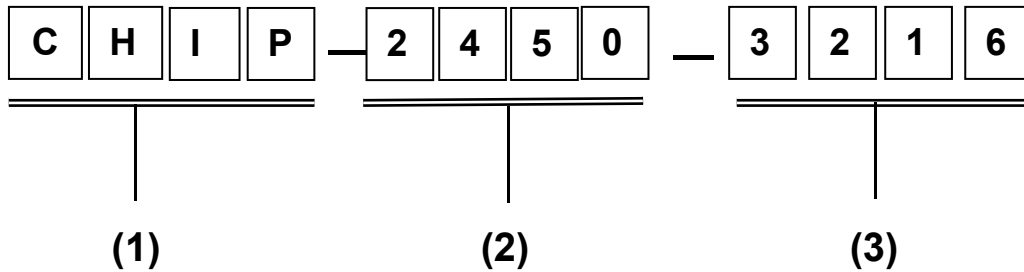
## 1. FEATURES:

- Light weight, compact
- Wide bandwidth, low cost
- Built-in antenna with high gain

## 2. APPLICATIONS:

- Bluetooth, Wireless LAN, Mobile TV
- Home RF System, etc

## 3. PRODUCT IDENTIFICATION



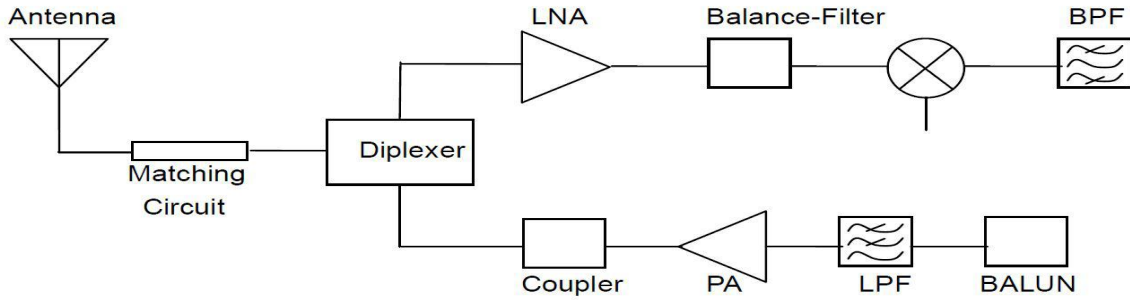
- (1) Product type: Multilayer chip Antenna  
 (2) Center Frequency: 2450MHz  
 (3) External Dimensions (L×W) (mm): 3.2\*1.6

## 4. ANTENNA PHOTO:



UNLESS OTHER SPECIFIED TOLERANCES ON: $X = \pm$ $X.X = \pm$ $X.XX =$ <b>ANGLES</b> = $\pm$ <b>HOLE DIA</b> = $\pm$		<b>深圳市朋伴兴业科技有限公司</b> SHENZHEN PENG BAN XING YE TECHNOLOGY CO.,LTD		
<b>SCALE:</b> N/A	<b>UNIT:</b> mm	THESE DRAWINGS AND SPECIFICATIONS ARE THE PROPERTY OF PBXY TECHNOLOGY Limited AND SHALL NOT BE REPRODUCED OR USED AS THE BASIS FOR THE MANUFACTURE OR SALE OF APPARATUS OR DEVICES WITHOUT PERMISSION		
<b>DRAWN BY:</b> Sera	<b>CHECKED BY:</b> XD			
<b>DESIGNED BY:</b> Sera	<b>APPROVED BY:</b> XD			
<b>TITLE:</b> CHIP2450-3216 Specification		<b>DOCUMENT NO.</b>	3216	SPEC REV. <b>P1</b>


## APPLICATION GUIDE



## 5. SPECIFICATIONS:

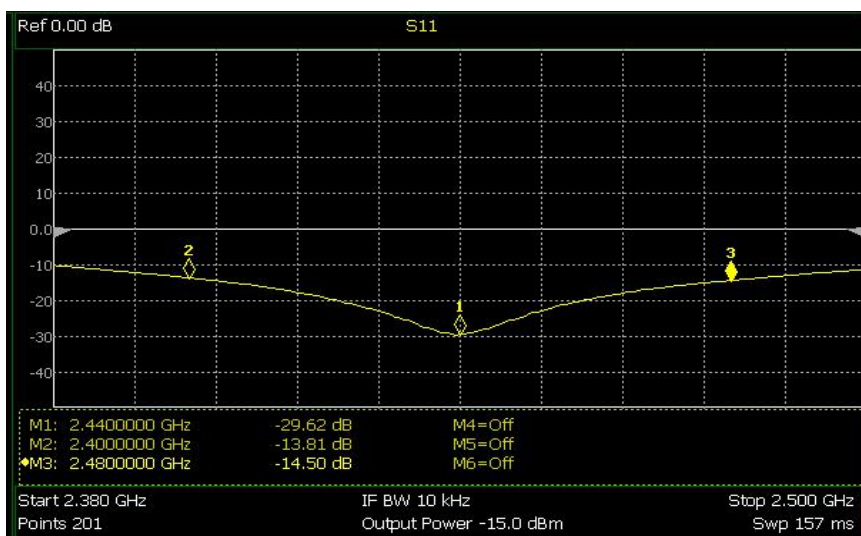
Test items	Specifications
Frequency range	2400~2483MHz
Polarization mode	Linear polarization
Maximum gain	1.2dBi
Efficiency	72.30%
Input impedance	50 Ω

\* Test condition: Test board size 90\*40 mm  
 Matching circuit: Pi matching circuit will be required

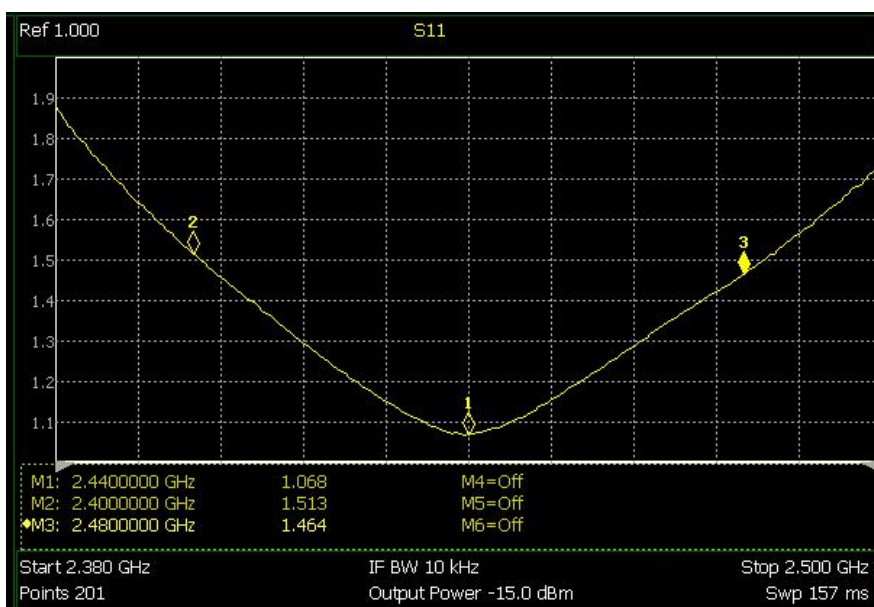
UNLESS OTHER SPECIFIED TOLERANCES ON: <b>X=±</b> <b>X.X=±</b> <b>X.XX=</b> <b>ANGLES = ±</b> <b>HOLEDIA = ±</b>		 <b>深圳市朋伴兴业科技有限公司</b> SHENZHEN PENGAN XINGYE TECHNOLOGY CO.,LTD		
<b>SCALE: N/A</b>	<b>UNIT: mm</b>	THESE DRAWINGS AND SPECIFICATIONS ARE THE PROPERTY OF PBXY TECHNOLOGY Limited AND SHALL NOT BE REPRODUCED OR USED AS THE BASIS FOR THE MANUFACTURE OR SALE OF APPARATUS OR DEVICES WITHOUT PERMISSION		
<b>DRAWN BY : Sera</b>	<b>CHECKED BY: XD</b>			
<b>DESIGNED BY: Sera</b>	<b>APPROVED BY: XD</b>			
<b>TITLE: CHIP2450-3216 Specification</b>		<b>DOCUMENT NO.</b>	<b>3216</b>	<b>SPEC REV.</b> <b>P1</b>

## 6. Electrical Characteristics :

### Return loss



### Standing wave ratio



Mark	Frequency	VSWR
1	2400 MHz	1.513
2	2440 MHz	1.068
3	2480 MHz	1.464

UNLESS OTHER SPECIFIED TOLERANCES ON:

X=± X.X=± X.XX=

ANGLES = ± HOLEDIA = ±

SCALE: N/A

UNIT: mm

DRAWN BY: Sera

CHECKED BY: XD

DESIGNED BY: Sera

APPROVED BY: XD

TITLE: CHIP2450-3216 Specification



深圳市朋伴兴业科技有限公司  
SHENZHEN PENG BAN XINGYE TECHNOLOGY CO.,LTD

THESE DRAWINGS AND SPECIFICATIONS ARE THE PROPERTY OF PBXY TECHNOLOGY Limited AND SHALL NOT BE REPRODUCED OR USED AS THE BASIS FOR THE MANUFACTURE OR SALE OF APPARATUS OR DEVICES WITHOUT PERMISSION

DOCUMENT NO.

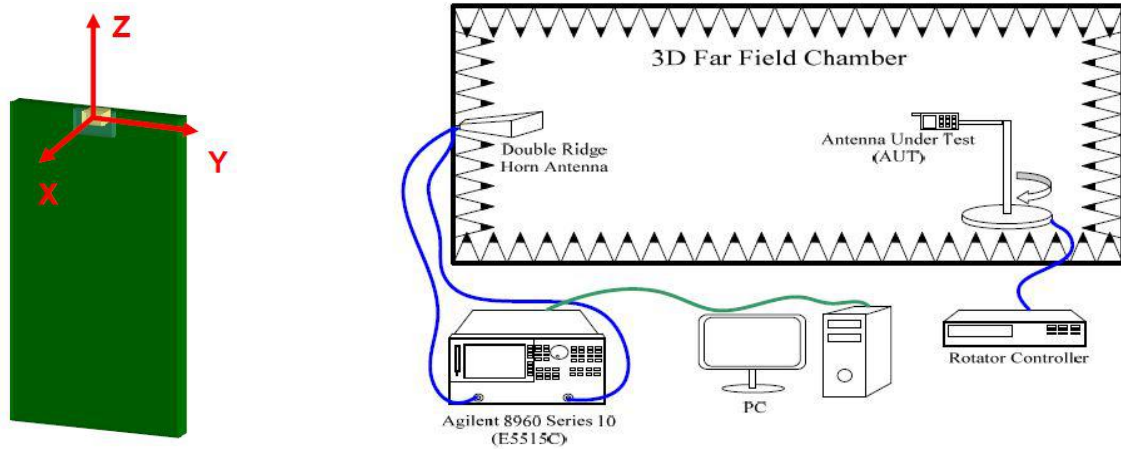
3216

SPEC REV.

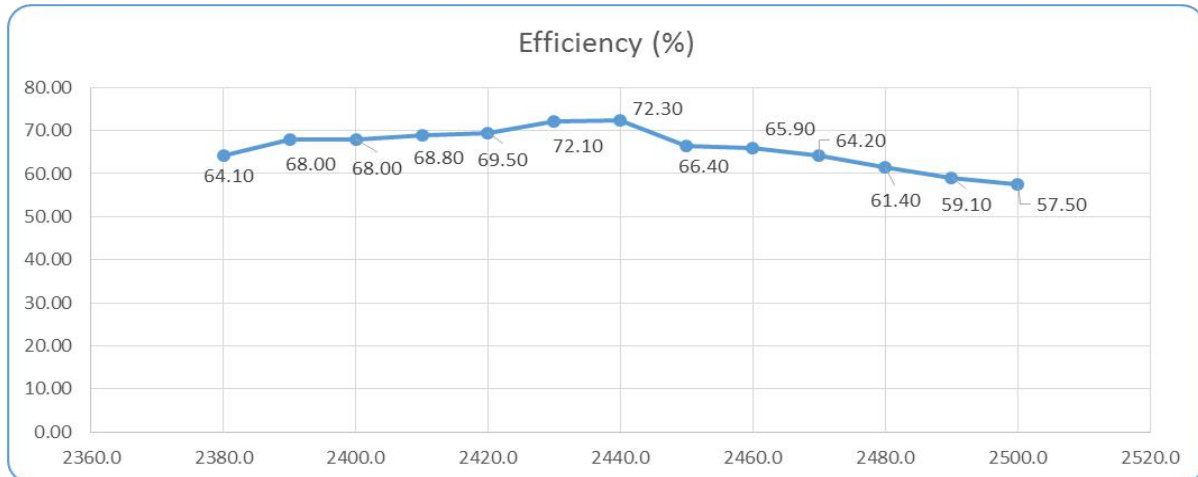
P1

## Radiation Pattern

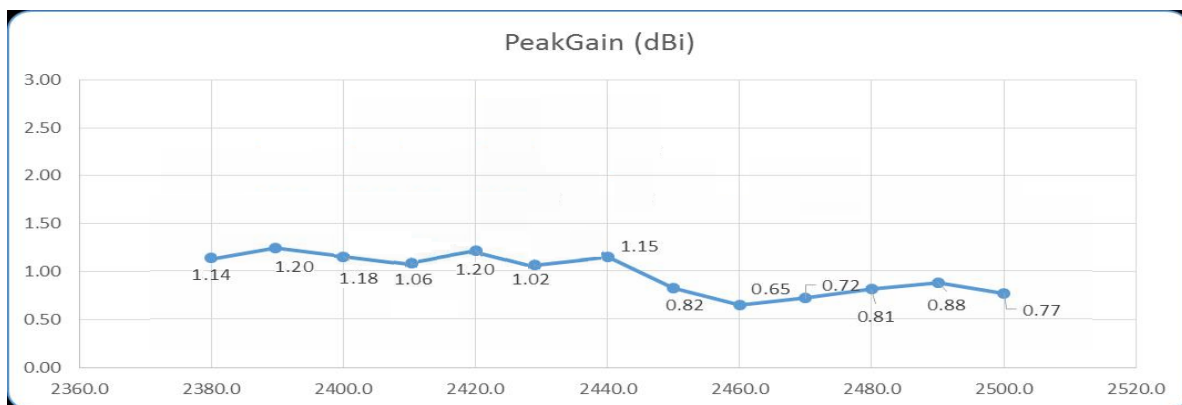
The Gain pattern is measured in FAR-field chamber. DUT is placed on the table of rotator, a standard horn antenna and Vector Network Analyzer is used to collect data.



## © Efficiency



## Maximum gain



UNLESS OTHER SPECIFIED TOLERANCES ON:

X=±      X.X=±      X.XX=  
 ANGLES = ±      HOLEDIA = ±

SCALE: N/A

UNIT: mm

DRAWN BY: Sera

CHECKED BY: XD

DESIGNED BY: Sera

APPROVED BY: XD



深圳市朋伴兴业科技有限公司  
 SHENZHEN PENG BAN XINGYE TECHNOLOGY CO.,LTD

THESE DRAWINGS AND SPECIFICATIONS ARE THE PROPERTY OF PBXY TECHNOLOGY Limited AND SHALL NOT BE REPRODUCED OR USED AS THE BASIS FOR THE MANUFACTURE OR SALE OF APPARATUS OR DEVICES WITHOUT PERMISSION

TITLE: CHIP2450-3216 Specification

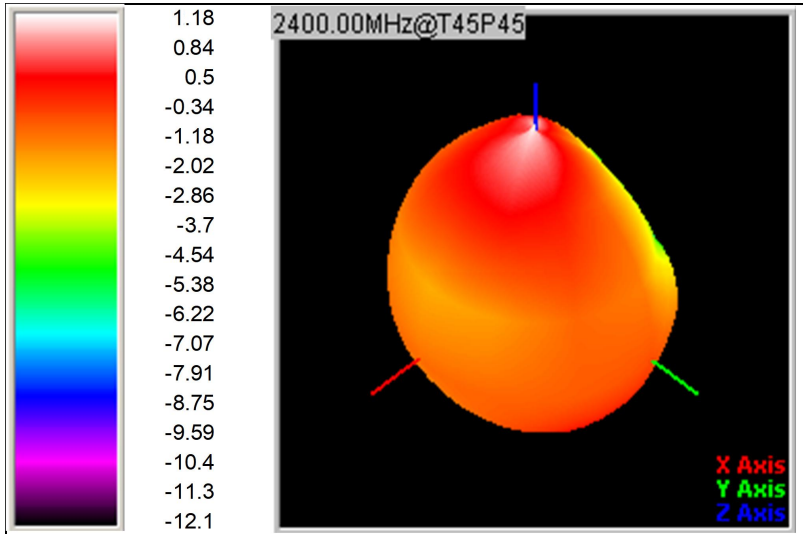
DOCUMENT NO.

3216

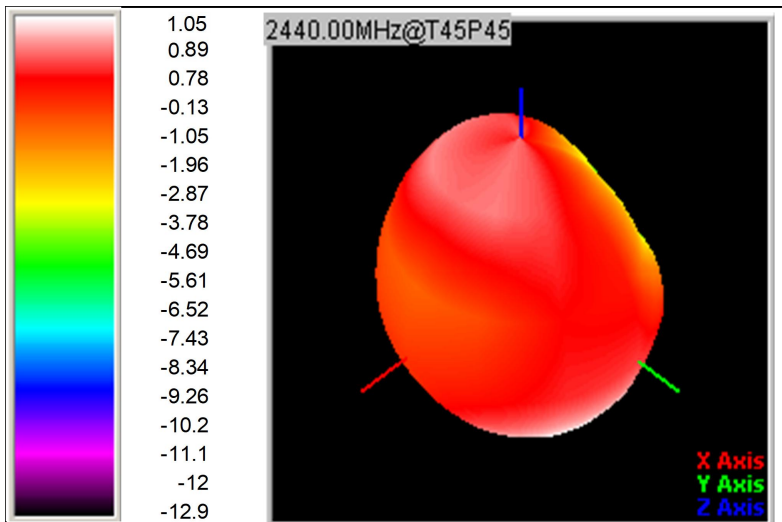
SPEC REV.

P1

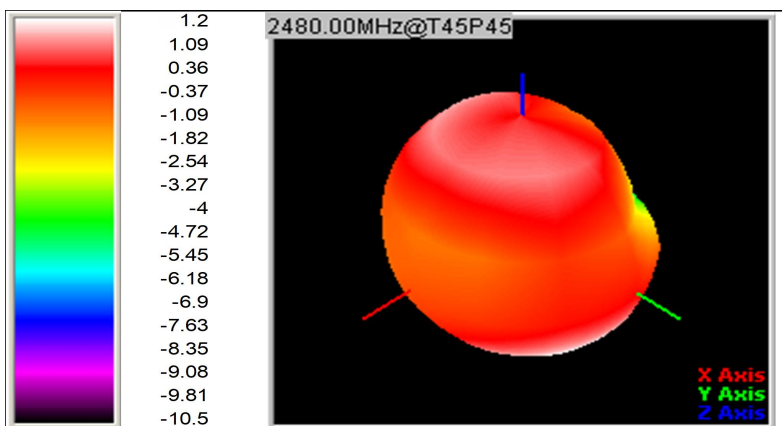
© 3D Gain Pattern (2400 MHz)



© 3D Gain Pattern (2440 MHz)



© 3D Gain Pattern (2480 MHz)



UNLESS OTHER SPECIFIED TOLERANCES ON:

X=±      X.X=±      X.XX=      ANGLES = ±      HOLEDIA = ±



深圳市朋伴兴业科技有限公司  
SHENZHEN PENG BAN XING YE TECHNOLOGY CO.,LTD

SCALE: N/A

UNIT: mm

DRAWN BY : Sera

CHECKED BY: XD

DESIGNED BY: Sera

APPROVED BY: XD

THESE DRAWINGS AND SPECIFICATIONS ARE THE PROPERTY OF PBXY TECHNOLOGY Limited AND SHALL NOT BE REPRODUCED OR USED AS THE BASIS FOR THE MANUFACTURE OR SALE OF APPARATUS OR DEVICES WITHOUT PERMISSION

TITLE: CHIP2450-3216 Specification

DOCUMENT NO.

3216

SPEC REV.

P1