

LED Floodlight Specifications

1. Products model:

YDSP130601UL-10W-WV YDSP130601UL-20W-WV YDSP130601UL-30W-WV YDSP130601UL-50W-WV
YDSP130601UL-20W-PIR YDSP130601UL-30W-PIR YDSP130601UL-50W-PIR YDSP130601UL-20W-MW
YDSP130601UL-30W-MW YDSP130601UL-50W-MW YDSP130601DLC-20W

2. Product Features

- ☆ Encapsulated with originally imported LED chip ensures the quality from the source.
- ☆ Sufficient heat dissipation guarantees the long life span.
- ☆ Effective water proof structure reduces the maintaining rate.
- ☆ HPS and halogen lamp are of low CRI, bad distinguishing, and not as clear as LED lamp
- ☆ LED projector has better positioning feature to effectively control the light pollution to the surrounding environment.
- ☆ Over 24 months of no record of failure in practical use.
- ☆ Hgh pressure sodium lamp has only white or yellow color, while the LED projector could realize more color effects: single color of green,
blue or white.
- ☆ IP Degree: IP65.

NINGBO YUSING LIGHTING CO.,LTD.

No.1199,MINGGUANG RD.JIANGSHAN TOWN,NINGBO,CHINA Tel:0574-89007076 Fax:0574-88364726

3. LED Floodlight parameter

LED Projector Parameters

Product model	Power (Max)	Life span (h)	Rated voltage (V)	Rated current (A)	frequency (Hz)	Power factor	Mounting height (m)	Projection area (m ²)	Dimension (mm)
YDSP130601UL-10W-WV	12	>30000	100-240~	0.115	50~60	>0.9	2.3m~3m (<3m)	5*5	152*116*25
YDSP130601UL-20W-WV	22			0.21				6*6	185*150*27
YDSP130601UL-30W-WV	33			0.35				6*6	295*215*40
YDSP130601UL-50W-WV	55			0.55				6*6	
YDSP130601UL-20W-PIR	22			0.21				6*6	
YDSP130601UL-30W-PIR	33			0.35				6*6	
YDSP130601UL-50W-PIR	55			0.55				6*6	
YDSP130601UL-20W-MW	22			0.21				6*6	
YDSP130601UL-30W-MW	33			0.35				6*6	
YDSP130601UL-50W-MW	55			0.55				6*6	
YDSP130601DLC-20W	22			0.21				6*6	

4. Wire connection guide

© The red wire is connected with the L wire of city electricity.

NINGBO YUSING LIGHTING CO.,LTD.

No.1199,MINGGUANG RD.JIANGSHAN TOWN,NINGBO,CHINA Tel:0574-89007076 Fax:0574-88364726

- ◎ The blue one is connected with the N wire of city electricity.
- ◎ The olive one is connected with the earth wire.
- ◎ Power Cord type: H05RN-F 3 x 1.0mm²

⚠ NOTICE

- ◎ Please do not take apart the light to avoid damaging the water proof feature.
- ◎ Please do not look directly into the led projector while it's lighting to avoid damage to the eyes.
- ◎ Working current only applicable for city electricity of 100~240V/50~60HZ..
- ◎ Ensure the earth wire connected with the earth effectively to avoid electric shock or being damaged by lightning or thundering.
- ◎ Ensure the current input line of lighting fixture be at the same side of the bracket and face to the ground.
- ◎ The wire connected with the lighting fixture must be wrapped with electric insulating gum to avoid the water flow into the lighting fixture.
- ◎ After the beam angle is fixed, ensure the screw in the bracket is completely fixed to avoid the light falling apart.
- ◎ Cut off the power supply while installing the light fixtures.
- ◎ Ensure no foreign matter in the grass to avoid light effect be Influenced.
- ◎ Lunimaires not suitable for direct mounting on normally flammable surfaces

es

(suitable only for mounting on non-combustible surfaces)

© Replace any cracked protective shield

FCC STATEMENT

1. This device complies with Part 15 of the FCC Rules. Operation is subject to the following two conditions:

(1) This device may not cause harmful interference.

(2) This device must accept any interference received, including interference that may cause undesired operation.

2. Changes or modifications not expressly approved by the party responsible for compliance could void the user's authority to operate the equipment.

NINGBO YUSING LIGHTING CO.,LTD.

No.1199,MINGGUANG RD.JIANGSHAN TOWN,NINGBO,CHINA Tel:0574-89007076 Fax:0574-88364726

NOTE: This equipment has been tested and found to comply with the limits for a Class B digital device, pursuant to Part 15 of the FCC Rules. These limits are designed to provide reasonable protection against harmful interference in a residential installation.

This equipment generates uses and can radiate radio frequency energy and, if not installed and used in accordance with the instructions, may cause harmful interference to radio communications. However, there is no guarantee that interference will not occur in a particular installation. If this equipment does cause harmful interference to radio or television reception, which can be determined by turning the equipment off and on, the user is encouraged to try to correct the interference by one or more of the following measures:

Reorient or relocate the receiving antenna.

Increase the separation between the equipment and receiver.

Connect the equipment into an outlet on a circuit different from that to which the receiver is connected.

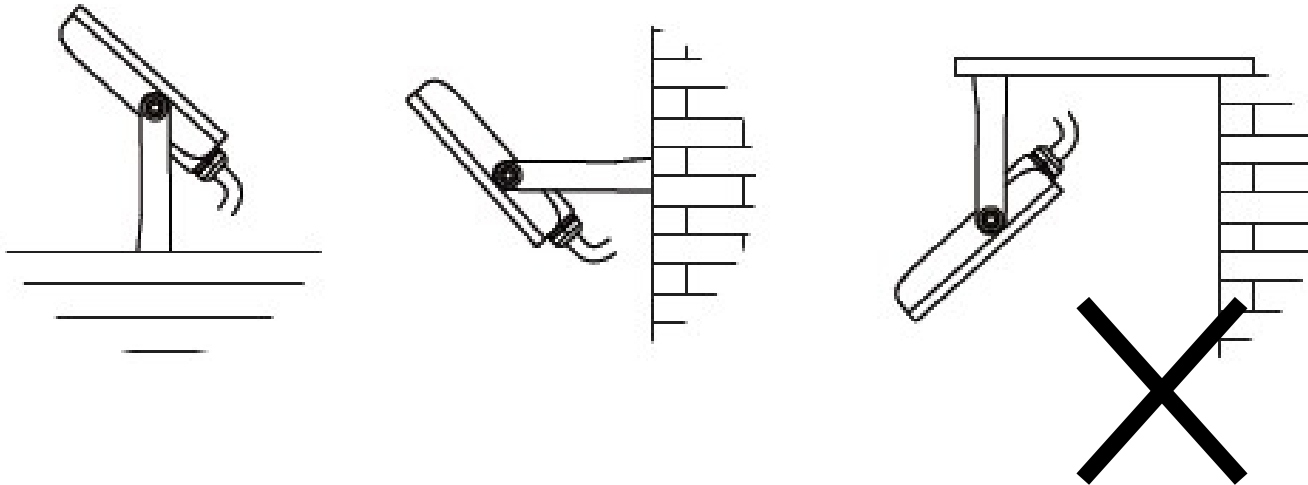
Consult the dealer or an experienced radio/TV technician for help.

NINGBO YUSING LIGHTING CO.,LTD.

No.1199,MINGGUANG RD.JIANGSHAN TOWN,NINGBO,CHINA Tel:0574-89007076 Fax:0574-88364726

INSTALLATION:

Installation of the product is to be completed by an authorized and licenced electrician, in accordance with these instructions, relevant the standards and local regulations (where applicable). All cable terminations must be installed in accordance with the designated IP rating of the product. Product orientation is important as follows:

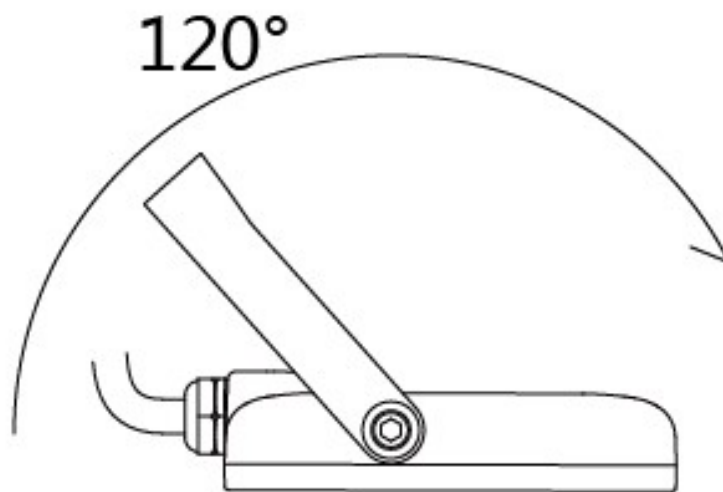


Adjust to installation:

NINGBO YUSING LIGHTING CO.,LTD.

No.1199,MINGGUANG RD.JIANGSHAN TOWN,NINGBO,CHINA Tel:0574-89007076 Fax:0574-88364726

As shown in figure,
unscrew this screw, then
adjust the angle of support.



Disposal

YUSING



This marking indicates that this product should not be disposed with other household wastes throughout the EU. To prevent possible harm to the environment or human health from uncontrolled waste disposal, recycle it responsibly to promote the sustainable reuse of material resources. To return your used device, please use the return and collection systems or contact the retailer where the product was purchased. They can take this product for environmental safe recycling.

NINGBO YUSING LIGHTING CO.,LTD.

No.1199,MINGGUANG RD.JIANGSHAN TOWN,NINGBO,CHINA Tel:0574-89007076 Fax:0574-88364726