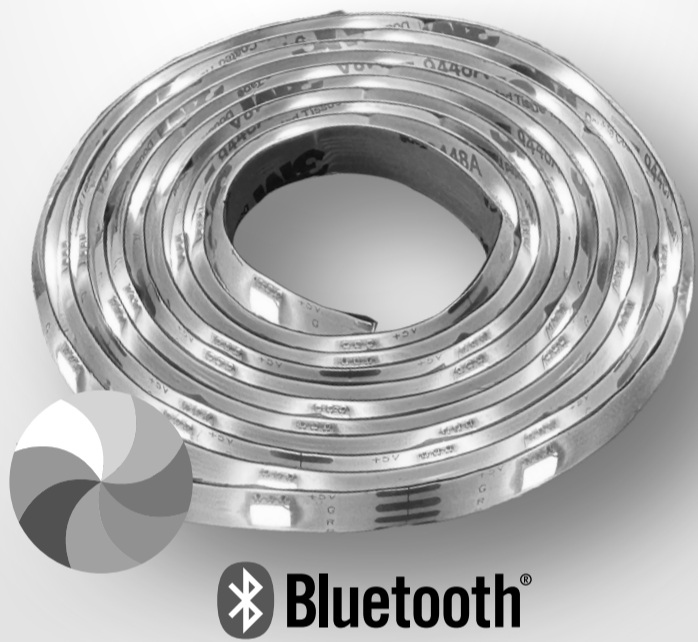




# User manual

## CASALUX®

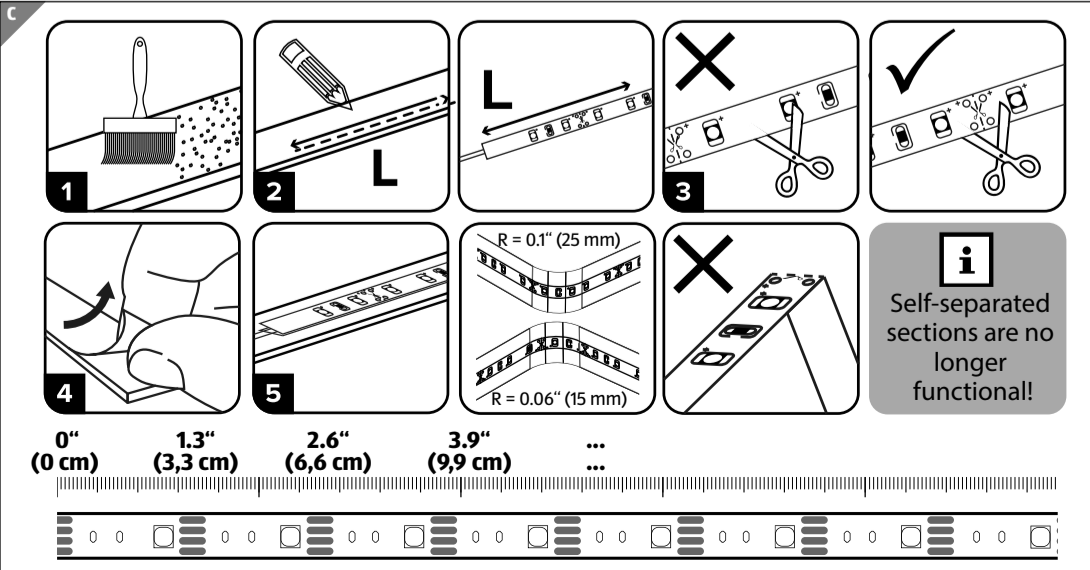
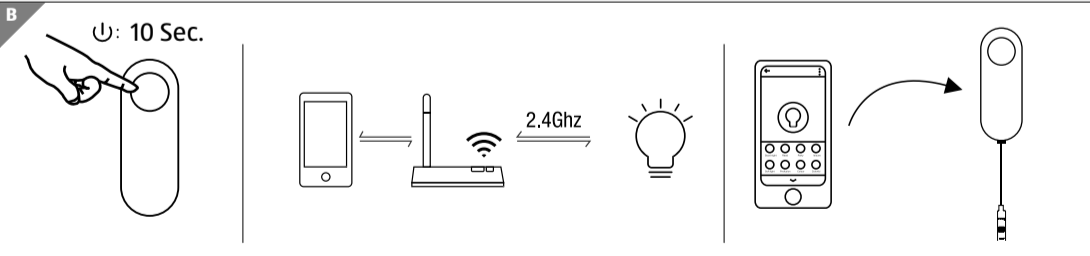
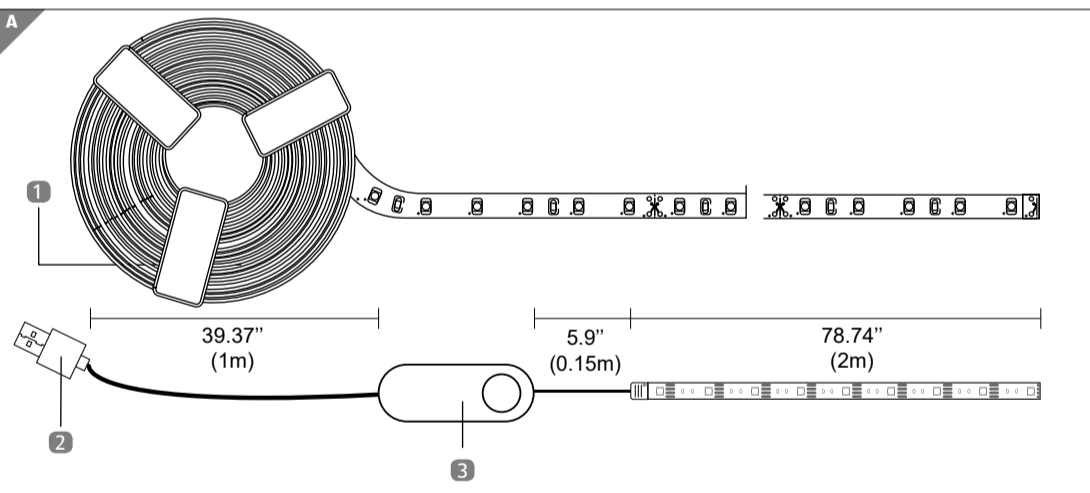
# COLOR CHANGING LED STRIP LIGHTS



Dok./Rev.-Nr. US\_46918\_830365\_BDA\_Bluetooth\_LED-Strip\_007

### Scope of delivery/product parts

- 1 LED strip
- 2 USB connection
- 3 Control unit



## General

### Reading and Storing the Operating Instructions

These operating instructions are an integral part of this Color Changing LED Strip Lights (hereinafter referred to only as "light"). They include important information on initial installation and use.

Read the operating instructions, the safety notes in particular, carefully before installing the light. Non-compliance with these operating instructions may result in severe injuries and damage to the light. Store the operating instructions for future use. If you give the device to a third party, it is critical that these operating instructions are also provided.

### Explanation of Symbols

The following symbols and signal words are used in these operating instructions, on the light itself, or on the packaging.

#### WARNING!

This signal symbol/word designates a hazard with a medium degree of risk, which, if not avoided, may result in a severe or even fatal injury.

#### NOTICE!

This signal word warns of potential property damage.

- This symbol provides additional useful information on its use.
- This symbol indicates that the light must only be used in interior spaces.
- Dimming capability. The light cannot be dimmed using a conventional dimmer.
- Products marked with this symbol are classified as protection class III.
- Alternating current.
- Direct current.

## Safety

### Intended Use

The light is designed exclusively for illuminating interior spaces. It is intended exclusively for personal use and not suitable for the commercial sector.

Only use this light as described in these operating instructions. Any use otherwise is deemed to be improper use and may cause property damage.

The manufacturer or retailer will not assume any liability for damage as a result of improper or incorrect use.

### Safety Notes

Do not look directly into the LED light rays.

#### WARNING!

### Danger of electric shock!

If the electrical installation is faulty or the mains voltage is too high, this may cause an electric shock.

- The power socket used must feature a safety extra-low voltage (SELV).
- Only plug in the light if the mains voltage of the socket matches the specification on the nameplate.
- Only plug the light into a socket outlet that is easily accessible so that you can quickly unplug the light from the mains in case of a fault.
- Do not use the light if it is visibly damaged or if the mains cable or plug is defective.
- If the mains cable of the light is damaged, have it replaced by the manufacturer, its customer service, or a similarly qualified person to avoid hazards.
- Do not open the enclosure. Any repairs should be left to specialists. Contact a specialist workshop.

- Liability and warranty claims are excluded for any repairs undertaken by the user, improper connection, or incorrect operation.
- For repairs, only use parts that match the original device data. This light is fitted with electrical and mechanical parts that are crucial for protecting against potential hazards.
- Do not use the light with an external timer or a separate remote control system.
- Do not submerge the light, the mains cable, or the mains plug in water or other liquids.
- Do not touch the mains plug if your hands are wet.
- Never use the power cord to pull the power plug out of the socket, instead, always grip at the power plug.
- Never use the power cord to carry the light.
- Keep the light, the power plug, and the power cord away from naked flames and hot surfaces.
- Lay the power cord so that it does not become a tripping hazard.
- Do not kink the power cord and do not run it over sharp edges.
- Only use the light in interior spaces. Never use the light in wet room environments.
- Never store the light in a place where it might fall into a bathtub or sink.
- Never grab an electrical appliance that has fallen into water. If this happens, unplug the appliance immediately.
- Always switch the light off and unplug it from the power socket whenever you are not using it, cleaning it or if a fault occurs.
- Do not use the light in its packaging or on the coil.
- Never open the light.
- Do not use the light if it is covered or recessed into a surface.
- Only use with the LED power adapter supplied.

#### WARNING!

### Hazards for children or persons with reduced physical, sensory, or mental capabilities (e.g. partially disabled persons, elderly persons with reduced physical and mental capacities) or lack of experience and knowledge (e.g. older children).

- This light can be used by children age eight and older as well as by persons with reduced physical, sensory or mental capacities, or lack of experience and knowledge if they are supervised or if they were instructed on the safe use of the light and understand the potential hazards they may result from the item. Do not allow children to play with the light. Children must not be allowed to clean or perform any maintenance without supervision.
- Keep children younger than the age of eight away from the light and the connection cord.
- Do not allow children to play with the packaging material. Children might get caught in the plastic foil and suffocate.

## NOTICE!

### Risk of damage!

Improper handling of the light may lead to damage to the light.

- Do not bring the power cord in contact with hot parts.
- Never expose the light to high temperatures (heating, etc.) or weather conditions (rain, etc.).
- Never fill liquid into the light.
- Never submerge the light in water or use a steam cleaner to clean it. This might damage the light.
- Never put the light in the dishwasher. Doing so would destroy it.
- Do not use the light if its plastic components are cracked or deformed. Only replace damaged components with matching original spare parts.
- The light source of this light cannot be replaced. Once the light source has reached the end of its service life, the entire light must be replaced.

### Initial commissioning

#### Check the Light and the Scope of Delivery

## NOTICE!

### Risk of damage!

Opening the packaging carelessly with a sharp knife or another sharp object can quickly damage the light.

- Use utmost care when opening.
  1. Take the light from the packaging.
  2. Check to ensure that the delivery is complete (see **Fig. A**).
  3. Check to ensure that the light or its individual parts are not damaged. If there is damage, do not use the light. Contact the manufacturer using the service address indicated in these warranty card.

### Mounting

## WARNING!

#### Danger of electric shock!

Always disconnect the LED Flexband from the mains supply before pulling it apart!

1. Uncoil the LED Flexband ① and lay it out untwisted.
2. Only pull the LED Flexband at the marked point if necessary (scissors symbol, see **Fig. B**).
3. Connect the USB cable ② with a suitable power adapter.
4. Plug the power adapter into the outlet.

## Ways to Operation

### Manual Control by the Button.

ON/OFF (Long press for 10 seconds to reset)

### App Remote



You can integrate the Strip into your Bluetooth network. To do this, simply download the Tuya app:



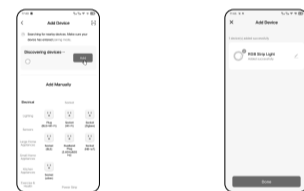
Download APP



1. Power on the controller and corresponding light bar.
2. Power off and on 3 times (Keep time interval not too short, um off after the light is on) or Long press the controller switch button for 10 seconds to reset the device.
3. Reset successful, the light turns red and flashes, then device is waiting for network distribution. Note: Please complete the network distribution within 3 minutes after resetting the device.
4. Open the Tuya App operation as shown below.

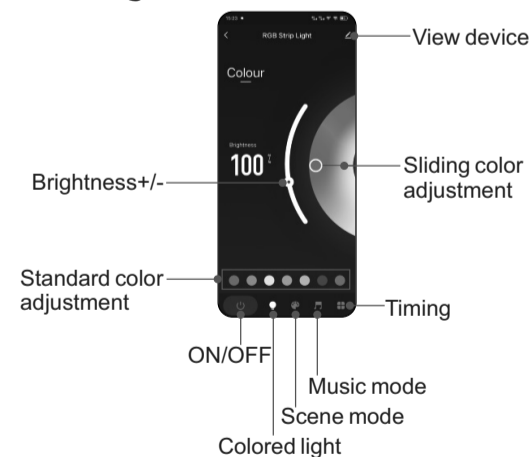


1. Open the Tuya App, click on the „+ „ sign.
2. Click to add device

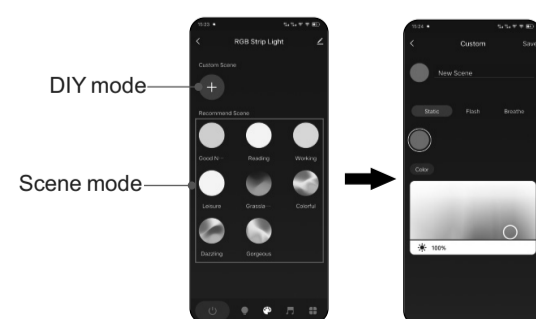


3. After the device displayed, click add
4. Connection completed

### Colored lights

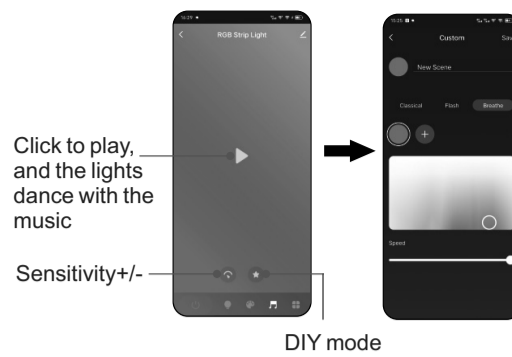


### Scene mode



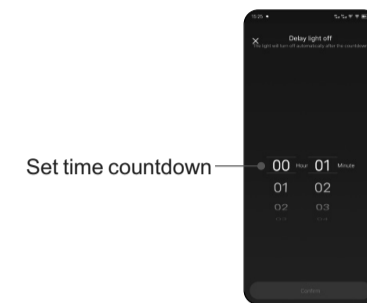
After clicking on the DIY mode, as shown in the right figure, you can modify the name, DIY static, jump, and breath modes, and adjust the brightness, color, and conversion speed of DIY.

### Music mode



After clicking on the DIY mode, as shown in the right figure you can modify the name, DIY classic, jump and breathing mode, and adjust DIY color and speed.

### Timing



The illustrations of products, accessories, user interfaces, etc. in the manual are schematic diagrams for reference only.

Due to the updating and upgrading of the product there may be slight differences between the physical product and the schematic diagram. Please refer to the physical product.

### Cleaning

## WARNING!

#### Danger of burns!

The light gets very hot when it is on.

- Allow the light to cool down completely before each cleaning.

## NOTICE!

#### Short-circuit hazard!

Any water or other liquid that penetrates the housing may cause a short circuit.

- Never submerge the light in water or any other liquid.
- Make sure that no water or other liquids penetrate the housing.

## NOTICE!

#### Risk of damage!

Improper handling of the light may lead to damage to the light.

- Do not use any aggressive cleaning agents, brushes with metal or nylon bristles and no sharp or any metal cleaning objects such as knives, metal sponges or similar. This may damage the surfaces.
- Never put the light in the dishwasher. Doing so would destroy it.
  1. Pull the power plug of the charger from the socket outlet before cleaning.
  2. Allow the light to cool down completely.
  3. Wipe off the light with a slightly moistened cloth. Then allow all parts to dry completely.

## Storage

All parts must be completely dry before storing them.

- Always keep the light in a dry location.
- Protect the light from direct sunlight.
- Store the light out of the reach of children, securely closed and at a storage temperature between +5 °C and +20 °C (room temperature).
- Remove the CMOS batteries from the remote control.

## Technical Data

Model:	46918
Input voltage:	5 V
Output:	5 W
Light color:	RGB
Protection class:	III
Power factor:	> 0.5
Length:	78.74" (2 m)
Item number:	830386

## Wireless specifications:

Frequency band of the wireless RF module:	2.4 GHz
Max. transmission power:	-4.65 dBm
Wireless range:	21.87 yd (20 m)
Standby consumption:	<0.1 W

## FCC Declaration of Conformity



For electronic products manufactured or sold in the US which certifies that the electromagnetic interference from the device is under limits approved by the Federal Communications Commission.

## UL Standards



This product satisfies the safety standards in accordance with UL (Underwriters Laboratories).

## Disposal

### Disposing of the packaging

Dispose of the packaging by type. Discard cardboard and cardboard in the waste paper collection, foil in the recycling collection.

## COLOR CHANGING LED STRIP LIGHTS

### FCC Compliance statement

This device complies with Part 15 of the FCC Rules. Operation is subject to the following two conditions:

- (1) this device may not cause harmful interference, and
- (2) this device must accept any interference received, including interference that may cause undesired operation.



Changes or modifications not expressly approved by MÜLLER-LICHT International GmbH could void the user's authority to operate the equipment.

This equipment has been tested and found to comply with the limits for a Class B digital device, pursuant to Part 15 of the FCC Rules. These limits are designed to provide reasonable protection against harmful interference in a residential installation.

This equipment generates, uses, and can radiate radio frequency energy and, if not installed and used in accordance with the instructions, may cause harmful interference to radio communications. However, there is no guarantee that interference will not occur in a particular installation.

If this equipment does cause harmful interference to radio or television reception, which can be determined by



turning the equipment off and on, the user is encouraged to try to correct the interference by one or more of the following measures:

Reorient or relocate the receiving antenna.

Increase the separation between the equipment and receiver.

Connect the equipment into an outlet on a circuit different from that to which the receiver is connected.

Consult an authorized dealer or service representative for help.

FCC Radiation Exposure Statement:

This equipment complies with FCC radiation exposure limits set forth for an uncontrolled environment. This equipment should be installed and operated with a minimum distance of 20 cm between the radiator and your body.

Wuensche USA  
801 Circle Ave  
Forest Park, IL 60130  
USA

 **1 866 558 8096**

DIST. & SOLD EXCLUSIVELY BY:  
ALDI  
BATAVIA, IL 60510

TIRAS DE LED QUE CAMBIAN DE COLOR

## Declaración de conformidad con la FCC

Este dispositivo cumple con la parte 15 de las normas de la FCC. Su funcionamiento está sujeto a las dos condiciones siguientes:

- (1) este dispositivo no puede causar interferencias perjudiciales, y
- (2) este dispositivo debe aceptar cualquier interferencia recibida, incluida la que pueda causar un funcionamiento no deseado.



Los cambios o modificaciones no aprobados expresamente por MÜLLER-LICHT International GmbH podrían anular la autoridad del usuario para utilizar el equipo.

Este equipo ha sido probado y se ha encontrado que cumple con los límites para un dispositivo digital de Clase B, de acuerdo con la Parte 15 de las Reglas de la FCC. Estos límites están diseñados para proporcionar una protección razonable contra las interferencias perjudiciales en una instalación residencial.

Este equipo genera, utiliza y puede irradiar energía de radiofrecuencia y, si no se instala y utiliza de acuerdo con las instrucciones, puede causar interferencias perjudiciales en las comunicaciones de radio. No obstante, no se



# CASALUX®

**830386**

46918

puede garantizar que no se produzcan interferencias en una instalación concreta.

Si este equipo causa interferencias perjudiciales en la recepción de radio o televisión, lo cual puede determinarse apagando y encendiendo el equipo, se recomienda al usuario que intente corregir las interferencias mediante una o varias de las siguientes medidas:

Reorientar o reubicar la antena receptora.

Aumentar la separación entre el equipo y el receptor.

Conecte el equipo a una toma de corriente en un circuito diferente al que está conectado el receptor.

Consulte a un distribuidor o representante del servicio técnico autorizado para obtener ayuda.

Declaración de exposición a la radiación de la FCC:

Este equipo cumple con los límites de exposición a la radiación de la FCC establecidos para un entorno no controlado. Este equipo debe instalarse y utilizarse con una distancia mínima de 20 cm entre el radiador y su cuerpo.

Wuensche USA  
801 Circle Ave  
Forest Park, IL 60130  
USA

 **1 866 558 8096**

DIST. & SOLD EXCLUSIVELY BY:  
ALDI  
BATAVIA, IL 60510