



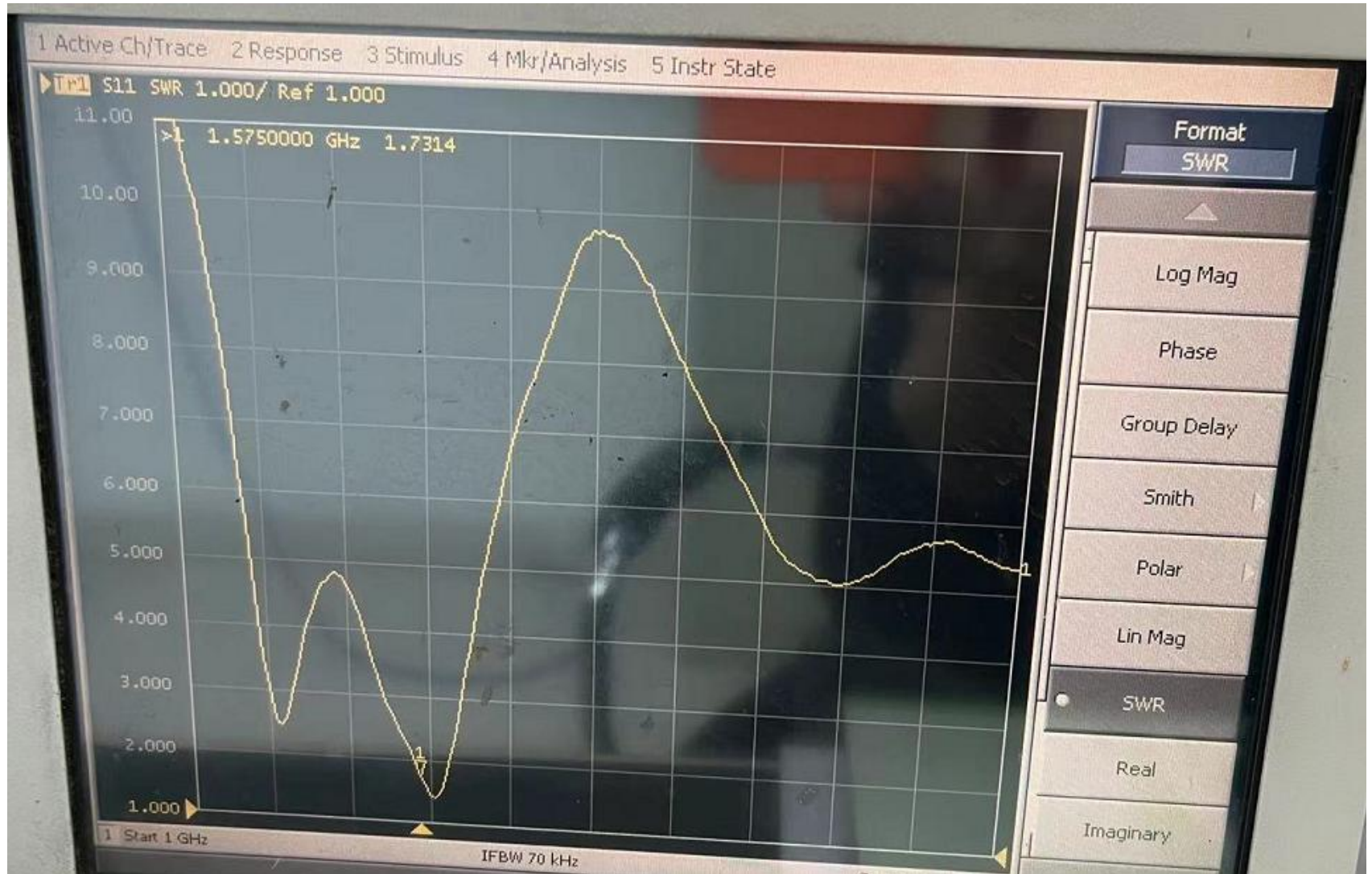
# 深圳市威尔创通讯科技有限公司

## Welletronics Communication Technology Limited

**Address: 1st, 2nd, and 3rd floors, No. 8 Tongfu Estate Industrial Zone, Xinshi Community,  
Dalang Street, Longhua District, Shenzhen**

内置LDS支架天线	IDS05/06
1. GPS/BT	
2024-3-19	
	Tel:

# GPS SWR



# GPS Efficien

Freq	Efficien cy_dB	Efficien cy_Pcent	Gain		Freq	Efficien cy_dB	Efficien cy_Pcent	Gain
1520	-9.2	12.02	-3.1		1520	-11.04	7.87	-6.96
1530	-8.55	13.98	-2.4		1530	-11.18	7.62	-6.31
1540	-8.54	13.99	-2.31		1540	-10.88	8.17	-6.43
1550	-8.13	15.38	-1.96		1550	-10.84	8.24	-6.08
1560	-7.9	16.21	-1.66		1560	-10.82	8.27	-6.01
1570	-7.7	16.98	-1.3		1570	-10.77	8.38	-6.29
1580	-7.48	17.88	-1.04		1580	-10.69	8.52	-6.19
1590	-7.38	18.27	-0.87		1590	-10.53	8.84	-6.36
1600	-7.04	19.78	-0.61		1600	-10.22	9.5	-6.48
1610	-6.71	21.33	-0.46		1610	-10.48	8.95	-6.42
1620	-7.19	19.11	-1.34		1620	-11.07	7.82	-7.03

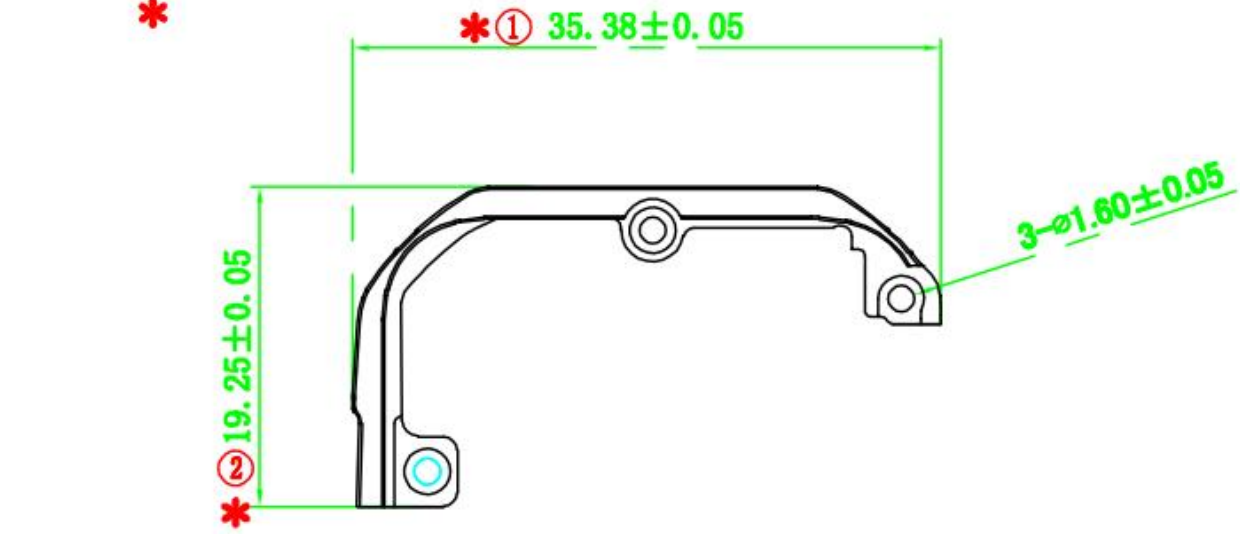
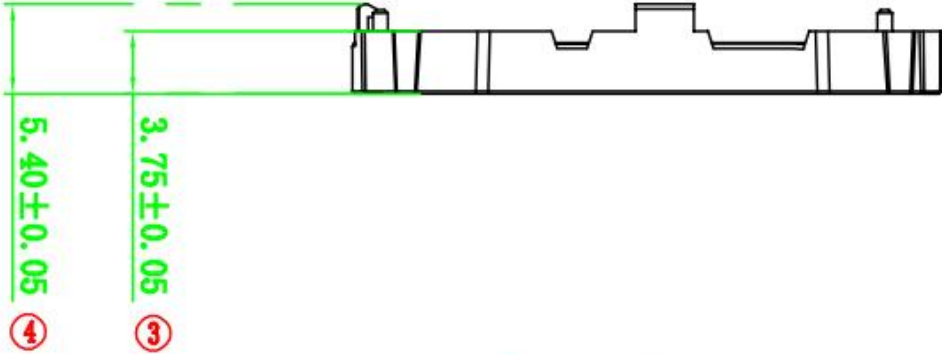
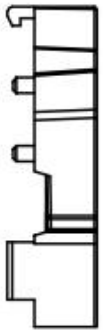
# BT SWR



# BT Efficien

Freq	Efficien cy_dB	Efficien cy_Pcent	Gain		Freq	Efficien cy_dB	Efficien cy_Pcent	Gain
2400	-9.19	12.04	-3.96		2400	-13.72	4.24	-10.93
2410	-8.83	13.09	-3.51		2410	-13.13	4.87	-10.2
2420	-8.62	13.74	-3.19		2420	-12.98	5.03	-9.59
2430	-8.52	14.05	-3.76		2430	-12.67	5.41	-8.89
2440	-8.19	15.19	-2.97		2440	-12.17	6.06	-8.94
2450	-8.32	14.73	-2.62		2450	-11.78	6.63	-8.37
2460	-8.01	15.8	-2.01		2460	-11.74	6.7	-8.29
2470	-7.92	16.15	-2.1		2470	-12.6	5.49	-8.61
2480	-8.15	15.32	-2.33		2480	-13.24	4.74	-9.12
2490	-8.3	14.8	-2.56		2490	-13.31	4.66	-9.23
2500	-8.35	14.63	-2.66		2500	-13.6	4.36	-9.26

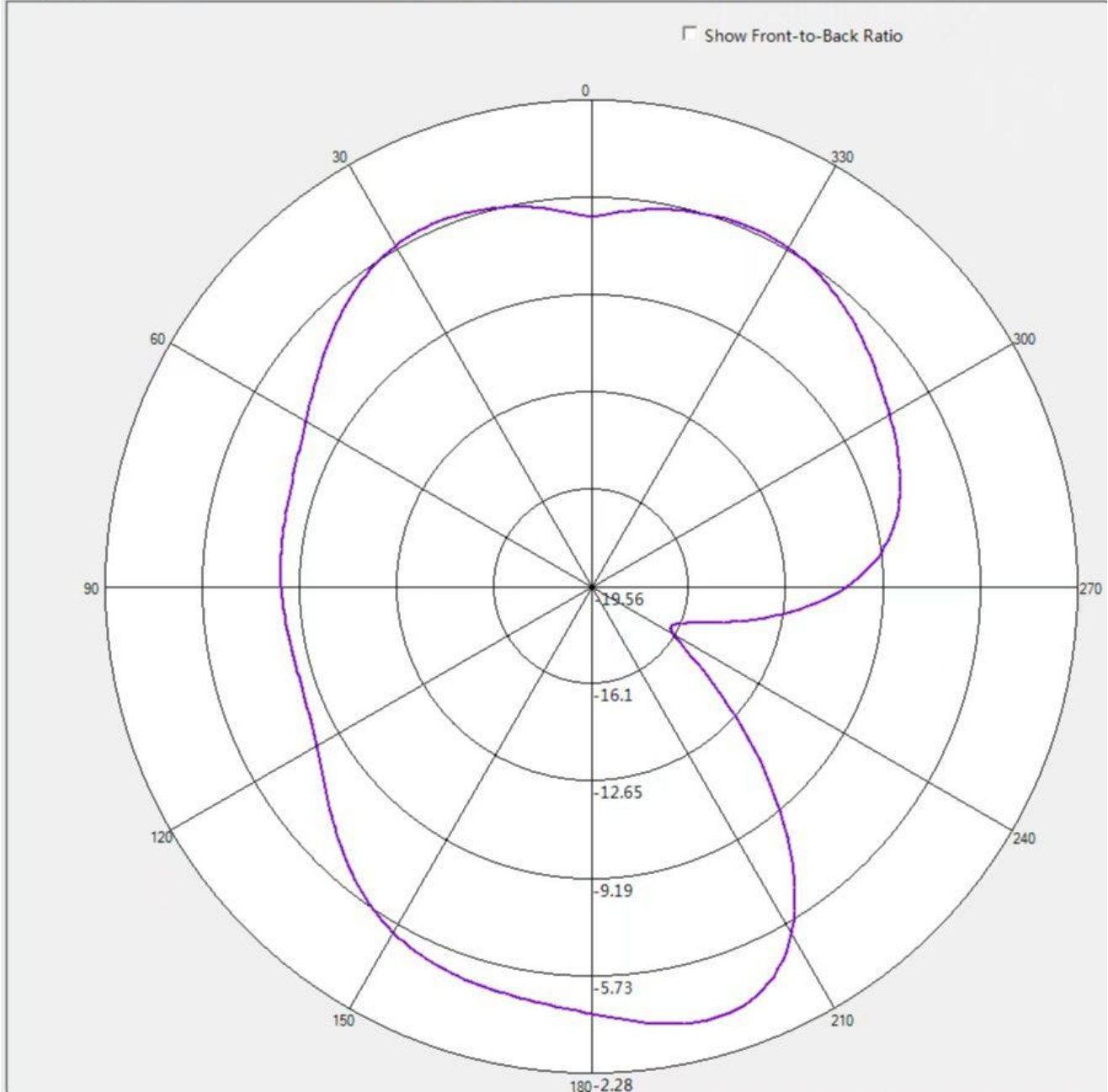




Frequency: 2450

Theta Section  Phi Section  Theta  Phi  Total

Show Front-to-Back Ratio





深圳市威尔创通讯科技有限公司

**Welletronics Communication Technology Limited**

Thank you !