

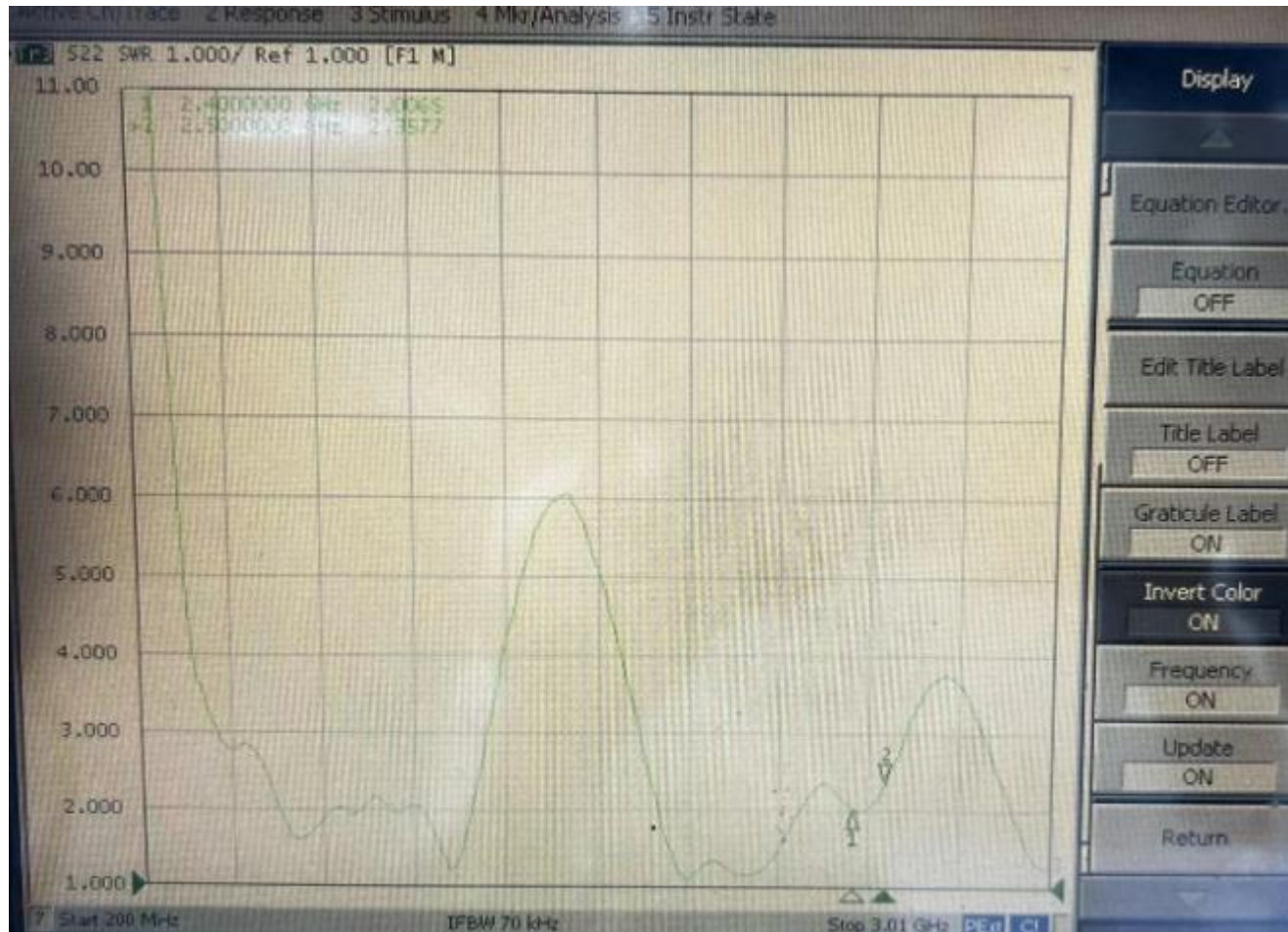


Welletronics Communication Technology Limited

ADD: 1st, 2nd, and 3rd floors, No. 8 Tongfu Estate Industrial Zone, Xinshi Community, Dalang Street,
Longhua District, Shenzhen

	GTX16
1. BT	
2023-10-9	R:A
RF:	Tel:

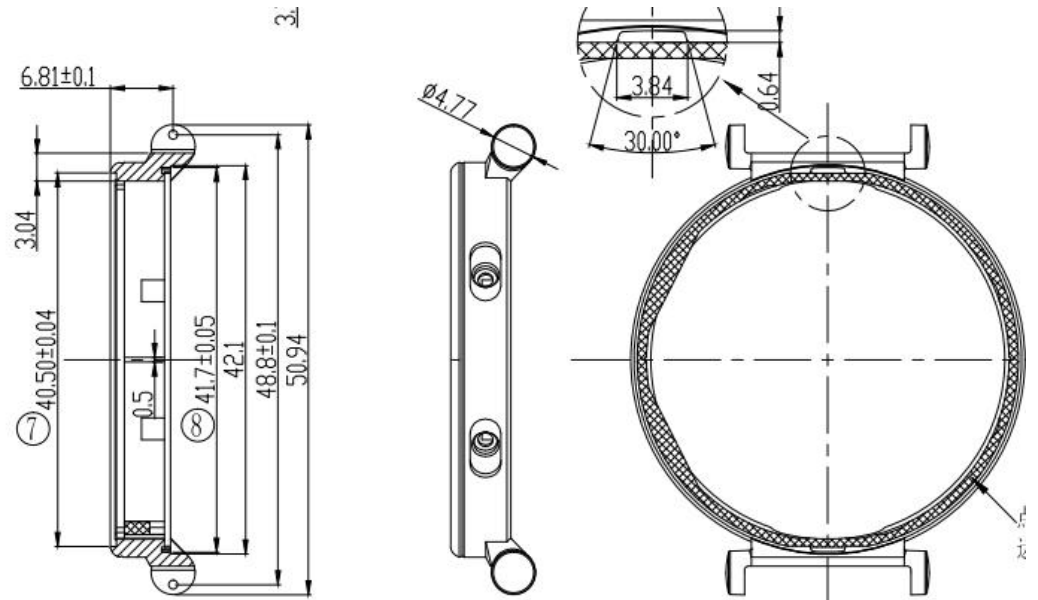
GPS/ BT SWR



Antenna size



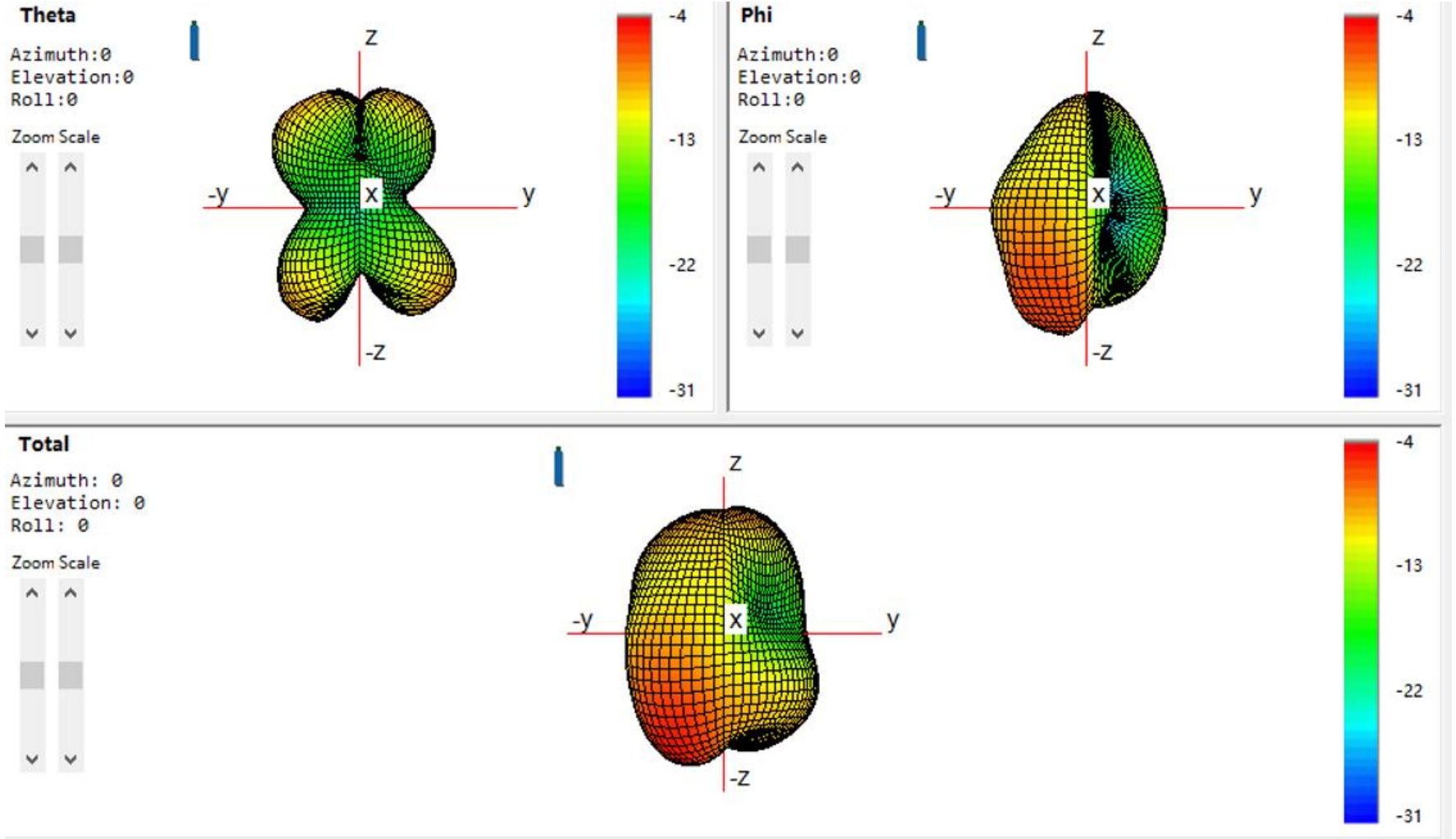
units: mm



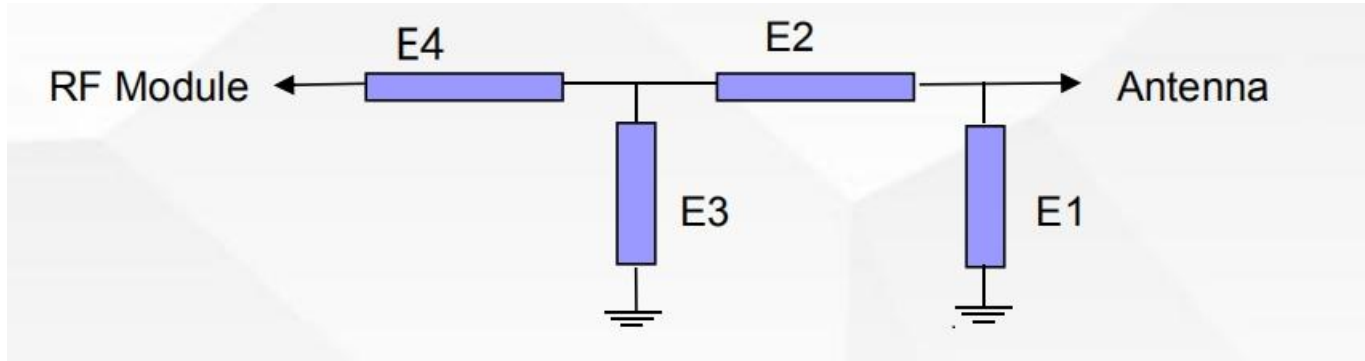
3 BT

Freq (MHz)	Effi (%)	Effi (dB)	Gain (dBi)
2400	21.42	-6.69	-1.38
2410	21.04	-6.77	-1.39
2420	20.88	-6.8	-1.37
2430	20.47	-6.89	-1.53
2440	21.33	-6.71	-1.29
2450	22.18	-6.54	-1.15
2460	21.99	-6.58	-1.27
2470	21.03	-6.77	-1.59
2480	20.48	-6.89	-1.82
2490	20.12	-6.96	-1.96
2500	19.83	-7.03	-2.2

BT free space radiation



5



	Element	Value
antenna	E1	N/A
	E2	0R
	E3	N/A
	E4	

**1st, 2nd, and 3rd floors, No. 8 Tongfu Estate Industrial Zone, Xinshi Community, Dalang Street, Longhua District,
Shenzhen**

Welletronics Communication Technology Co., LTD

Thank you !