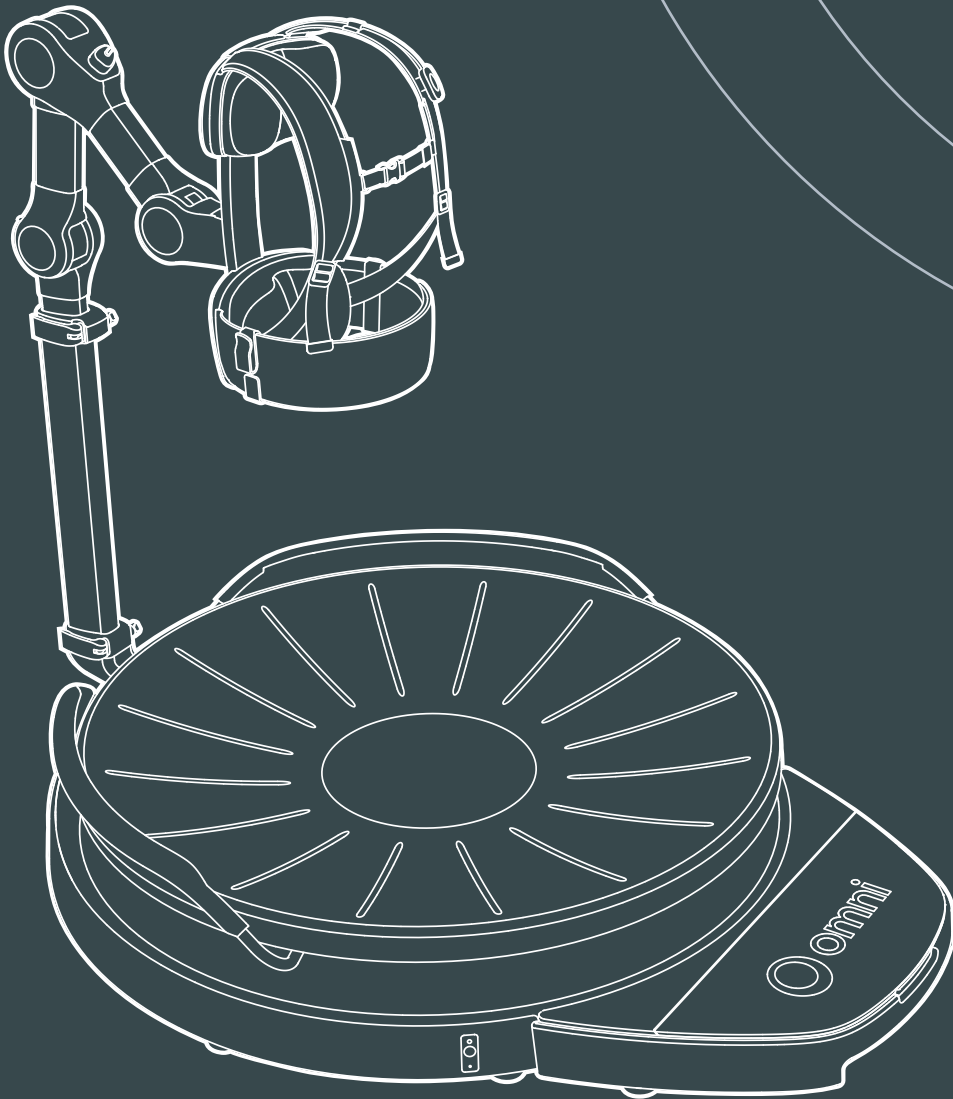


 omni one

OWNER'S MANUAL



**Thank you for purchasing
Omni One™**



WARNING

To avoid risk of injury or damage, read and follow all assembly and usage instructions before using Omni One or any accessories. Do not use or allow anyone else to use Omni One who is pregnant, intoxicated, epileptic, or recovering from major surgery, illness, or a heart attack. This product is intended for use by healthy adults between 4'4" (132 cm) and 6'4" (192 cm) tall, and not more than 250 lbs (113 kg). Do not use or allow anyone else to use this product who does not meet the height/weight requirements, or who is not healthy enough to engage in moderate to heavy physical exercise.

Exercise can present a health risk. Users should consult a physician before beginning any exercise program with this equipment. Users who feel faint or dizzy should immediately discontinue use of this equipment. Serious bodily injury can occur if this equipment is not assembled or used correctly. Keep other people and pets away from equipment when in use. Always make sure the Omni One vest and all bolts and nuts are securely tightened prior to each use. Do not wear or use the Omni One footwear outside of this product, and always engage the anti-slip pad of the footwear when entering and exiting Omni One.

1. WELCOME TO THE OMNIVERSE™

Enter a New World

Since we first acquired the gift of imagination, our deepest desire has been to physically inhabit our fantasies, transcending, if only for a while, the restrictions imposed on us by the real world. This quest has taken us past many milestones, from the birth of language and the first cave painting to the printed word and the motion picture. In the past few decades, technology has made it possible to interact with our creations in the form of video games. More recently, virtual reality displays have allowed us to peek inside the virtual world, making us feel like we're finally there—almost.

One barrier has continued to halt that first step into the unknown. How do we escape the physical confines of our crowded spaces and move naturally, impulsively, without limits? Attempting to drive our virtual avatars by pushing buttons can break immersion and trigger the nauseating symptoms of simulator sickness.

Finally, there's an answer. Omni One frees users from seated or standing-only experiences, unleashing the full potential of virtual reality. Locomotion using a controller or teleporting mechanic simply pales in comparison once you've tried true, full-body VR.

We are about to embark on an incredible journey. As well as making VR experiences more enjoyable and immersive, Omni One also contributes to physical fitness and health. Omni One is the antidote to our now dangerously sedentary modern lifestyle. Unlike traditional exercise and dieting regimes that are difficult to maintain, Omni One harnesses our instinctive urge to explore and makes healthy movement a pleasure, not a chore.

Applications of locomotion in VR stretch far beyond gaming and fitness: education, training, tourism, business and social meetups ... the possibilities are limitless. Omni One's immersive technology opens up new realms of potential, revolutionizing how we live, learn, work, and play.

It took us 10 years to develop Omni One and turn our vision into reality. From all of us at Virtuix, we thank you for sharing our vision, and we bid you safe travels in the Omniverse.

Get ready to enter a new world.

With thanks,

The Virtuix Team

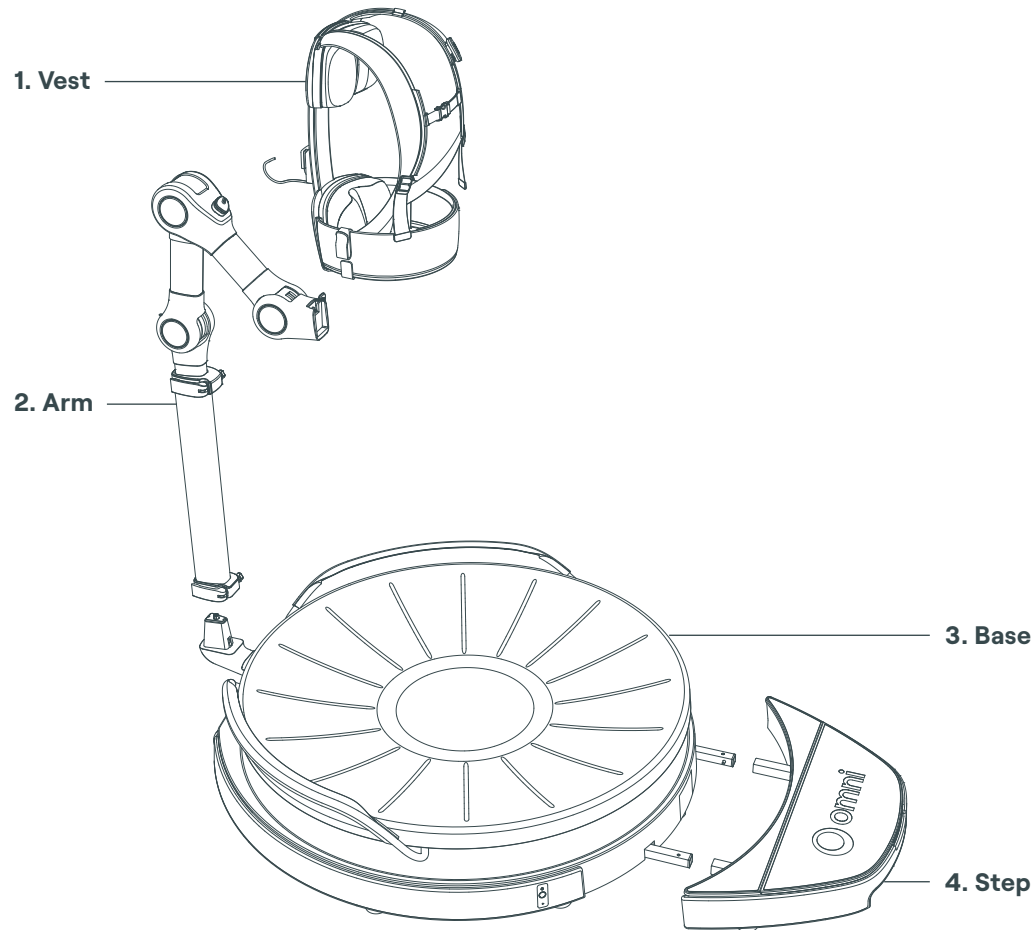
2. CONTENTS

OMNI ONE PARTS LIST	08
SAFETY INSTRUCTIONS	10
GETTING STARTED	12
ASSEMBLING YOUR OMNI ONE	13
ASSEMBLING THE BASE	14
INSERTING THE ARM	16
ATTACHING THE VEST	20
PLUGGING IN YOUR OMNI ONE	22
PREPARING TO PLAY	23

FIRST STEPS	29
DISASSEMBLY	35
MAINTENANCE	37
HEADSET AND CONTROLLER DETAILS	38
LIMITED WARRANTY	40
TRANSLATIONS	46
REGULATORY STATEMENTS	66

3. OMNI ONE PARTS LIST

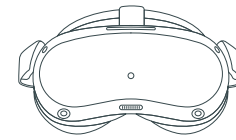
The package includes the following components:



Note: The Omni One product and packaging are updated occasionally. Your Omni One might differ slightly from the depictions in this manual.

WARNING

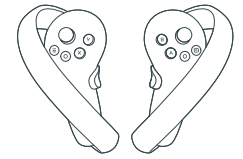
To avoid risk of injury or damage, please read and follow all safety, assembly, and usage instructions in this manual and available at <https://virtuix.com/health-and-safety-warnings-and-instructions>.



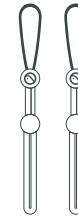
5. Headset



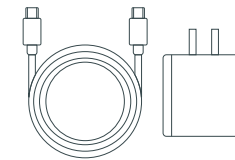
6. Glasses Spacer



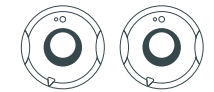
7. Controllers



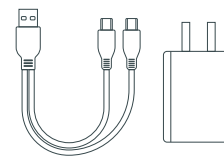
8. Wrist Straps



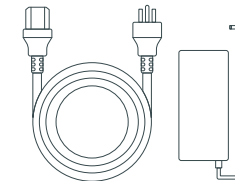
9. Headset Charging Cable & Charger



10. Foot Trackers



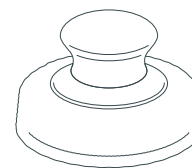
11. Foot Trackers Charging Cable & Charger



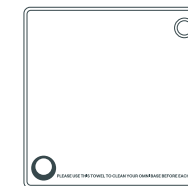
12. Omni One Power Cable & Adaptor



13. EASY-WALK™ Spray Bottle



14. Cleaning Pad



15. Dusting Towel



16. Lens Cleaning Cloth

Note: If you ordered additional overshoes, vests, or other accessories, you'll receive them in separate packages.

4. SAFETY INSTRUCTIONS

! WARNING

To avoid risk of injury or damage, read and follow Omni One's health and safety warnings and instructions before using this product, and enforce that guest users follow all usage instructions.



! WARNING

This product contains a chemical known to the State of California to cause cancer and birth defects or other reproductive harm.



! WARNING

Do not use or allow anyone else to use Omni One who is pregnant, intoxicated, epileptic, or recovering from major surgery, illness, or a heart attack.



! WARNING

This product is intended for use by healthy adults between 4'4" (132 cm) and 6'4" (192 cm) tall, and not more than 250 lbs (113 kg).

Do not use or allow anyone else to use this product who does not meet the height/weight requirements, or who is not healthy enough to engage in moderate to heavy physical exercise.

! CAUTION

Ensure that Omni One is placed in a safe location where full extension of your or a guest user's limbs (including any handheld props or devices) cannot contact any walls, ceiling, furniture, lights, fans, or other obstacles.



Keep other people (particularly children) and pets away when you or a guest user are using Omni One.

! CAUTION

To avoid accidents, wear the hand controllers' wrist straps during use.

! CAUTION

Prior to use, inspect all parts to confirm that they are in working order and there are no cracks, tears, bulges, bending, or other signs of wear and tear in the product and accessories. Check all connections and moving parts, and confirm that all nuts, bolts, and other stress points of Omni One are securely fastened.

! WARNING

The Omni One base is highly slippery. Always engage the ant-slip friction pad of the Omni One footwear before you or guest users enter or exit the Omni One base. Hold onto the hand grip on top of the Omni One vest when getting on and off the Omni One base. Ensure the Omni One rotation is locked before you or guest users get on or off the Omni One base.



! WARNING

Always strap on and securely tighten the Omni One vest before use. Fasten the Velcro belt around your or your guest user's waist, ensuring it fits snugly. Connect the chest strap using the buckle.

Never use Omni One without wearing the Omni One vest.

! WARNING

To avoid risk of injury, follow the instructions related to wear and use of the Omni footwear.

Do not use the Omni One footwear outside of the Omni One product.



Always take off the Omni One footwear after using Omni One.

! CAUTION

Virtuix may from time to time recommend or even require that you replace certain parts of the Omni One product when reaching certain usage milestones. Replace those parts promptly per Virtuix's instructions, as not doing so may result in bodily injury or permanent damage to your product.

! WARNING

Use of virtual reality ("VR") head-mounted displays may present risks of injury. Be sure to read and follow all provided instructions and heed all warnings related to use of VR devices. Stop playing when you experience pain, numbness, tingling, or are feeling dizzy or unwell.

! WARNING

Choking Hazard: Do not leave the foot trackers or other small parts where they can be reached by children or animals. Small parts present a choking hazard. The foot trackers contain lithium-ion batteries and may be harmful if swallowed.

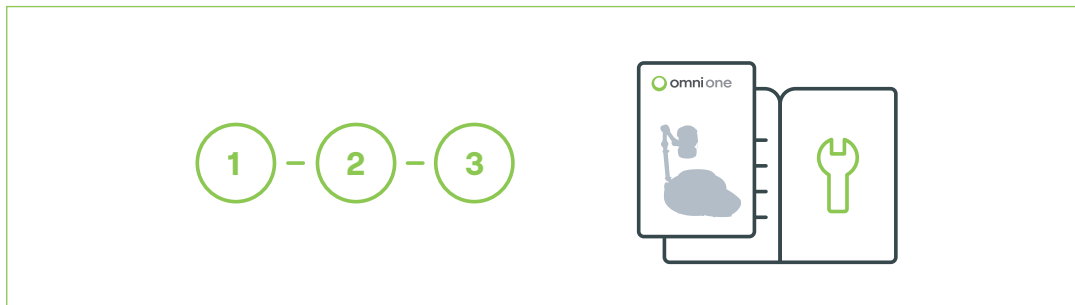


5. GETTING STARTED

A. Scan this QR code to download the Omni One mobile app and create your account.



B. Follow the step-by-step instructions in the app or in this manual on how to assemble your Omni One.



C. If you have any questions or issues, contact us at help@virtuix.com or <https://support.virtuix.com>.

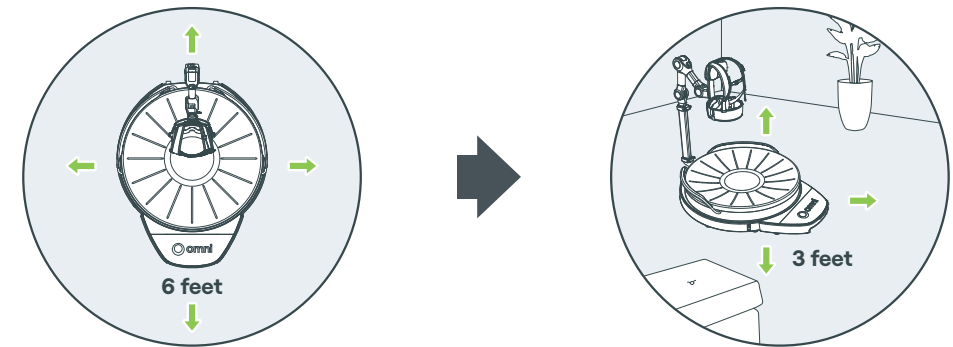


Note: Don't forget to activate your free 30-day trial of Omni Online! Omni Online is Omni One's service to play online multiplayer games, access leaderboards and esports contests, save games in the cloud, and much more.

6. ASSEMBLING YOUR OMNI ONE

Before assembling your Omni One, follow the steps below to prepare an unobstructed space to locate the product.

Preparing Your Omni One Space



A. Find an empty floorspace for Omni One that is at least 6 feet x 6 feet (2 meters x 2 meters) in area.

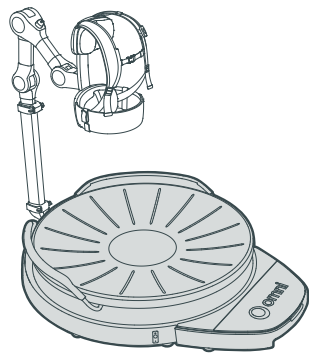
B. To avoid collisions during use, ensure that all sides of Omni One are more than 3 feet (1 meter) away from walls, furniture, and other objects.

! WARNING

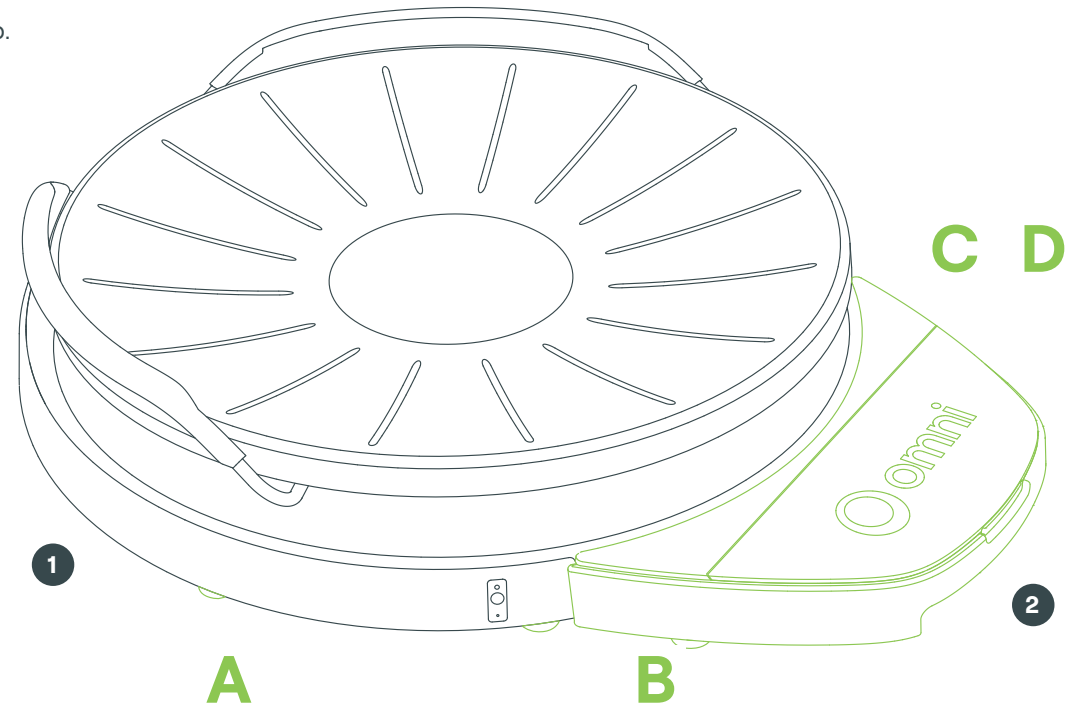
Keep other people and pets away while Omni One is in use.

6-1. ASSEMBLING THE BASE

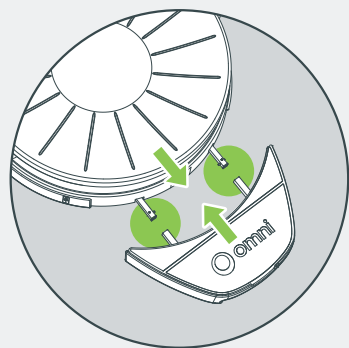
Follow the steps below to assemble Omni One's base and step.



BASE FRAME



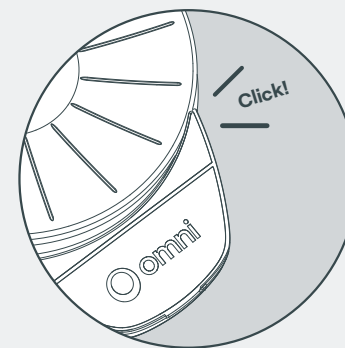
- 1 Base
- 2 Step



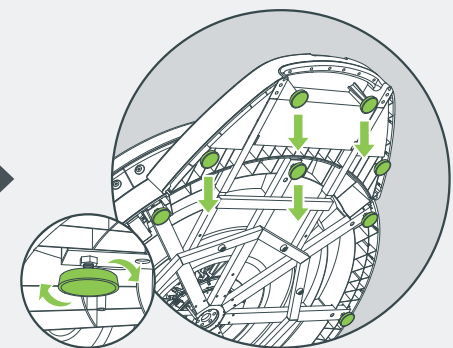
A. Place the step in front of the base and align the connecting tubes on the step and base. Push the step forward and slide the two sets of connecting tubes into each other.



B. Press the spring-loaded lock pins inward with your fingers and continue sliding the step toward the base.



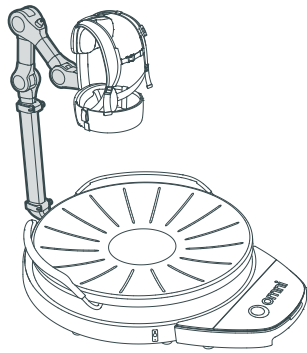
C. Continue to push the step until you hear it lock into place.



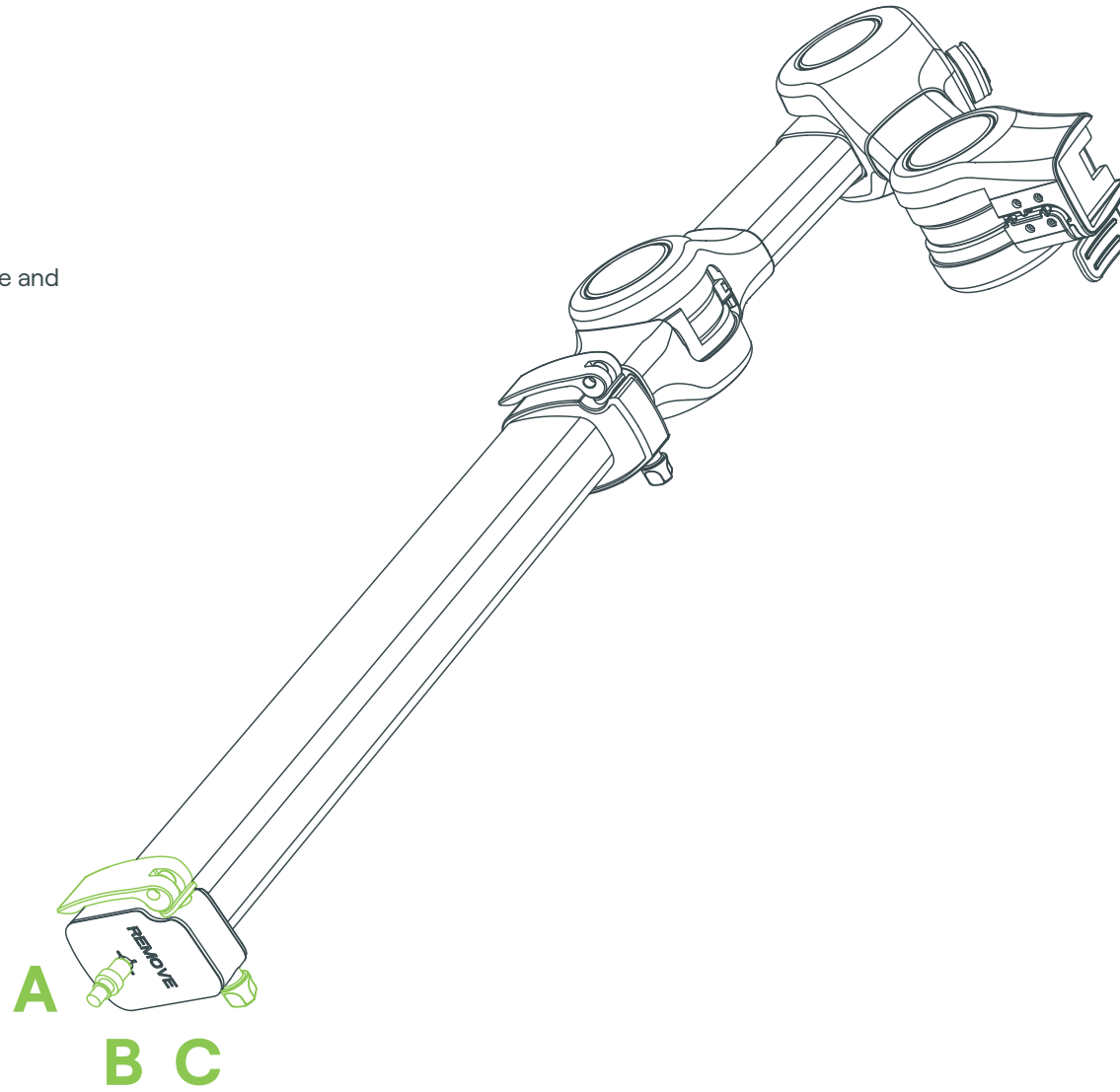
D. Adjust the height of the rubber feet located underneath the base and the step until all rubber feet are firmly touching the floor.

6-2. INSERTING THE ARM

Follow the below steps to connect the arm's electrical cable and insert the arm into the base.

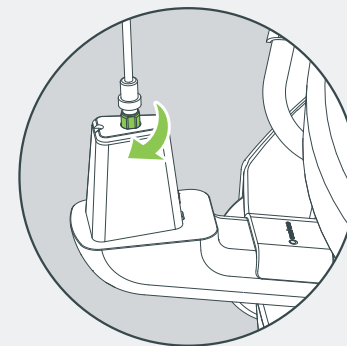
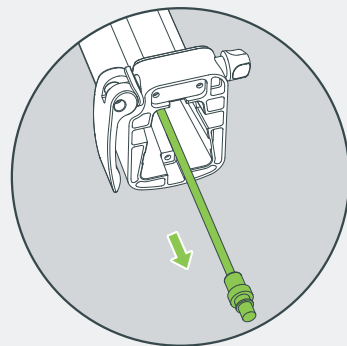
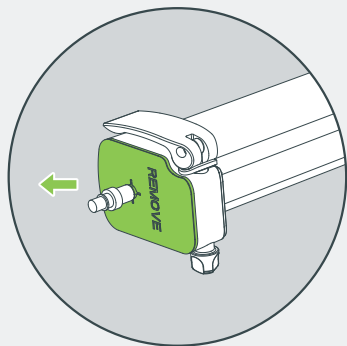


ARM



CAUTION

You must connect the arm cable (step B) before performing step 6-4, plugging in your Omni One. If you connect the arm cable while Omni One is powered on, you might damage sensitive components and void the warranty.



Continue
to the Next Page

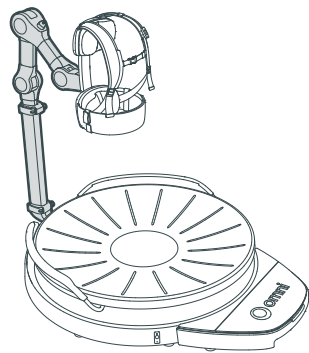
A. Remove the cardboard card from the bottom of the arm to release the inner cable.

B. While resting the arm on your knee, pull out the cable and connect it to the circular connector on the arm hub. Use the white indicators to align the cable and connector.

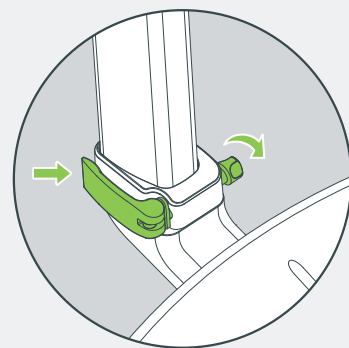
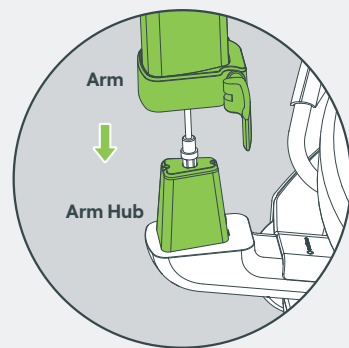
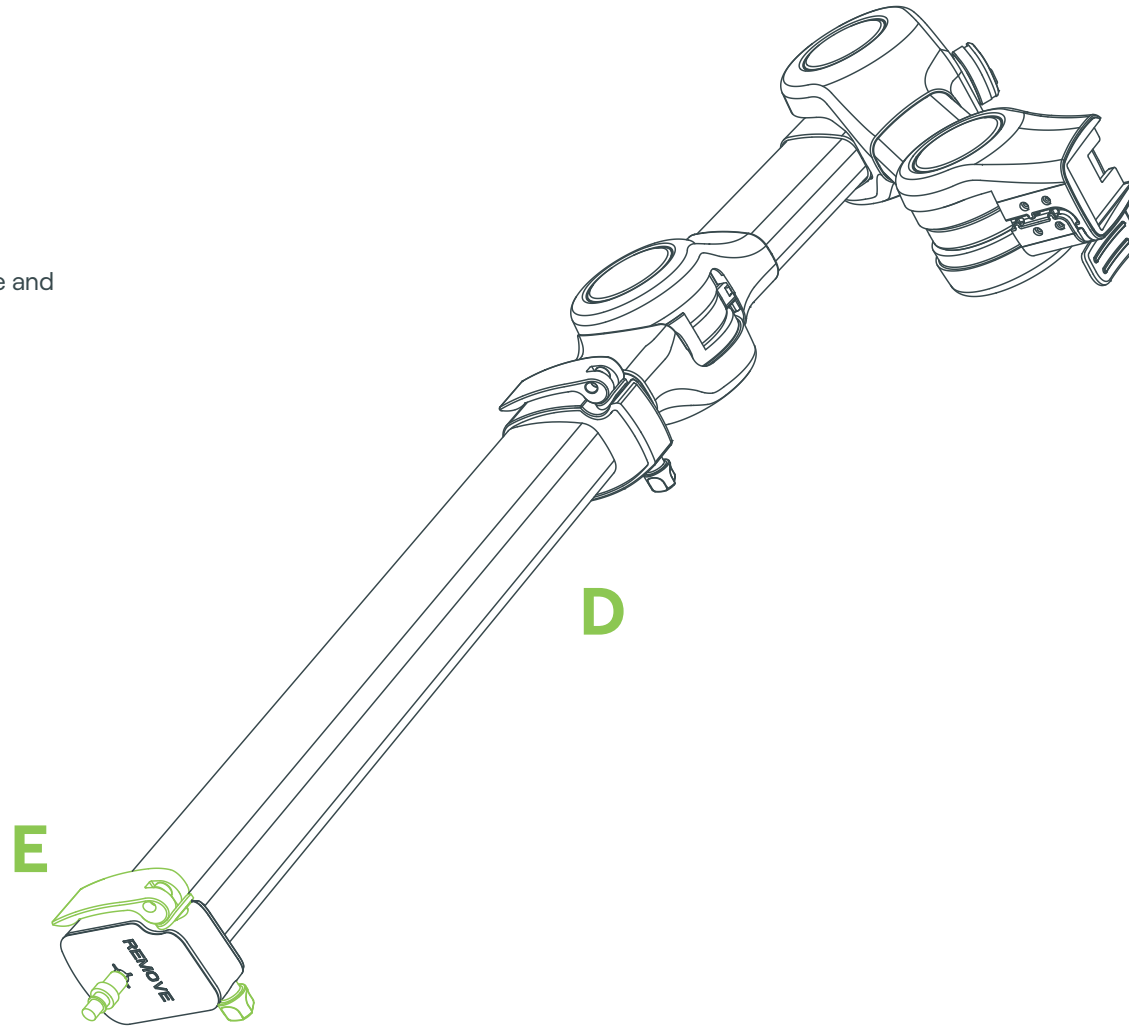
C. Tighten the knurled fitting to secure the cable.

6-2. INSERTING THE ARM

Follow the below steps to connect the arm's electrical cable and insert the arm into the base.



ARM

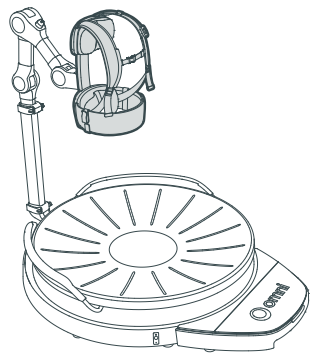


D. Carefully lift up the arm and slowly lower it onto the arm hub.

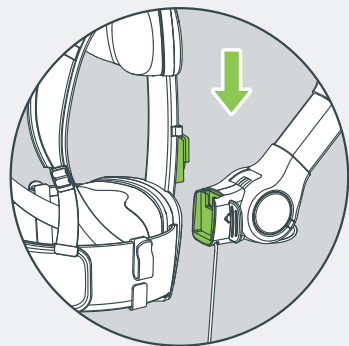
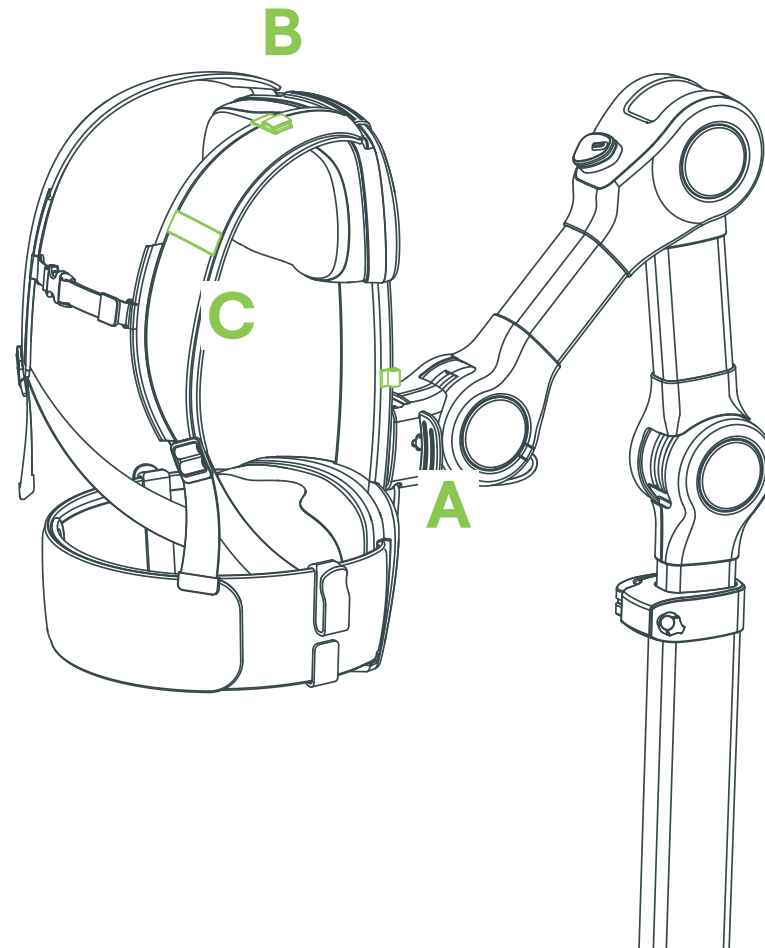
E. Once you have fully lowered the arm onto the arm hub, tighten the clamp as needed by rotating the cam nut. Close the clamp to lock the arm in place.

6-3. ATTACHING THE VEST

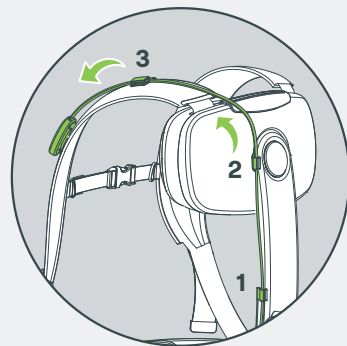
Follow the steps below to attach the Omni One vest to the arm.



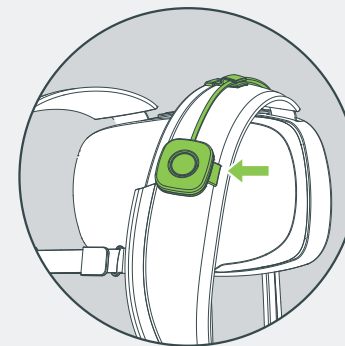
VEST




A. Insert the vest fully in the locking mechanism of the arm. Ensure that the red label is no longer visible.



B. Route the cable from the top of the arm through the three rubber clips on the vest.

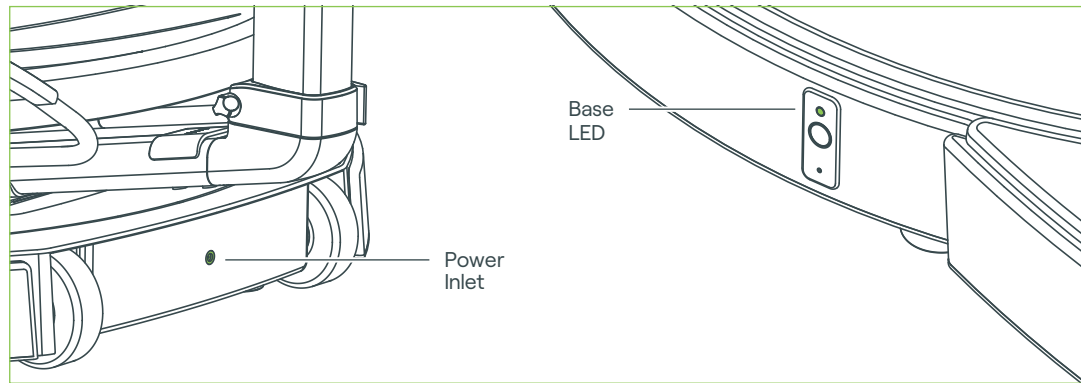


C. Attach the shoulder button by clipping it to the loop on the left shoulder strap.

 **Note:** If the vest is not fully inserted in the arm's locking mechanism, the vest hinge won't rotate, preventing proper use of Omni One.

6-4. PLUGGING IN YOUR OMNI ONE

1. Connect one end of the Omni One power cable to your wall socket, and plug the other end into the power inlet at the back of Omni One's base.



2. Ensure that Omni One is powered on by checking the base LED on the side of the base. Below are the possible states indicated by the base LED:



Steady Green

Omni One is on and connected to a headset or PC.



Slow Flashing Green

Omni One is on but not connected to a headset or PC.



Fast Flashing Green

Omni One is in pairing mode and looking for Foot Trackers.



Fast then Slow Flashing Green

Omni One is on, and a firmware update is in progress (do not turn off Omni One or the headset until this update is complete).



Flashing Red

An error has occurred, please contact help@virtuix.com.

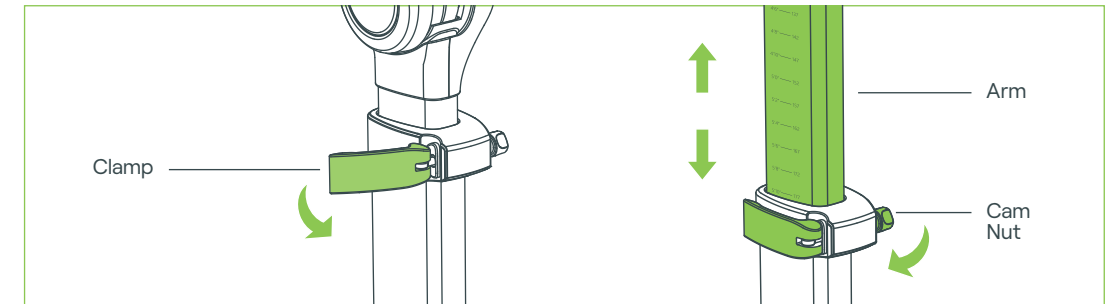
Note: Omni One has no power switch. You can leave your Omni One plugged in all the time.

7-1. PREPARING TO PLAY

Before using Omni One for the first time, follow the below steps to set up the system.

A. Set Your Height

1. Release the top clamp.
2. Raise or lower the arm so that your height measurement is directly above the clamp.
3. Close the top clamp. Tighten the clamp as needed by rotating the cam nut.

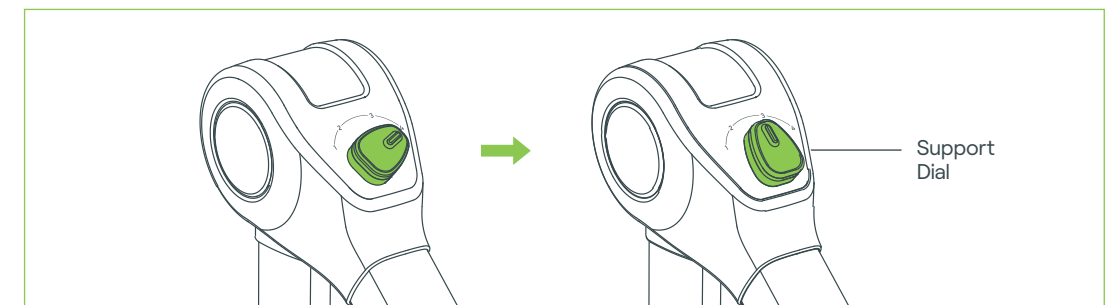


Note: If you feel uncomfortable and insufficiently supported, lower the height setting.

B. Set Your Support Level

To help users remain stable while maximizing freedom of movement, Omni One's arm provides an adjustable level of support.

1. Before using Omni One for the first time, adjust the support level by turning the support dial left or right.



Note: You can turn the Support Dial before using Omni One or while using Omni One. To turn the Support Dial while using Omni One, stand at the center of the base and lean back slightly.

7-2. PREPARING TO PLAY

For new users, we recommend setting the support level according to your body weight, as follows:

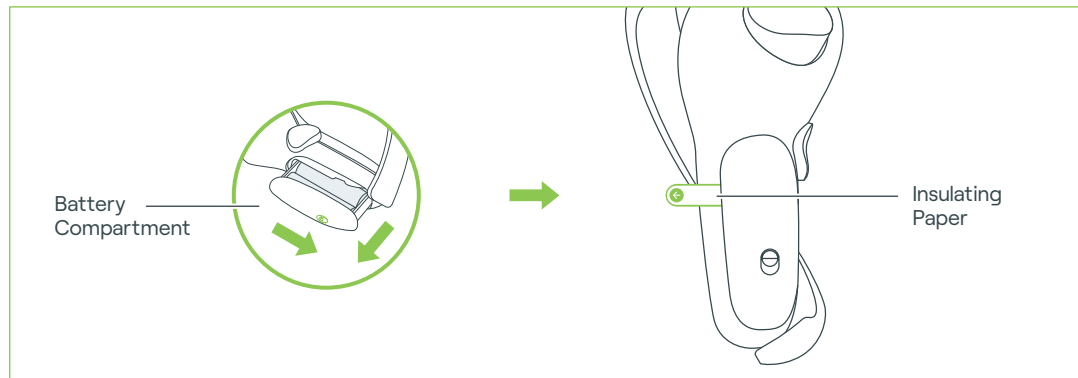
- Less than 150 lbs (70 kg): **Level 1**
- 150 lbs to 180 lbs (70 kg to 80 kg): **Level 2**
- 180 lbs to 210 lbs (80 kg to 95 kg): **Level 3**
- 210 lbs (95 kg) and heavier: **Level 4**

2. As you become more comfortable walking on Omni One, you can try gradually reducing the support level.

C. Prepare Your Headset and Controllers

1. Activate the controller batteries

Open the battery compartment by sliding the button on the side of the controller. Pull the tab to remove the insulating paper, and then close the battery compartment.



2. Power on the controllers

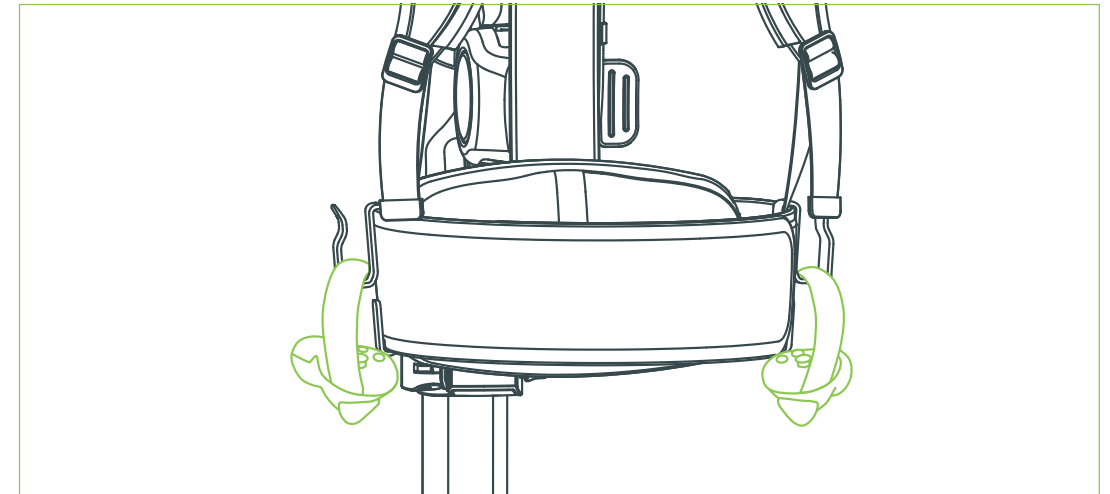
Short-press the HOME button until the status indicator flashes blue.

! CAUTION

Use the controller wrist straps for safety. See p. 39 of this manual for instructions on installing the wrist straps.

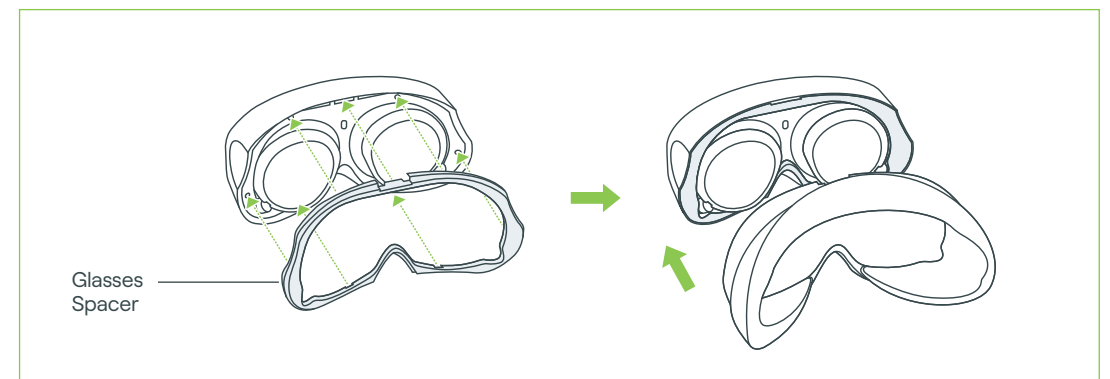
3. Place the controllers in their holsters

The belt has two holsters for holding the controllers, one on each side. Before using Omni One, slide the rim of the controllers into the holsters.



4. Optional: Add the spacer to your headset

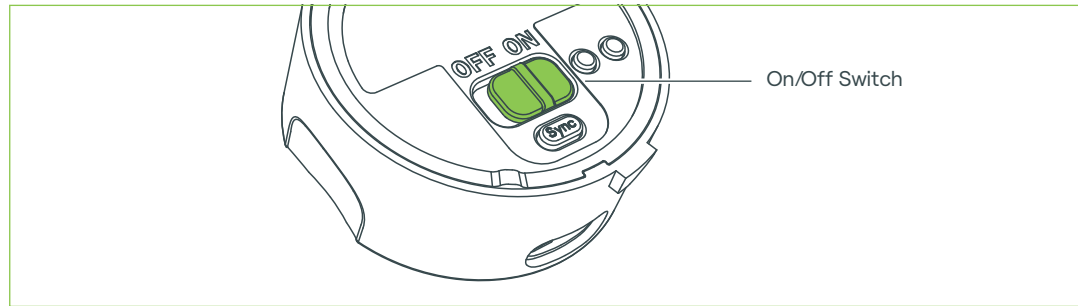
If you plan to wear eyeglasses while using the headset, install the glasses spacer to increase the space between the lenses and your eyes.



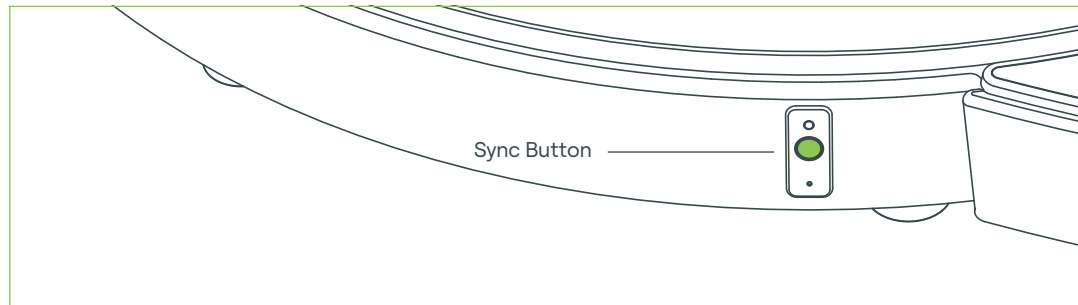
7-3. PREPARING TO PLAY

D. Pair the Foot Trackers

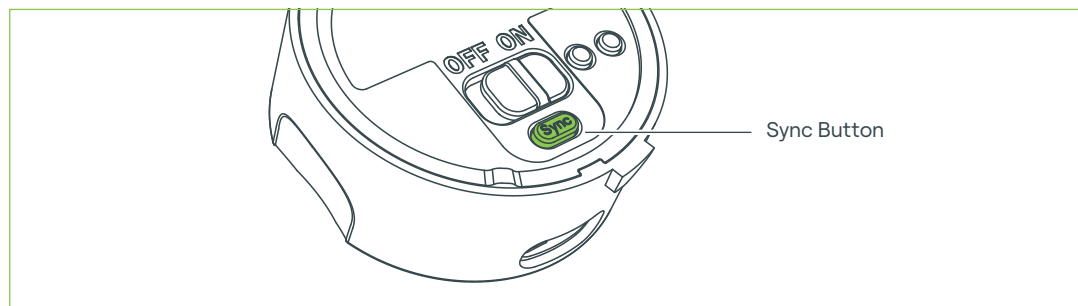
1. Turn on the Foot Trackers using the On/Off Switch on the underside.



2. Press and hold the Sync Button on the side of Omni One's base for more than one second. Omni One will enter pairing mode, and the LED will start to fast-flash green.



3. Press and hold the Sync Button on the underside of each Foot Tracker for more than one second to put them in pairing mode.



Below are the possible states indicated by the Foot Tracker LEDs:



Steady Green

The Foot Tracker is on and paired to Omni One. The Foot Tracker will begin functioning when inserted into the overshoe cradle.



Slow Flashing Green

The Foot Tracker is on but not paired to Omni One.



Fast Flashing Green

The Foot Tracker's Sync Button has been pressed, and it has entered pairing mode.



Fast then Slow Flashing Green

The Foot Tracker is on and a firmware update is in progress (do not turn off the Foot Tracker or Omni One until the update is complete).



Slow Flashing Red

The Foot Tracker's battery is below 20% and needs to be charged.



Steady Red while Connected to the Charger

The Foot Tracker is charging.



Steady Green while Connected to the Charger

The Foot Tracker has finished charging.



Steady Red while not Connected to the Charger

An error has occurred, please contact help@virtuix.com.