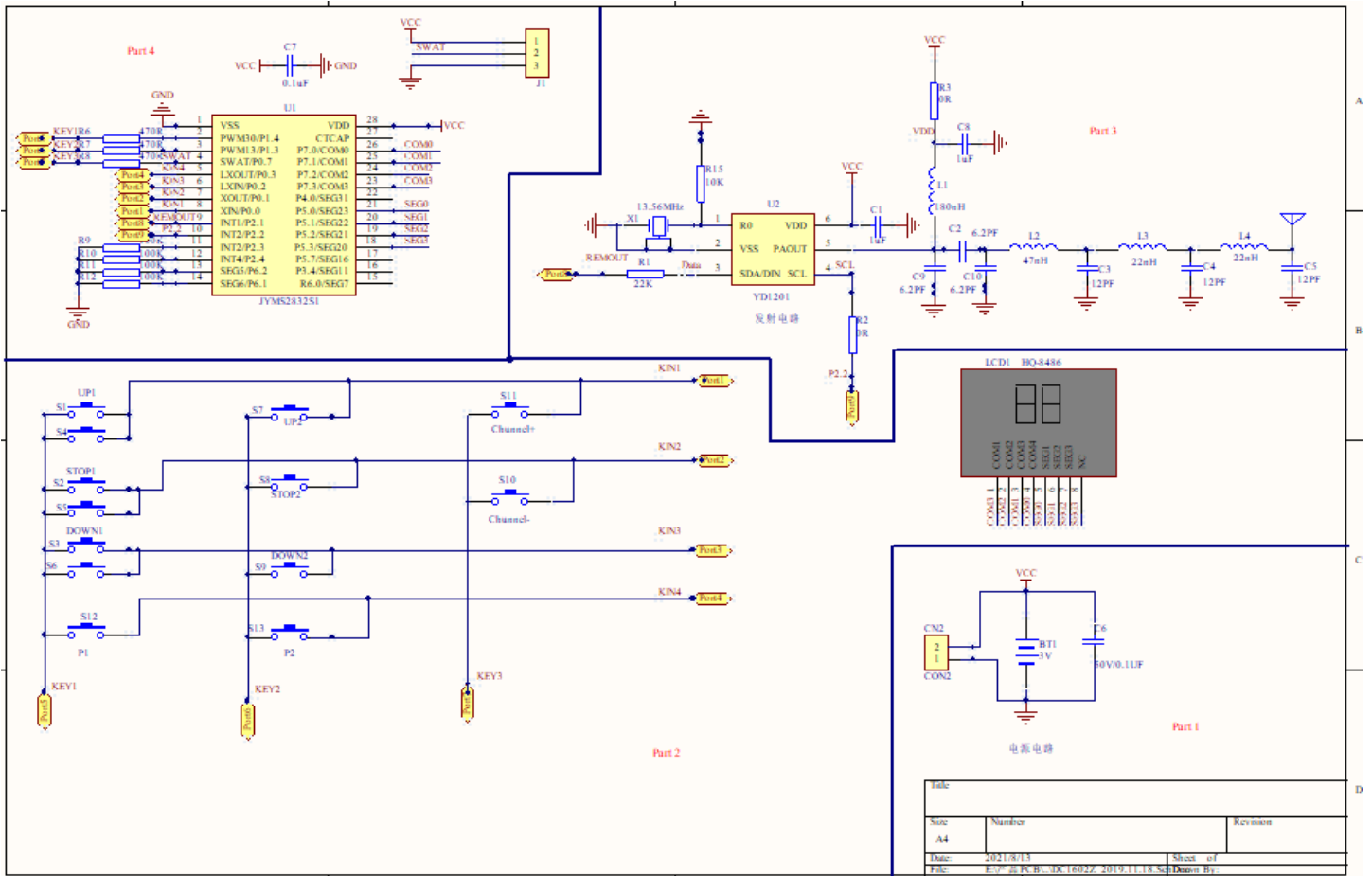


Operation description



- 1.SCH
- Part1: Input Voltage: 3Vdc, Powered for MCU module and RF module;
- Part2: Mechanical button,press the mechanical button to control MCU operation and wireless transmission; Display part, the LCD Displays corresponding functions after the button is pressed;
- Part3: The MCU module control wireless transmission;
- Part4: MCU part, control wireless transmitter, key scan and LCD, etc;

- 2.Data
- 1) Voltage : button cell 3.0V/550mA;
- 2) Antenna: onboard PCB antenna;
- 3) Modulation method: OOK;
- 4) wireless frequency: 433.92MHz;
- 5) Bandwidth: <25KHz;
- 6) Static current: 10uA;
- 7) Spurious emission: ≤-36dBm;
- 8) Antenna gain: -3dBi
The direction of radiation:90°

- 3.Principle
- 1) Mechanical button pressed, MCU work, wireless transmission data, LCD display corresponding functions