

TELEMATIC DATA COLLECTOR TDC-E210, E220 (SSG-E210, E220)



SICK
Sensor Intelligence.



Intended use

Telematic Data Collector: (TDC-E210, E220, SSG-E210, E220), referred to as **TDC-E** below, is gateway unit for SICK sensors and is used to collect and transfer data from various SICK sensors to a Cloud.

TDC-E is used to collect the data from sensors on various interfaces like Ethernet, CAN, RS-485, RS-422, RS-232, 1-Wire, Digital inputs and outputs and Analog inputs.

TDC-E and accessories may only be operating in accordance with their intended use. In the case of any other usage or in the event of any modifications to the device or to the SICK software, any warranty claims against SICK AG shall be null and void.

About this document

This Quickstart document describes the TDC-E for use with SICK sensors. It contains all the information needed in order to use the device.

Before starting to work with TDC-E, read this Quickstart document carefully and make sure that you are familiar with the device. The information on correct and safe operation of the system presented here will help you avoid personal injury or damage to property.

Additional and other applicable documents

For further information on TDC-E and SICK sensors operation, please refer to the relevant operating instructions.

The TDC-E operating instructions describes the following aspects in detail:

- Physical interfaces and pinout of all connectors
- Installation
- Operation
- Basic functions

The latest Quickstart document as well as the operating instructions can be downloaded from the Internet as follows:

Go to <https://sick.com/tdc>

1. You will find all the documents and additional downloads in this section

You can also obtain support from your sales partner.

For your safety

It is essential that TDC-E is transported, stored, installed and used in accordance with its intended use in order to ensure error-free, safe operation.

TDC-E may only be installed, operated, used and maintained by appropriately trained, authorized specialist personnel. Specialist personnel are individuals who possess the technical training, knowledge and experience necessary in order to understand the tasks entrusted to them, evaluate these and identify possible hazards.

Precautions:

- Do not expose the device to extreme temperature or humidity.
- Do not use or store the device in dusty or dirty areas.
- The antennas shouldn't come in contact with cables, metal objects, insulation or brackets.
- Do not expose the device to water, rain, splashing water or spilled drinks. It is not waterproof.
- Do not spray anything on and inside the device.
- Dropping, knocking, violently shaking and any rough handling may damage the device.
- Do not transport or store flammable gas, liquid or explosives in the vehicle compartment where the device is installed.
- Before using the device in a vehicle that transports liquefied petroleum gas (such as propane or butane) ensure that the vehicle complies with valid fire and safety regulations of state where the vehicle is used.
- In case of malfunction, contact the authorized service center.

CAUTION

To prevent the risk of electric shock, disconnect power supply from TDC-E when opening the housing for SIM card replacement/installation (if replacement/installation is needed). Other than that, TDC-E housing does not contain any user-serviceable parts!

Installation and commissioning

Scope of delivery

The following components and accessories are supplied with TDC-E:

- Connection cables:
 - WireSet – TDC-E PWR power cable
- LTE antenna
- GPS antenna
- WLAN+WPAN antenna
- Quickstart document

Step 1: Mounting the TDC-E

Device can be mounted on any sufficiently stable support. To do this, use the mounting holes on the housing of the device.

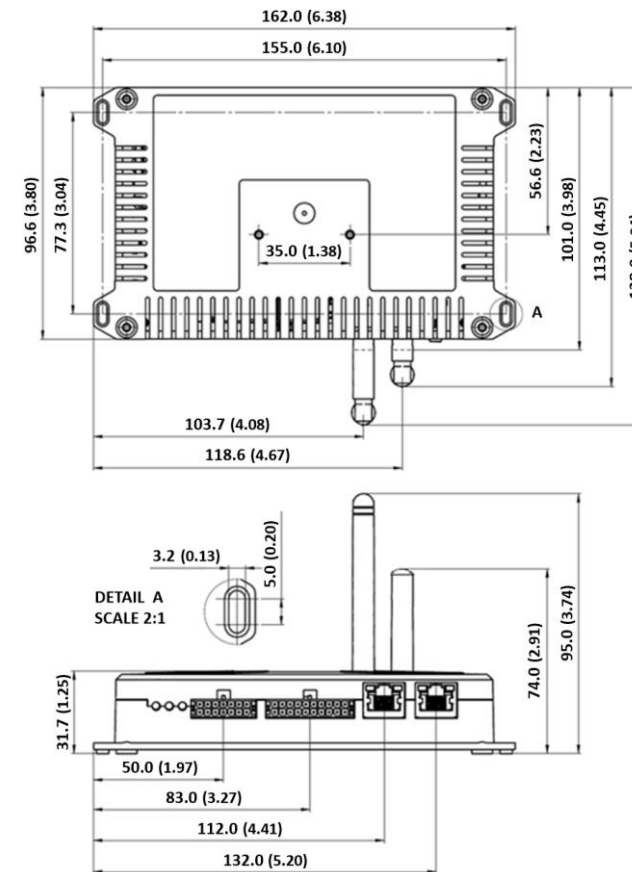


Figure 1: TDC-E, dimensions and mounting holes, (all dimensions in millimeters (inches))

Step 2: Connecting sensors to the TDC-E

Direct connection

Connect the sensor communication interface to the appropriate connection terminal on the TDC-E device. Use the cables provided with the sensor or additional extension cables if needed.

Step 3: Installing the power supply

- **The power supply (SELV limited, with exact voltage rating) may only be installed by a qualified electrician.**
- **When working at electrical installations, it is essential to comply with habitual safety requirements.**
- **If installing in vehicle or on battery, check operating instructions for special installation requirements**

To establish the power supply for TDC-E, use a suitable cable (WireSet–TDC-E PWR or WireSet–TDC-E PWR+AIN/DIO) to connect electrical supply to the device's PWR connector (see Figure 2).

TDC-E does not have its own power switch. To switch off the device, remove the power supply cable from the PWR connector or disconnect the power supply.

TDC-E features three LED's that show the current operating state:

State	Green LED	Yellow LED	Red LED
Device pre-booting	ON	OFF	OFF
Device booting	Fast flashing	OFF	OFF
Device ready	Hearth beat	OFF	OFF
Restoring backup	Fast flashing	Fast flashing	OFF
Device reset (factory, data or system reset)	Fast flashing	Fast flashing	OFF
Software update	Fast flashing	Fast flashing	OFF
Device in error state	OFF	ON	ON
User defined under 'Interfaces' web page	-	ON/OFF/Hearth beat	ON/OFF/Hearth beat

Step 4: Configuring device

To configure device, access TDC-E Device Manager. TDC-E Device Manager is a local website on device which is used for Device Management.

To establish communication with TDC-E, connect TDC-E and PC using ethernet cable. Make sure that PC is in the same subnet as TDC-E.

Use any browser (recommended Google Chrome) to access TDC-E Device Manager, by typing web address to browser's address bar (example for GbE port0 (Eth0): <https://192.168.0.100>).

Create initial user account to manage the device, users or access your services.

For further information refer to the operating instructions.

Maintenance and cleaning

Maintenance

TDC-E housing does not contain any user-serviceable parts.

Cleaning

Clean the housing with a soft, dry or slightly moistened cloth. Do not use any solvents or high-pressure cleaners.

Replacing/installing the SIM card

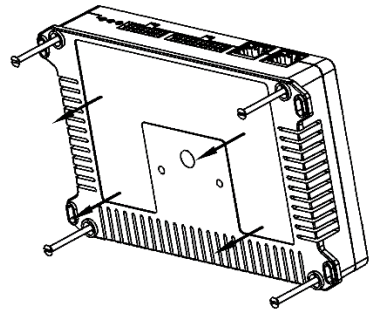
TDC-E device comes without installed SIM card. If there is a need to install (or replace) the SIM card, follow the lower instructions.

CAUTION

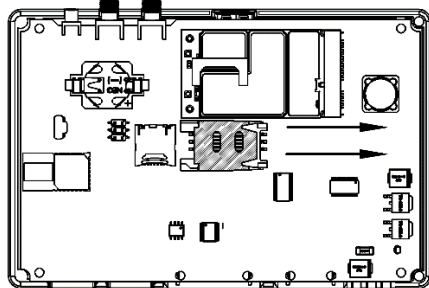
- Always disconnect the device from power supply before replacing/installing the SIM card.
- In all cases, take measures to protect against electrostatic discharge.

Proceed as follows to replace/install the SIM card:

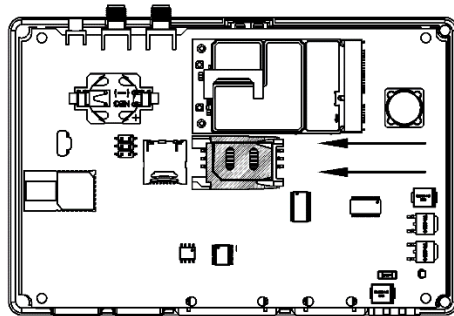
1. Make sure that the device is switched off.
2. Unscrew and remove the plastic cover on the bottom side of the device.



3. Push the plastic cover of the SIM card holder to the side. Orientation is marked on holder with arrow.



4. Lift the SIM plastic holder and replace/install the SIM card facing chip side down.



5. Return the SIM plastic cover and lock it.
6. Return the enclosure plastic cover to the bottom side of the device and secure it with screws.
7. Set up APN in TDC-E Device Manager (refer to operating instructions)

Technical data

Input voltage	9 V – 36 V DC
Max current consumption	2A Max current consumption
Average current consumption	100 mA @ 24 V (without external load)
Protection	Overcurrent, overvoltage and ESD protection (4kV IEC 61000-4-2)
Fuse	4A (internal)
Operating temperature	-20 °C to +70 °C
Storage temperature	-40 °C to +85 °C
Case material	PA6
Flammability class	UL 94 V-0
Dimensions without antennas (W×H×L)	162.0 x 31.7 x 101.0 mm 6.38 x 1.25 x 3.98 inch
Protection type	IP20 according to DIN EN 60529
Weight without accessories	230g
Mobile network¹⁾	LTE-FDD: 700/800/850/900/1700/1800/1900/2100/2600 LTE-TDD: 1900/2300/2500/2600MHz Data transfer speed up to 150 Mbps (DL)/50Mbps (UL) for LTE FDD
• SIM ³⁾	User replaceable, standard SIM card size (2FF)
• Antenna	No cable allowed between antenna and connector
• SMS	Text and PDU mode
GPS Receiver type	72-channel u-blox M8 GPS, GLONASS, BeiDou, Galileo Satellite-based augmentation systems L1 C/A: WAAS, EGNOS, MSAS, GAGAN
• Sensitivity	-148dBm (acquisition) -164dBm (tracking)
• Time to first fix	Hot start: 1 s Warm start: 3 s Cold start: 32 s
• Max update rate	10 Hz
• Antenna	Internal and external MCX option Antenna cable is limited to maximum permissible length of <3m
WPAN	Dual-Mode: IEEE 802.15.1
WLAN	IEEE 802.11 b/g/n

¹⁾ Full 4G performance cannot be guaranteed on operating temperature over 60 °C

²⁾ Not available for end user

³⁾ TDC-E device delivered without SIM card

Interfaces

TDC-E	Description
6 x AIN (Analog input) ¹⁾	• Analog measurement of voltage (0 – 36 V) with accuracy of ±0.2% (+30mV) or current (0 – 32 mA), with accuracy of ±1% (+0.1mA) • Virtual digital input capability (fully configurable high and low voltage levels) • Input resistance 27.5 kΩ typical for voltage mode, 100 Ω typical for current mode
6 x DIO (Digital input/output) ²⁾	• Digital input (high level > 3 V) or digital output (500 mA current capability, 1000 mA is maximal load on all outputs combined, high-side switch outputting voltage from device power input), software configurable, overcurrent protected • Impulse/frequency measurement (high level > 3V) • Input resistance: 22 kΩ typical for digital input
2x DOUT (Additional digital output)	• Additional digital output on LP_A/B pins • Max current of 300 mA

2 x DIN (Additional digital input)	• Additional digital input on CQ_A/B pins
2xEthernet	• 2 x RJ45_10/100/1000 Mbit/s
RS-485/RS-422 ¹⁾	• Fully compliant with ANSI TIA/EIA 485-A • ESD protection (± 6kV IEC 1000-4-2) • Selectable baud rate up to 576 kbps
SSI ¹⁾	• SSI master interface • Available if RS-485/RS-422 disabled in software ²⁾ • Minimum clock rate is restricted to 300 kHz while maximum is 1 MHz
RS-232	• True RS-232 (EIA/TIA-232/V.28) level Receive and Transmit data lines • ESD protection ±8 kV (contact discharge) according to IEC 61000-4-2 • Selectable baud rate up to 250 kbps • Cable is limited to maximum permissible length of <3m.
2xCAN bus	• ISO 11898-2 and ISO 11898-5 compliant • ESD protection ±8 kV (contact discharge) according to IEC 61000-4-2 • Selectable baud rate up to 1 Mbps
1-Wire	• 1-Wire interface • 28 V overvoltage protection • ESD protection ±4 kV (contact discharge) according to IEC 61000-4-2 • Cable is limited to maximum permissible length of <3m.
USB	• USB port is used for engineering debug usage only • ESD protection ±8 kV (contact discharge) according to IEC 61000-4-2

¹⁾software configurable

Embedded sensors¹⁾

TDC-E	Description
Accelerometer	• 3 axis • Full scale range: ±2g/±4g/±8g • Resolution: up to 0.244 mg • Report rate: 1.56 Hz to 400 Hz
Magnetometer	• 3 axis • Full scale range: ±12000 mGa • Resolution: up to 1 mGa • Refresh rate: up to 100 Hz
Thermometer	• Resolution: ±0.5 °C • Accuracy: ±0.5 °C from -20 °C to +100 °C ¹⁾ only for diagnostic purpose

Device overview and interfaces

TDC-E-front side

1. LED indicator
2. TDC-E PWR+AIN/DIO connector (14 pin connector)
3. TDC-E COMM connector (20 pin connector)
4. RJ45 GbE port0 (Eth0)
5. RJ45 GbE port1 (Eth1)

TDC-E-back side

6. MCX connector-GPS antenna (only available in TDC-E200XX model)
7. SMA connector-LTE antenna (not available in models without LTE)
8. SMA connector-WLAN+WPAN antenna
9. USB 2.0 connector

Figure 2: TDC-E device overview and interfaces

Port	Default IP address
GbE port0 (Eth0)	192.168.0.100
GbE port1 (Eth1)	by DHCP

Overview of ports/connectors pinout and design

All ports/connectors are described from side of device.

TDC-E PWR+AIN/DIO connector terminals:

Group	Pin	Pin name	Description
PWR	14	VIN	Power supply for device. Power supply range 9V – 36V DC
	7	GND	Ground pin for power supply
DIO	13	DIO_A	Digital input/output - Channel A
	6	DIO_B	Digital input/output - Channel B
	12	DIO_C	Digital input/output - Channel C
	5	DIO_D	Digital input/output - Channel D
	11	DIO_E	Digital input/output - Channel E
	4	DIO_F	Digital input/output - Channel F
AIN	10	AIN_A	Analog input – Channel A
	3	AIN_B	Analog input – Channel B
	9	AIN_C	Analog input – Channel C
	2	AIN_D	Analog input – Channel D
	8	AIN_E	Analog input – Channel E
	1	AIN_F	Analog input – Channel F

TDC-E COMM connector terminals:

Group	Pin	Pin name	Description
Additional DIO	20	LP_A	LP_A pin is used as digital output
	10	CQ_A	CQ_A pin is digital input
Additional DIO	19	LP_B	LP_B pin is used as digital output
	9	CQ_B	CQ_B pin is digital input
GND	18	GND	GND pin
	8	GND	GND pin
+5V DO	17	5V	5V digital output
1-WIRE	7	1W	Data pin for 1-WIRE
RS-232	16	TX	Data transmit output pin for RS-232 protocol
	6	RX	Data receive input pin for RS-232 protocol
	15	CTS	CTS-Clear to send output pin for RS-232 protocol
RS-485/RS-422/SSI ¹⁾	5	RTS	RTS-Request to send input pin for RS-232 protocol
	14	Y/CLK+	Data pin for RS-485/RS-422/SSI
	4	Z/CLK-	Data pin for RS-485/RS-422/SSI
CAN A	13	A/DATA+	Data pin for RS-485/RS-422/SSI
	3	B/DATA-	Data pin for RS-485/RS-422/SSI
CAN A	12	CANH_A	CAN high data pin – Channel A
	2	CANL_A	CAN low data pin – Channel A
CAN B	11	CANH_B	CAN high data pin – Channel B
	1	CANL_B	CAN low data pin – Channel B

¹⁾software configurable/RS-422 available in API

RS-485/RS-422 Pinout

Half duplex mode: Transceiver operates in **transmit and receive** modes using **Y** and **Z** pins.
Full-duplex mode: Transceiver operates in **receive mode** on **A** and **B** pins and **transmit** mode on **Y** and **Z** pins.
 For further information refer to the operating instructions.

TDC-E

TECHNICAL INFORMATION

All rights reserved. Subject to change without notice.

Regulatory Compliance Information

These products may only be operated in countries for which approval has been granted.

No.	Country	Type	Part Number
1	European Union	TDC-E210GC SSG-E210GC TDC-E220GC	6070344 1124771
2	Singapore	TDC-E210GC SSG-E210GC	6070344 1124771
3	Australia	TDC-E210GC TDC-E220GC	6070344
4	United States	TDC-E210AC SSG-E210AC TDC-E220AC	6079357 1127750
5	Canada	TDC-E210AC SSG-E210AC TDC-E220AC	6079357 1127750
6	Taiwan	TDC-E210AC SSG-E210AC	6079357 1127750
7	South Korea	TDC-E210GC	6070344
8	China	TDC-E210GC	6070344

Please observe the country-specific information for operation below.

1 European Union



Simplified EU declaration of conformity

Hereby, SICK AG declares that the radio equipment type TDC-E210GC is in compliance with Directive 2014/53/EU.

The full text of the EU declaration of conformity is available at the following internet address: <https://www.sick.com/tdce210gc>

2 Singapore

Complies with
IMDA Standards
DB107198

RF Exposure Information

The device must have a minimum distance of 20 cm between the source of radiation and your body in order to limit the exposure of the human body to electromagnetic radiation.

3 Australia



ABN 81-006-054-468

4 United States

FCC ID: 2AHDRTDCE210

NOTICE:

This device complies with Part 15. Operation is subject to the following two conditions:

(1) this device may not cause harmful interference, and
(2) this device must accept any interference received, including interference that may cause undesired operation.

NOTE: This equipment has been tested and found to comply with the limits for a Class B digital device, pursuant to Part 15 of the FCC Rules. These limits are designed to provide reasonable protection against harmful interference in a residential installation. This equipment generates, uses and can radiate radio frequency energy and, if not installed and used in accordance with the instructions, may cause harmful interference to radio communications. However, there is no guarantee that interference will not occur in a particular installation. If this equipment does cause harmful interference to radio or television reception, which can be determined by turning the equipment off and on, the user is encouraged to try to correct the interference by one or more of the following measures:

- Reorient or relocate the receiving antenna.
- Increase the separation between the equipment and receiver.
- Connect the equipment into an outlet on a circuit different from that to which the receiver is connected.
- Consult the dealer or an experienced radio/TV technician for help.

NOTICE

Changes or modifications made to this equipment not expressly approved by SICK AG may void the FCC authorization to operate this equipment.

RF Exposure Information

The device has been evaluated to meet general RF exposure requirement. This equipment should be installed and operated with minimum distance 20 cm between the radiator and your body.

5 Canada

Canada compliance statement:

This device complies with Innovation, Science and Economic Development Canada's license-exempt RSS standard(s).

Operation is subject to the condition that this device must not cause harmful interference and must accept any interference, including interference that may cause undesired operation of the device.

L'émetteur/récepteur exempt de licence contenu dans le présent appareil est conforme aux CNR d'Innovation, Sciences et Développement économique Canada applicables aux appareils radio exempts de licence.

L'exploitation est autorisée aux deux conditions suivantes:

- (1) l'appareil ne doit pas produire de brouillage, et
- (2) l'appareil doit accepter tout brouillage radioélectrique subi, même si le brouillage est susceptible d'en compromettre le fonctionnement.

RF Exposure Information

The device complies with ISED radiation exposure limits for an uncontrolled environment. This equipment should be installed and operated with minimum distance 20 cm between the radiator and your body.

Déclaration d'exposition aux radiations

Cet équipement est conforme aux limites d'exposition aux rayonnements ISED établies pour un environnement non contrôlé. Cet équipement doit être installé et utilisé avec un distance minimale de 20 cm entre la source de rayonnement et votre corps.

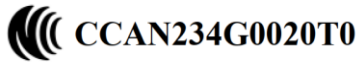
CAN ICES-003B / NMB-003B

The product complies with the requirements of the relevant ACMA Standards made under the Radiocommunications Act 1992 and the Telecommunications Act 1997. These Standards are referenced in notices made under section 182 of the Radiocommunications Act and 407 of the Telecommunications Act.

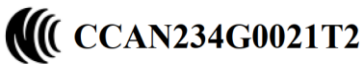
6 Taiwan

減少電磁波影響 · 請妥適使用

TDC-E210AC



SSG-E210AC



SICK Telematic Data Collector TDC-E210/SSG-E210 gateway unit for connecting sensors and wireless data transfer.

「取得審驗證明之低功率射頻器材，非經核准，公司、商號或使用者均不得擅自變更頻率、加大功率或變更原設計之特性及功能。低功率射頻器材之使用不得影響飛航安全及干擾合法通信；經發現有干擾現象時，應立即停用，並改善至無干擾時方得繼續使用。前述合法通信，指依電信管理法規定作業之無線電通信。低功率射頻器材須忍受合法通信或工業、科學及醫療用電波輻射性電機設備之干擾。」

For 終端設備: 減少電磁波影響 · 請妥適使用 通訊介面規格: LTE FDD 700MHz(B28), 900MHz(B8), 1800MHz(B3), 2100MHz(B1), 2600MHz(B7)

裝置的輻射源與您的身體之間必須保持 20 cm 的最小距離，以約束電磁輻射對人體造成的暴露

7 South Korea



TDC-E210GC (6070344)

R-R -si1 -TDC-E210GC

상기 설비는 전파법 제 58 조의 2 제 3 항에 따라 등록된 것으로 확인됩니다. 제조국 크로아티아 EU.

RF 노출 정보
전자기 방사선에 대한 인체 노출을 제한하려면 장치를 방사선원과 인체 사이에 배치해야 합니다.
최소 20cm 의 거리를 유지해야 합니다.
보증이 필요한 경우 infokorea@sick.com 으로 문의하세요.

8 China