

## TELEMATIC DATA COLLECTOR TDC-E210



**SICK**  
Sensor Intelligence.



### Intended use

Telematic Data Collector: (TDC-E210GC, TDC-E210AC), referred to as **TDC-E** below, is gateway unit for SICK sensors and is used to collect and transfer data from various SICK sensors to a Cloud.

TDC-E is used to collect the data from sensors on various interfaces like Ethernet, CAN, RS-485, RS-422, RS-232, 1-Wire, Digital inputs and outputs and Analog inputs.

TDC-E and accessories may only be operating in accordance with their intended use. In the case of any other usage or in the event of any modifications to the device or to the SICK software, any warranty claims against SICK AG shall be null and void.

### About this document

This Quickstart document describes the TDC-E for use with SICK sensors. It contains all the information needed in order to use the device.

Before starting to work with TDC-E, read this Quickstart document carefully and make sure that you are familiar with the device. The information on correct and safe operation of the system presented here will help you avoid personal injury or damage to property.

### Additional and other applicable documents

For further information on TDC-E and SICK sensors operation, please refer to the relevant operating instructions.

The TDC-E operating instructions describes the following aspects in detail:

- Physical interfaces and pinout of all connectors
- Installation
- Operation
- Basic functions

The latest Quickstart document as well as the operating instructions can be downloaded from the Internet as follows:

Go to <https://sick.com/tdc>

1. You will find all the documents and additional downloads in this section

You can also obtain support from your sales partner.

### For your safety

It is essential that TDC-E is transported, stored, installed and used in accordance with its intended use in order to ensure error-free, safe operation.

TDC-E may only be installed, operated, used and maintained by appropriately trained, authorized specialist personnel. Specialist personnel are individuals who possess the technical training, knowledge and experience necessary in order to understand the tasks entrusted to them, evaluate these and identify possible hazards.

#### Precautions:

- Do not expose the device to extreme temperature or humidity.
- Do not use or store the device in dusty or dirty areas.
- The antennas shouldn't come in contact with cables, metal objects, insulation or brackets.
- Do not expose the device to water, rain, splashing water or spilled drinks. It is not waterproof.
- Do not spray anything on and inside the device.
- Dropping, knocking, violently shaking and any rough handling may damage the device.
- Do not transport or store flammable gas, liquid or explosives in the vehicle compartment where the device is installed.
- Before using the device in a vehicle that transports liquefied petroleum gas (such as propane or butane) ensure that the vehicle complies with valid fire and safety regulations of state where the vehicle is used.
- In case of malfunction, contact the authorized service center.

### CAUTION

To prevent the risk of electric shock, disconnect power supply from TDC-E when opening the housing for SIM card replacement/installation (if replacement/installation is needed). Other than that, TDC-E housing does not contain any user-serviceable parts!

### Installation and commissioning

#### Scope of delivery

The following components and accessories are supplied with TDC-E:

- Connection cables:
  - WireSet – TDC-E PWR power cable
- LTE antenna
- GPS antenna
- WLAN+WPAN antenna
- Quickstart document

### Step 1: Mounting the TDC-E

Device can be mounted on any sufficiently stable support. To do this, use the mounting holes on the housing of the device.

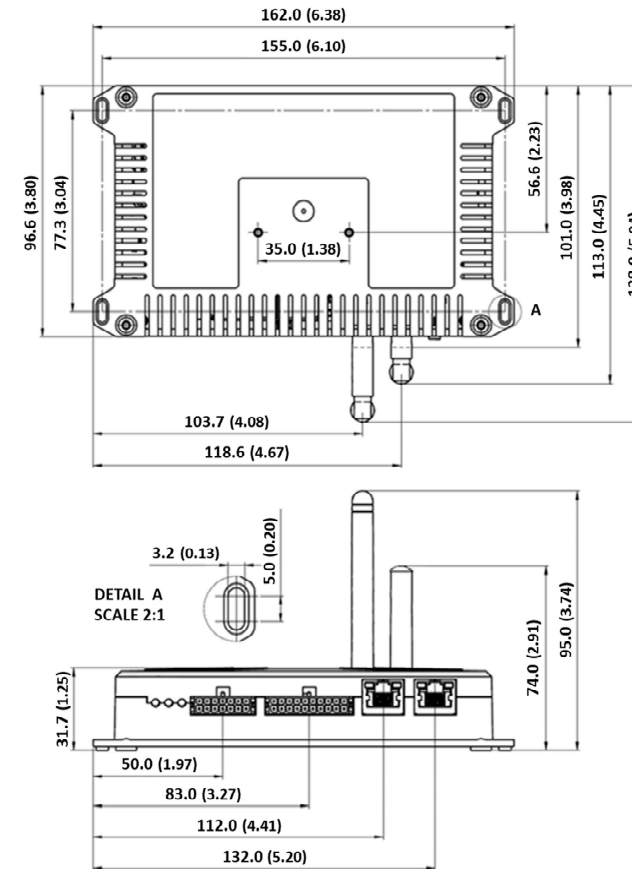


Figure 1: TDC-E, dimensions and mounting holes, (all dimensions in millimeters (inches))

### Step 2: Connecting sensors to the TDC-E

#### Direct connection

Connect the sensor communication interface to the appropriate connection terminal on the TDC-E device. Use the cables provided with the sensor or additional extension cables if needed.

### Step 3: Installing the power supply

- **The power supply (SELV limited, with exact voltage rating) may only be installed by a qualified electrician.**
- **When working at electrical installations, it is essential to comply with habitual safety requirements.**
- **If installing in vehicle or on battery, check operating instructions for special installation requirements**

To establish the power supply for TDC-E, use a suitable cable (WireSet–TDC-E PWR or WireSet–TDC-E PWR+AIN/DIO) to connect electrical supply to the device's PWR connector (see *Figure 2*).

TDC-E does not have its own power switch. To switch off the device, remove the power supply cable from the PWR connector or disconnect the power supply.

TDC-E features three LED's that show the current operating state:

State	Green LED	Yellow LED	Red LED
Device pre-booting	ON	OFF	OFF
Device booting	Fast flashing	OFF	OFF
Device ready	Hearth beat	OFF	OFF
Restoring backup	Fast flashing	Fast flashing	OFF
Device reset (factory, data or system reset)	Fast flashing	Fast flashing	OFF
Software update	Fast flashing	Fast flashing	OFF
Device in error state	OFF	ON	ON
User defined under 'Interfaces' web page	-	ON/OFF/Heart beat	ON/OFF/Heart beat

### Step 4: Configuring device

To configure device, access TDC-E Device Manager. TDC-E Device Manager is a local website on device which is used for Device Management.

To establish communication with TDC-E, connect TDC-E and PC using ethernet cable. Make sure that PC is in the same subnet as TDC-E.

Use any browser (recommended Google Chrome) to access TDC-E Device Manager, by typing web address to browser's address bar (example for GbE port0 (Eth0): <https://192.168.0.100>).

Create initial user account to manage the device, users or access your services.

For further information refer to the operating instructions.

### Maintenance and cleaning

#### Maintenance

TDC-E housing does not contain any user-serviceable parts.

#### Cleaning

Clean the housing with a soft, dry or slightly moistened cloth. Do not use any solvents or high-pressure cleaners.

## Replacing/installing the SIM card

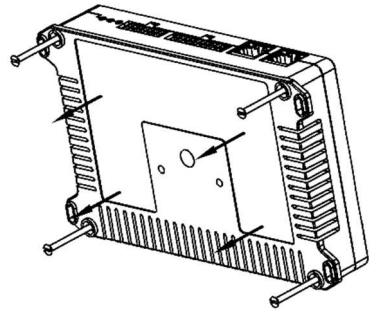
TDC-E device comes without installed SIM card. If there is a need to install (or replace) the SIM card, follow the lower instructions.

### CAUTION

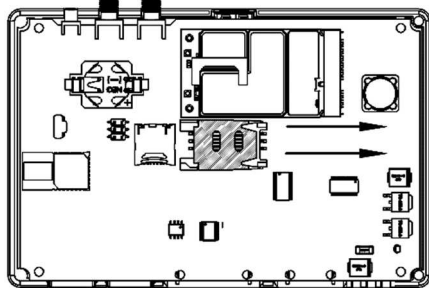
- Always disconnect the device from power supply before replacing/installing the SIM card.
- In all cases, take measures to protect against electrostatic discharge.

Proceed as follows to replace/install the SIM card:

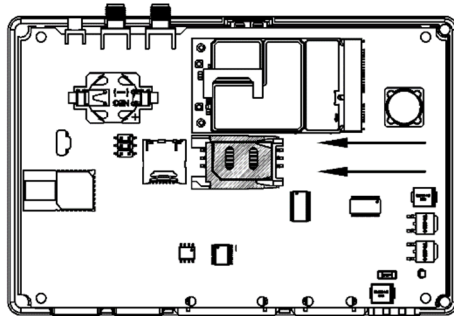
1. Make sure that the device is switched off.
2. Unscrew and remove the plastic cover on the bottom side of the device.



3. Push the plastic cover of the SIM card holder to the side. Orientation is marked on holder with arrow.



4. Lift the SIM plastic holder and replace/install the SIM card facing chip side down.



5. Return the SIM plastic cover and lock it.
6. Return the enclosure plastic cover to the bottom side of the device and secure it with screws.
7. Set up APN in TDC-E Device Manager (refer to operating instructions)

## Technical data

<b>Input voltage</b>	9 V - 36 V DC
<b>Max current consumption</b>	2A Max current consumption
<b>Average current consumption</b>	100 mA @ 24 V (without external load)
<b>Protection</b>	Overcurrent, overvoltage and ESD protection (4kV IEC 61000-4-2)
<b>Fuse</b>	4A (internal)
<b>Operating temperature</b>	-20 °C to +70 °C
<b>Storage temperature</b>	-40 °C to +85 °C
<b>Case material</b>	PA6
<b>Flammability class</b>	UL 94 V-0
<b>Dimensions without antennas (W×H×L)</b>	162.0 x 31.7 x 101.0 mm 6.38 x 1.25 x 3.98 inch
<b>Protection type</b>	IP20 according to DIN EN 60529
<b>Weight without accessories</b>	230g
<b>GC (Global frequency coverage model)<sup>1)</sup></b>	LTE-FDD: 700/800/850/900/1700/1800/1900/2100/2600 LTE-TDD: 1900/2300/2500/2600MHz UMTS: 850/900//1700/1900/2100MHz GSM <sup>2)</sup> : 850/900/1800/1900 MHz Data transfer speed up to 150 Mbps (DL)/50Mbps (UL) for LTE FDD
• SIM <sup>3)</sup>	User replaceable, standard SIM card size (2FF)
• Antenna	No cable allowed between antenna and connector
• SMS	Text and PDU mode
<b>GPS Receiver type</b>	72-channel u-blox M8 GPS, GLONASS, BeiDou, Galileo Satellite-based augmentation systems L1 C/A: WAAS, EGNOS, MSAS, GAGAN
• Sensitivity	-148dBm (acquisition) -164dBm (tracking)
• Time to first fix	Hot start: 1 s Warm start: 3 s Cold start: 32 s
• Max update rate	10 Hz
• Antenna	Internal and external MCX option Antenna cable is limited to maximum permissible length of <3m
<b>WPAN</b>	Dual-Mode: IEEE 802.15.1
<b>WLAN</b>	IEEE 802.11 b/g/n

<sup>1)</sup> Full 4G performance cannot be guaranteed on operating temperature over 60 °C

<sup>2)</sup> Not available for end user

<sup>3)</sup> TDC-E device delivered without SIM card

## Interfaces

TDC-E	Description
6 x AIN (Analog input) <sup>1)</sup>	<ul style="list-style-type: none"> <li>• Analog measurement of voltage (0 - 36 V) with accuracy of ±0.2% (+30mV) or current (0 - 32 mA), with accuracy of ±1% (+0.1mA)</li> <li>• Virtual digital input capability (fully configurable high and low voltage levels)</li> <li>• Input resistance 27.5 kΩ typical for voltage mode, 100 Ω typical for current mode</li> </ul>
6 x DIO (Digital input/output) <sup>1)</sup>	<ul style="list-style-type: none"> <li>• Digital input (high level &gt; 3 V) or digital output (500 mA current capability, 1000 mA is maximal load on all outputs combined, high-side switch outputting voltage from device power input), software configurable, overcurrent protected</li> <li>• Impulse/frequency measurement (high level &gt; 3V)</li> <li>• Input resistance: 22 kΩ typical for digital input</li> </ul>

2x DOUT (Additional digital output)	<ul style="list-style-type: none"> <li>• Additional digital output on LP_A/B pins</li> <li>• Max current of 300 mA</li> </ul>
2 x DIN (Additional digital input)	<ul style="list-style-type: none"> <li>• Additional digital input on CQ_A/B pins</li> </ul>
2xEthernet RS-485/RS-422 <sup>1)</sup>	<ul style="list-style-type: none"> <li>• 2 x RJ45, 10/100/1000 Mbit/s</li> <li>• Fully compliant with ANSI TIA/EIA 485-A</li> <li>• ESD protection (± 6kV IEC 1000-4-2)</li> <li>• Selectable baud rate up to 576 kbps</li> </ul>
SSI <sup>1)</sup>	<ul style="list-style-type: none"> <li>• SSI master interface</li> <li>• Available if RS-485/RS-422 disabled in software<sup>1)</sup></li> <li>• Minimum clock rate is restricted to 300 kHz while maximum is 1 MHz</li> </ul>
RS-232	<ul style="list-style-type: none"> <li>• True RS-232 (EIA/TIA-232/V.28) level Receive and Transmit data lines</li> <li>• ESD protection ±8 kV (contact discharge) according to IEC 61000-4-2</li> <li>• Selectable baud rate up to 250 kbps</li> <li>• Cable is limited to maximum permissible length of &lt;3m.</li> </ul>
2xCAN bus	<ul style="list-style-type: none"> <li>• ISO 11898-2 and ISO 11898-5 compliant</li> <li>• ESD protection ±8 kV (contact discharge) according to IEC 61000-4-2</li> <li>• Selectable baud rate up to 1 Mbps</li> </ul>
1-Wire	<ul style="list-style-type: none"> <li>• 1-Wire interface</li> <li>• 28 V overvoltage protection</li> <li>• ESD protection ±4 kV (contact discharge) according to IEC 61000-4-2</li> <li>• Cable is limited to maximum permissible length of &lt;3m.</li> </ul>
USB	<ul style="list-style-type: none"> <li>• USB 2.0 host</li> <li>• Allowed to be used only for storage, with no cable allowed between connector and USB flash drive.</li> <li>• ESD protection ±8 kV (contact discharge) according to IEC 61000-4-2</li> </ul>

<sup>1)</sup>software configurable

## Embedded sensors<sup>1)</sup>

TDC-E	Description
Accelerometer	<ul style="list-style-type: none"> <li>• 3 axis</li> <li>• Full scale range: ±2g/±4g/±8g</li> <li>• Resolution: up to 0.244 mg</li> <li>• Report rate: 1.56 Hz to 400 Hz</li> </ul>
Magnetometer	<ul style="list-style-type: none"> <li>• 3 axis</li> <li>• Full scale range: ±12000 mGa</li> <li>• Resolution: up to 1 mGa</li> <li>• Refresh rate: up to 100 Hz</li> </ul>
Thermometer	<ul style="list-style-type: none"> <li>• Resolution: ±0.5 °C</li> <li>• Accuracy: ±0.5 °C from -20 °C to +100 °C</li> </ul>

<sup>1)</sup>only for diagnostic purpose

## Device overview and interfaces

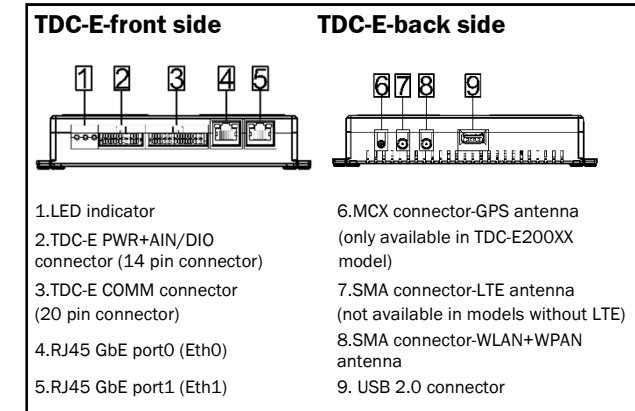


Figure 2: TDC-E device overview and interfaces

Port	Default IP address
GbE port0 (Eth0)	192.168.0.100
GbE port1 (Eth1)	by DHCP

## Overview of ports/connectors pinout and design

All ports/connectors are described from side of device.

### TDC-E PWR+AIN/DIO connector terminals:

Group	Pin	Pin name	Description
PWR	14	VIN	Power supply for device. Power supply range 9V - 36V DC
	7	GND	Ground pin for power supply
DIO	13	DIO_A	Digital input/output - Channel A
	6	DIO_B	Digital input/output - Channel B
	12	DIO_C	Digital input/output - Channel C
	5	DIO_D	Digital input/output - Channel D
	11	DIO_E	Digital input/output - Channel E
	4	DIO_F	Digital input/output - Channel F
AIN	10	AIN_A	Analog input - Channel A
	3	AIN_B	Analog input - Channel B
	9	AIN_C	Analog input - Channel C
	2	AIN_D	Analog input - Channel D
	8	AIN_E	Analog input - Channel E
	1	AIN_F	Analog input - Channel F

### TDC-E COMM connector terminals:

Group	Pin	Pin name	Description
Additional DIO	20	LP_A	LP_A pin is used as digital output
	10	CQ_A	CQ_A pin is digital input
Additional DIO	19	LP_B	LP_B pin is used as digital output
	9	CQ_B	CQ_B pin is digital input
GND	18	GND	GND pin
	8	GND	GND pin
+5V DO	17	5V	5V digital output
1-WIRE	7	1W	Data pin for 1-WIRE
RS-232	16	TX	Data transmit output pin for RS-232 protocol
	6	RX	Data receive input pin for RS-232 protocol
	15	CTS	CTS-Clear to send output pin for RS-232 protocol
	5	RTS	RTS-Request to send input pin for RS-232 protocol
RS-485/RS-422/SSI <sup>1)</sup>	14	Y/CLK+	Data pin for RS-485/RS-422/SSI
	4	Z/CLK-	Data pin for RS-485/RS-422/SSI
	13	A/DATA+	Data pin for RS-485/RS-422/SSI
CAN A	3	B/DATA-	Data pin for RS-485/RS-422/SSI
	12	CANH_A	CAN high data pin - Channel A
CAN B	2	CANL_A	CAN low data pin - Channel A
	11	CANH_B	CAN high data pin - Channel B
CAN B	1	CANL_B	CAN low data pin - Channel B

<sup>1)</sup>software configurable/RS-422 available in API

### RS-485/RS-422 Pinout

**Half duplex mode:** Transceiver operates in **transmit and receive** modes using **Y** and **Z** pins.  
**Full-duplex mode:** Transceiver operates in **receive mode** on **A** and **B** pins and **transmit** mode on **Y** and **Z** pins.  
 For further information refer to the operating instructions.

## TDC-E

### TECHNICAL INFORMATION

All rights reserved. Subject to change without notice.

#### Regulatory Compliance Information

These products may only be operated in countries for which approval has been granted.

No.	Country	Type	Part Number
1	Singapore	TDC-E210GC	6070344
2	United States	TDC-E210AC	6079357
3	Canada	TDC-E210AC	6079357

Please observe the country-specific information for operation below.

### 1 Singapore

Complies with  
IMDA Standards  
DB107198

### 2 United States

FCC ID: 2AHDRTDCE210

#### NOTICE:

This device complies with Part 15. Operation is subject to the following two conditions:

- (1) this device may not cause harmful interference, and
- (2) this device must accept any interference received, including interference that may cause undesired operation.

**NOTE:** This equipment has been tested and found to comply with the limits for a Class B digital device, pursuant to Part 15 of the FCC Rules. These limits are designed to provide reasonable protection against harmful interference in a residential installation. This equipment generates, uses and can radiate radio frequency energy and, if not installed and used in accordance with the instructions, may cause harmful interference to radio communications. However, there is no guarantee that interference will not occur in a particular installation. If this equipment does cause harmful interference to radio or television reception, which can be determined by turning the equipment off and on, the user is encouraged to try to correct the interference by one or more of the following measures:

- Reorient or relocate the receiving antenna.
- Increase the separation between the equipment and receiver.
- Connect the equipment into an outlet on a circuit different from that to which the receiver is connected.
- Consult the dealer or an experienced radio/TV technician for help.

#### NOTICE

Changes or modifications made to this equipment not expressly approved by SICK AG may void the FCC authorization to operate this equipment.

#### RF Exposure Information

The device complies with FCC radiation exposure limits for an uncontrolled environment. This equipment should be installed and operated with minimum distance 20 cm between the radiator and your body.

### 3 Canada

Canada compliance statement:

This device complies with Innovation, Science and Economic Development Canada's licence-exempt RSS standard(s). Operation is subject to the condition that this device must not cause harmful interference and must accept any interference, including interference that may cause undesired operation of the device.

L'émetteur/récepteur exempt de licence contenu dans le présent appareil est conforme aux CNR d'Innovation, Sciences et Développement économique Canada applicables aux appareils radio exempts de licence.

L'exploitation est autorisée aux deux conditions suivantes:

- (1) l'appareil ne doit pas produire de brouillage, et
- (2) l'appareil doit accepter tout brouillage radioélectrique subi, même si le brouillage est susceptible d'en compromettre le fonctionnement.

#### RF Exposure Information

The device complies with ISED radiation exposure limits for an uncontrolled environment. This equipment should be installed and operated with minimum distance 20 cm between the radiator and your body.

#### Déclaration d'exposition aux radiations

Cet équipement est conforme aux limites d'exposition aux rayonnements ISED établies pour un environnement non contrôlé. Cet équipement doit être installé et utilisé avec un distance minimale de 20 cm entre la source de rayonnement et votre corps.

**CAN ICES-003(B) / NMB-003(B)**