

Using LevelMatePRO

1 Position your vehicle

Move your vehicle to the position where you would like to begin leveling and setup.

2 Connect to LevelMatePRO

After you have completed the installation and configuration of your LevelMatePRO unit and app (on the reverse side of this page), you are ready to begin using the product to level your vehicle. To connect to your LevelMatePRO simply start the app within range of your LevelMatePRO unit (approximately 50'). This can be done from inside your vehicle and the Bluetooth connection shouldn't interfere with any other Bluetooth connections you may have active, including hands-free Bluetooth phone systems. If you do have other Bluetooth connections that interfere with the connection to your LevelMatePRO, consult the user manuals of your phone and/or those devices to see if there are device connection restrictions that are causing the connection issue.

3 The Leveling screen

Once the app connects with your unit it will display the Leveling screen as shown in figure 1. The Leveling screen consists of 2 main sections related to leveling your vehicle. The top section shows a front view of a trailer and is used for leveling the vehicle from side-to-side. The bottom section shows a side view of a trailer and is used for leveling the vehicle from front-to-back. Each leveling section contains a measurement distance, a yellow arrow (when not in a level position) and a level indicator as noted in figure 1.

4 Level your vehicle from side-to-side

As noted above, when leveling your vehicle from side-to-side you will be using the top section of the Leveling screen. When the vehicle is not in a level position, there will be a yellow arrow pointing upward on one side of the trailer graphic front view. This indicates which side of the vehicle needs to be raised to achieve a level position from side-to-side. The displayed measurement indicates how much height will be required on the side where the arrow is displayed. Stack your leveling blocks to the height indicated by the displayed measurement and place the blocks in the front or rear of the tire(s) on the side indicated by the arrow. Then move your vehicle so that the tires are on top blocks and check the level indicator displayed under the measurement distance. If you have achieved a level position, the level indicator will be green and the displayed measurement distance will be 0.00 as in figure 2. If the level indicator is red and the displayed measurement distance is not 0.00, then not the measurement distance and move the vehicle tire(s) off the blocks and add or remove blocks equaling the measurement distance that was displayed when the tire(s) were on the blocks. Once again, move the vehicle tire(s) onto the blocks and check the level indicator and measurement distance to insure that the vehicle is now level from side-to-side.

5 Save your hitch position

If the vehicle you are leveling is a trailer, you will need to disconnect it from your tow vehicle before leveling it from front-to-back. Release your hitch from the tow vehicle and extend the jack on the trailer until the hitch is just above the ball or hitch plate (in the case of a 5th wheel hitch). At the bottom left of the Leveling screen, tap on the Save Hitch Position button. This will record the current position of the trailer hitch. This saved position can be used to return the hitch to the current position when you are ready to reattach the trailer to the tow vehicle.

6 Level your vehicle from front-to-back

Once your vehicle is level from side-to-side you are ready to begin leveling from front-to-back. For this step you will be using the bottom section of the Leveling screen. Similar to the side-to-side leveling step, when the vehicle is not in a level position there will be a yellow arrow pointing up or down near the front of the trailer graphic side view as shown in figure 2. This indicates whether the front of the vehicle needs to be lowered (arrow pointing down) or raised (arrow pointing up) to achieve a level position from front-to-back. If the vehicle you are leveling is a trailer, simply raise or lower the tongue of the trailer as indicated by the up or down arrow in the bottom section of the Leveling screen. If the vehicle you are leveling is a drivable vehicle, simply stack your leveling blocks at the height indicated by the displayed measurement distance and drive the vehicle front tires onto the blocks. Level position for the front-to-back will be indicated in the same manner as the side-to-side leveling process. The level indicator will be green and the displayed measurement distance will be 0.00. In the case of a drivable vehicle, if a level position has not been achieved you will need to take note of the current measurement distance displayed, move the vehicle front tires off of the blocks, adjust the block height by the proper amount (as indicated when the front tires were on the blocks previously) and drive the vehicle front tires back on the blocks. As before, check the level indicator and measurement distance to insure that the vehicle is level from front-to-back.

7 Recall your hitch position

If the vehicle you are leveling is a trailer, you can recall the hitch position you saved in step 5 to aid in returning your tongue to the position it was in when you removed it from the tow vehicle hitch. Tap on the Recall Hitch Position button at the lower right of the Leveling screen. The Recall Hitch Position screen will be displayed (figure 3). The Recall Hitch Position screen shows a side view of the trailer, a yellow arrow pointing up or down, and position indicator similar to the level indicators on the Leveling screen. A measurement distance is also displayed which represents the amount of distance the tongue needs to be moved up or down (as indicated by the yellow arrow) to return to the previously saved hitch position. Moving the trailer tongue in the direction indicated by the yellow arrow will cause the displayed measurement distance to be reduced. The tongue will be at the saved hitch position when the displayed distance measurement is 0.00 and the position indicator is green as shown in figure 4.

A Hitch Position Save Date is also displayed at the bottom of the Recall Hitch Position screen. This indicates when the currently save hitch position was saved.

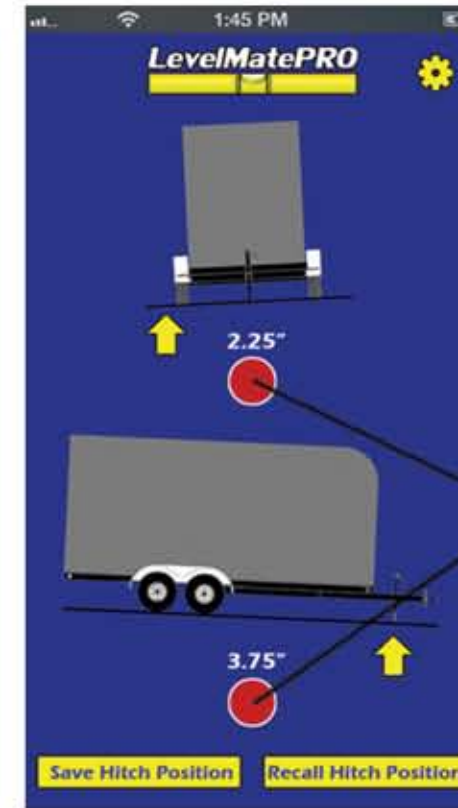


figure 1

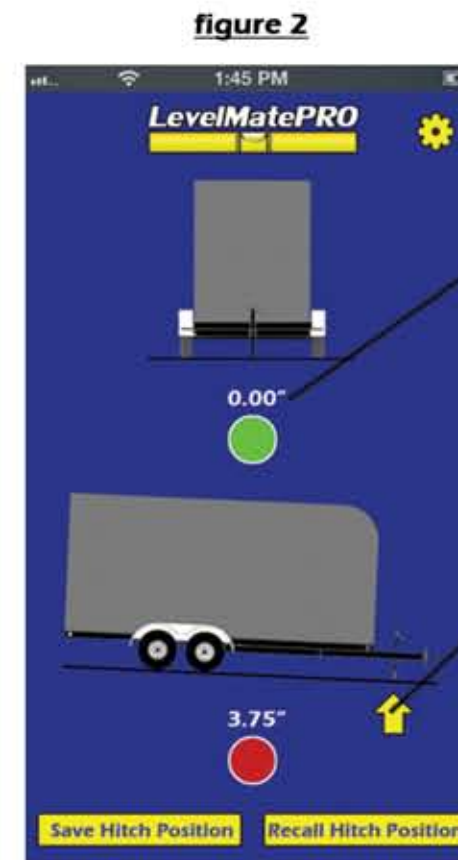


figure 2

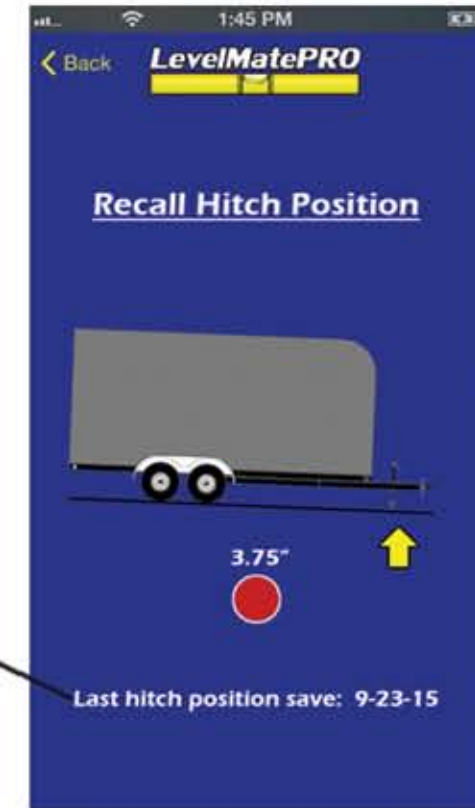


figure 3

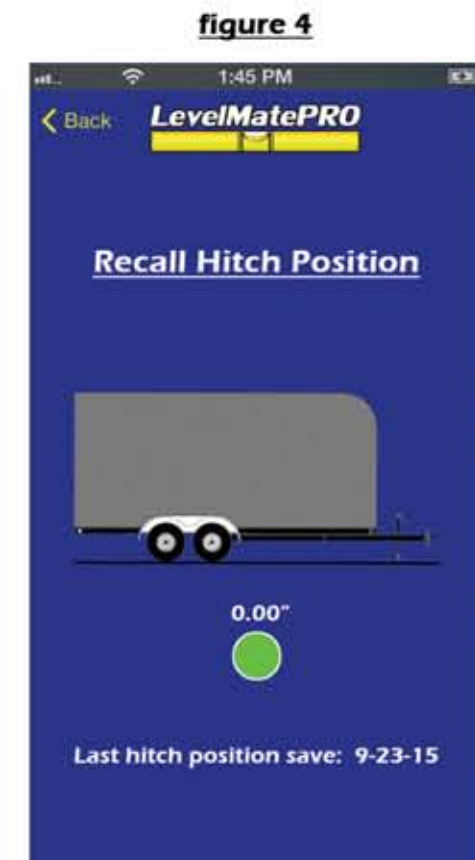


figure 4

Level Indicators

Hitch Position Save Date

Distance Measurement

Directional Arrow