



福州市瀚宇正达电子有限公司

Word Easy Electronics Co.,Ltd.

规格承认书

SPECIFICATION FOR APPROVAL

日期 2021/09/27

Date

编号 21092701

File No

版本 1.0

Revision

客户 星网

CUSTOMER: _____

客户料号 X933H

CUSTOMER NO: _____

品名 Zigbee Antenna L=65mm MHF

PART NAME: _____

供方料号 WE007N.F0107.V01

SUPPLIER NO: _____

送样日期Date: 送样数量Q “TY:

客户确认CUSTOMER APPROVED BY

APPROVAL

CHIEF

SUPERVISOR

供方确认 SUPPLIER SIGNATURE

APPROVAL

CHECK

DESIGN

Hunter

Zhou Hongtao

Liang



WE-RD-F01-A

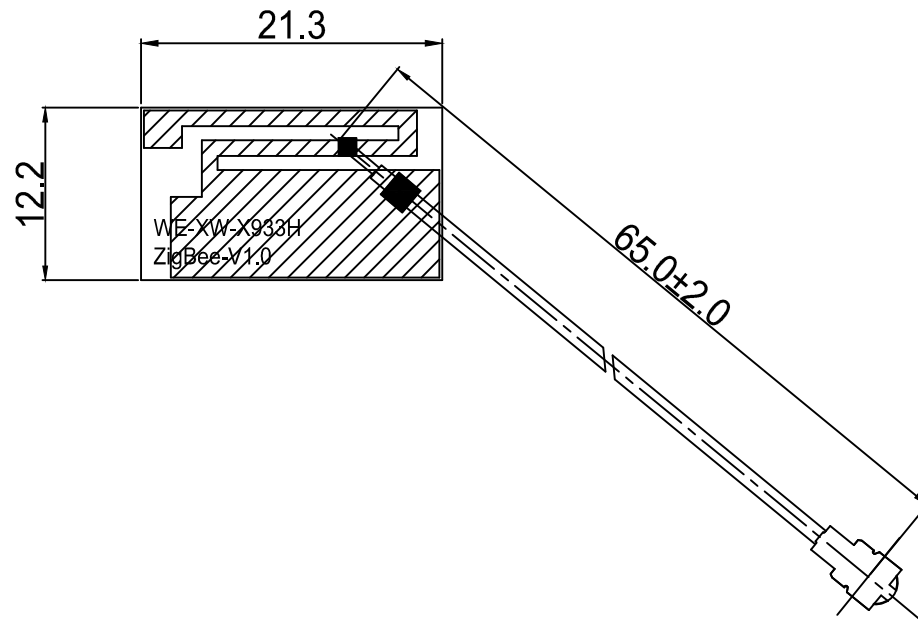


承认书项目表

NO.	内容 (Contents)	页数 (Number of Page)	页码 (Page Code)
1	承认书封面 (Spec Cover)	1	1
2	承认书项目表 (Spec Item)	1	2
3	工程成品图 (Drawing)	1	3
4	天线规格 (Antenna Specification)	1	4
5	S参数测试 (S Parameter)	1	5
6	无源测试 (Passive Test)	1	6
7	样品图片 (Sample Photo)	1	7
8	RoHS报告 (RoHS Test Report)	**	**
9	N/A	N/A	N/A
10	-	-	-
11	-	-	-
12	-	-	-

RoHS
Compatible

REV.	DESCRIPTION	DATE
△	首次发行	2021.09.27




福州市瀚宇正达电子有限公司
 World Easy Electronics Co.,Ltd.

Tel:0591-22628085
 Fax:0591-22627656

PART NAME: Zigbee Antenna L=65mm MHF

PART NO.: WE007N.F0107.V01 DATE: 2021-09-27

APPROVED BY	CHECKED BY	DESIGNED BY	 Tolerance X.X ±0.50 X.XX±0.15 X° ±3°
		周红涛	UNITS: mm SCALE: 1/1 REVISION: A

3	FPCB	21.3*12.2MM	FPCB	FPC0242.V01	1
2	Coaxial Cable	O.D.1.13 Gray	O.D.1.13	CAB0113.V02	1
1	Mini Connector	Au Plated 1代	Cu	MET0XD1.V01	1
NO	PART NAME	DESCRIPTION	Material	Part Number	Q.TY



天线规格

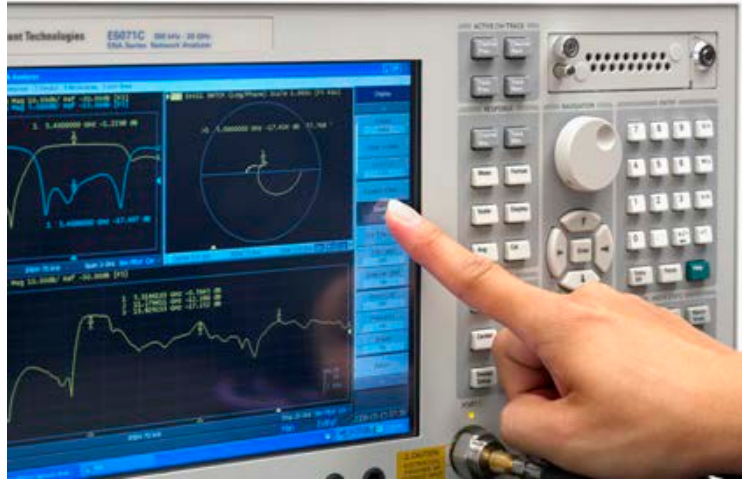
Antenna Specification

Electrical Properties	
Frequency	2400-2500MHz
Impedance	50 Ohm Nominal
V.S.W.R	<1.4
Return Loss	<-15.4dB
Radiation	Omni-directional
Gain (Peak)	3.5dBi
Polarization	Linear
Connector	I-PEX
Physical Properties	
Antenna Material	FPC
Cable Type	O.D.1.13//L=65mm
Operating Temp.	-10 ~ +60 °C
Storage Temp.	-10 ~ +70 °C
Cable Color	Gray

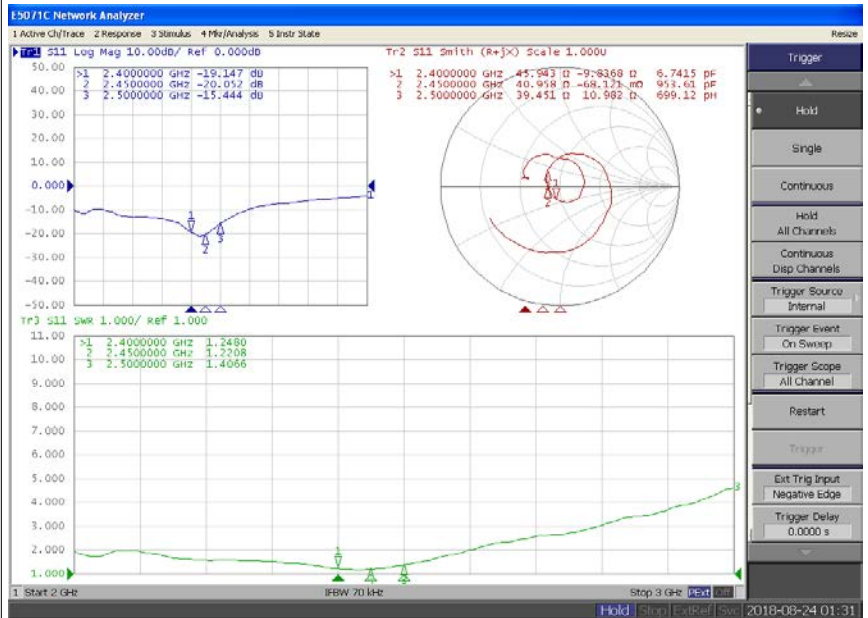


Antenna Performance Test

**Agilent
E5071C**



**S
Parameter
Test //
Zigbee**





Antenna Passive Test

Passive Test For Zigbee

Freq (MHz)	Effi (%)	Effi (dB)	Gain (dBi)
2400	63.1	-2.0	3.4
2410	67.7	-1.7	3.5
2420	66.0	-1.8	3.2
2430	68.1	-1.7	3.1
2440	66.4	-1.8	2.8
2450	67.2	-1.7	2.8
2460	67.2	-1.7	2.7
2470	65.2	-1.9	2.5
2480	66.0	-1.8	2.5
2490	71.0	-1.5	2.8
2500	70.5	-1.5	2.8



Sample Photo

