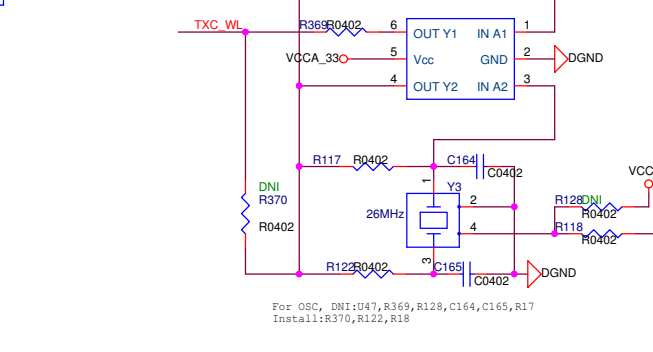
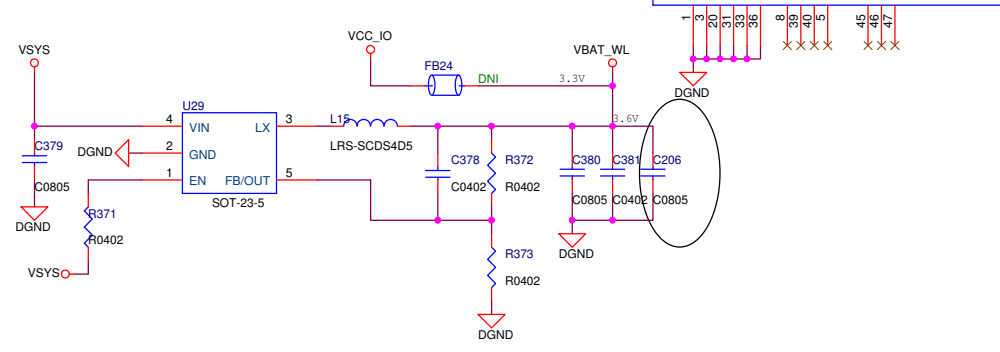
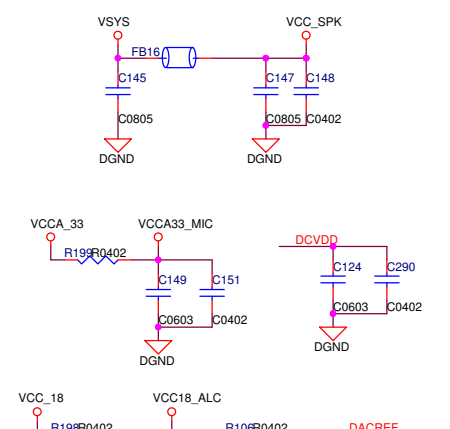
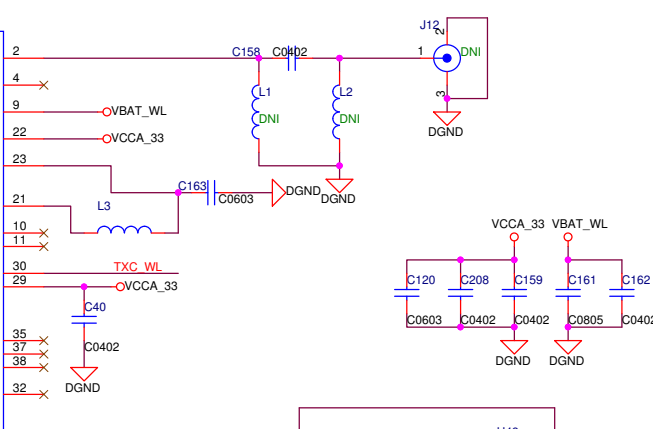
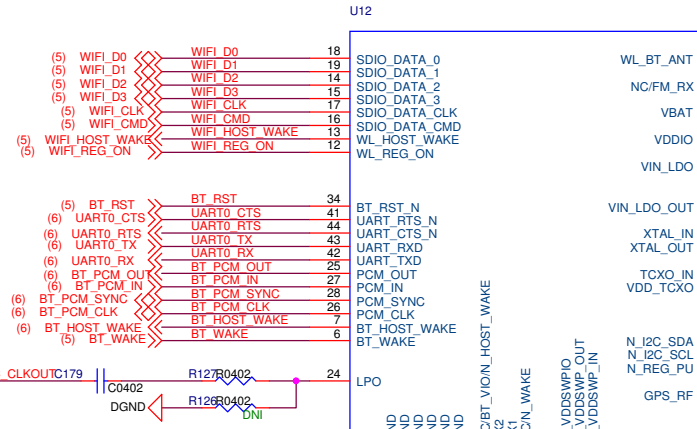
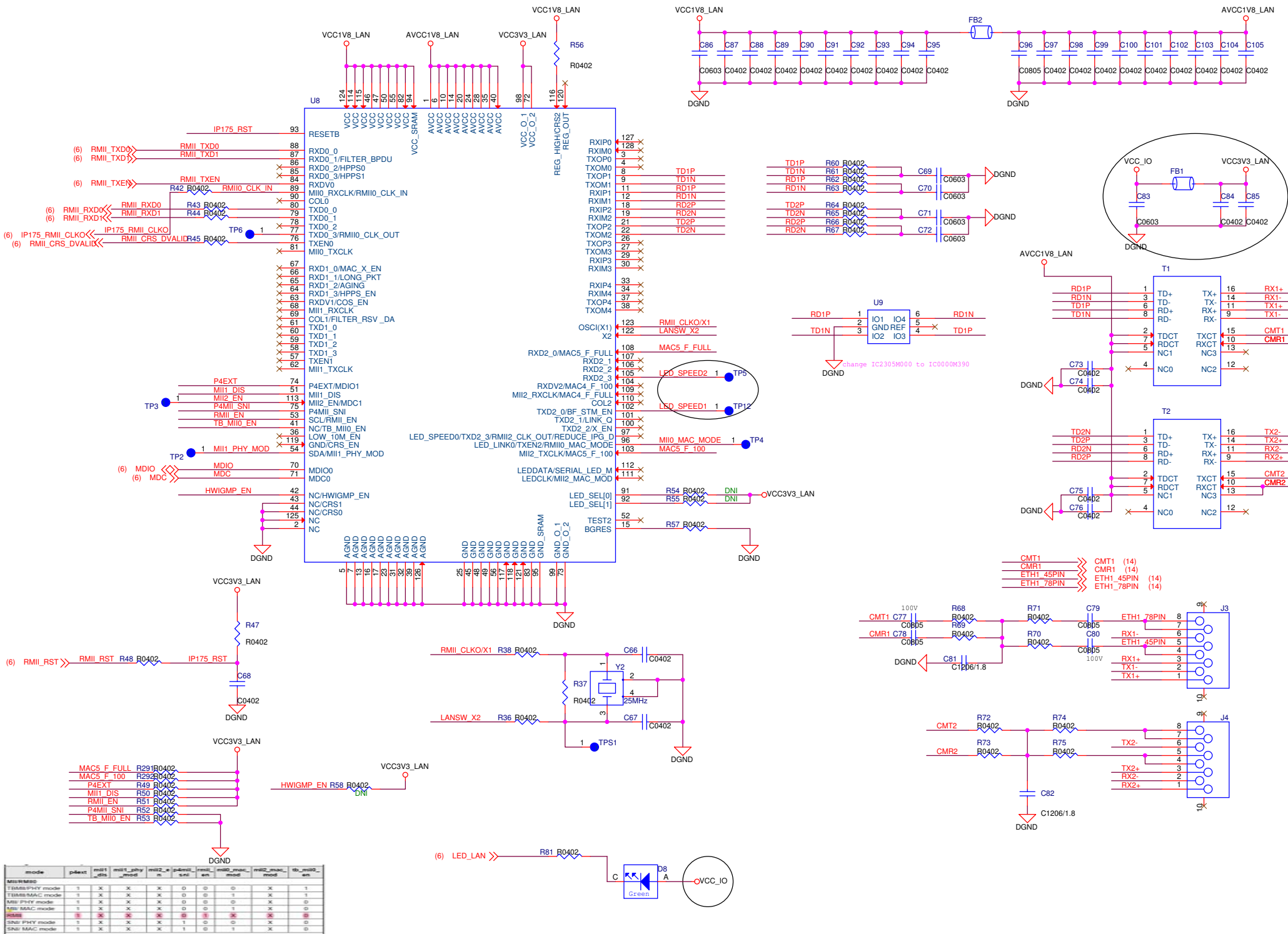


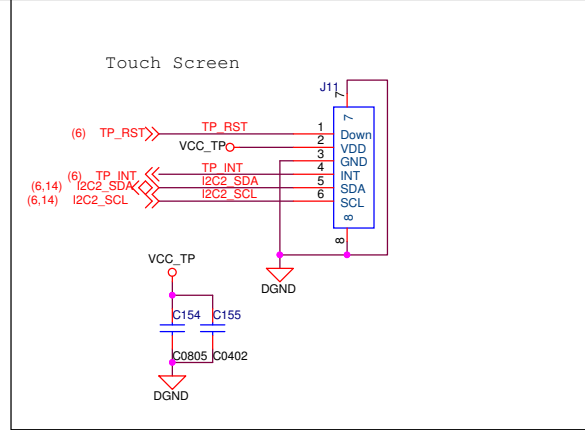
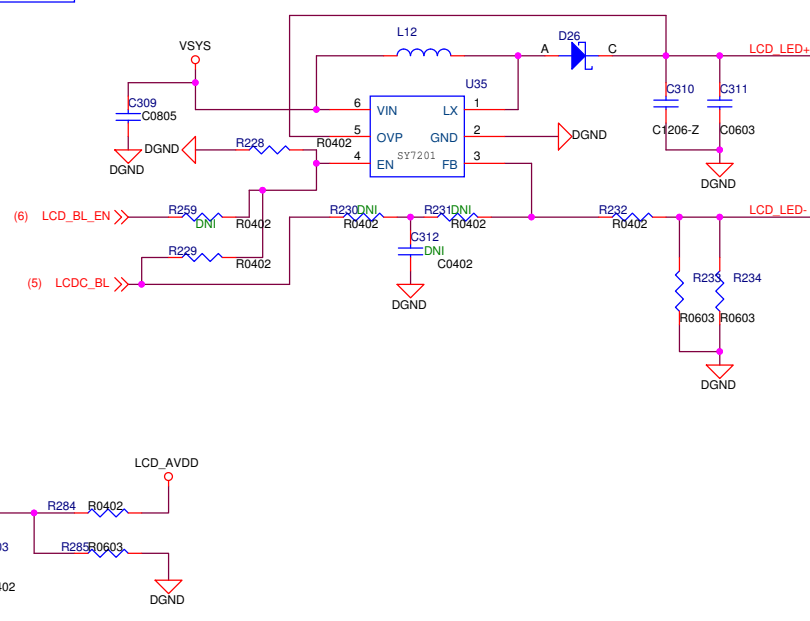
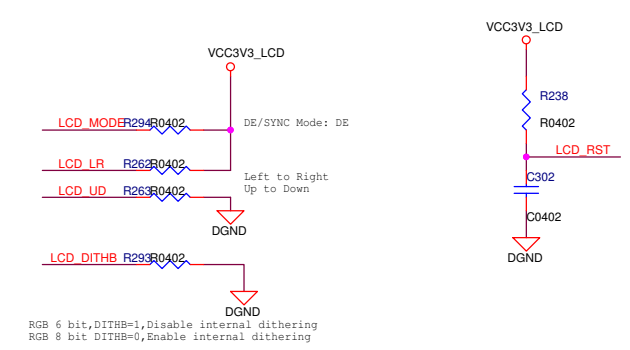
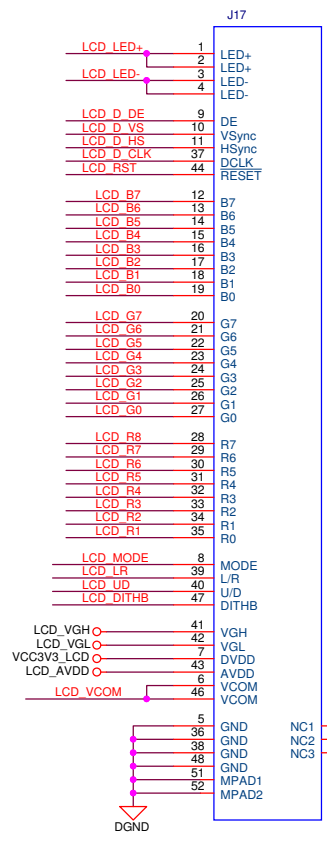
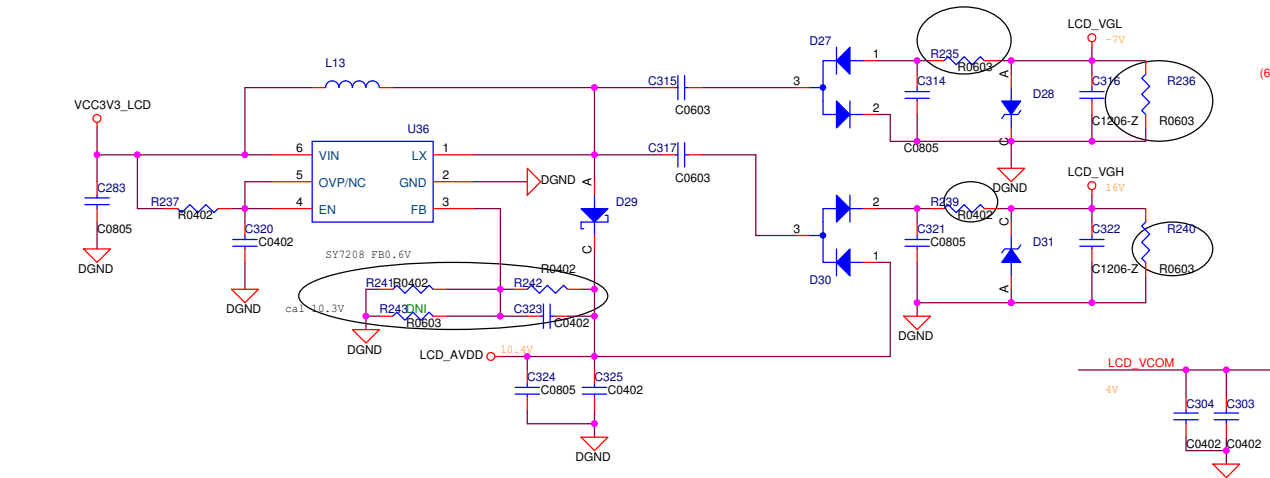
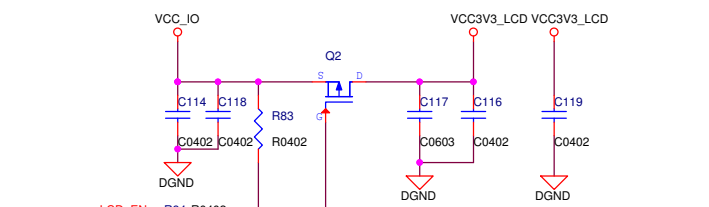
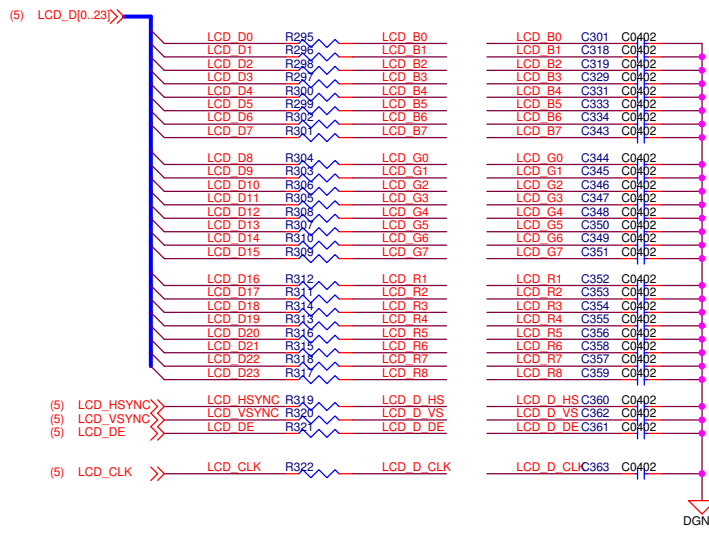
MIC_SW: Switch MIC and GND (LRMG LRGM)
 MIC_SW 0: JACK_3 to MIC
 MIC_SW 1: JACK_4 to MIC

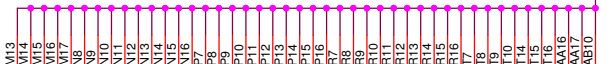
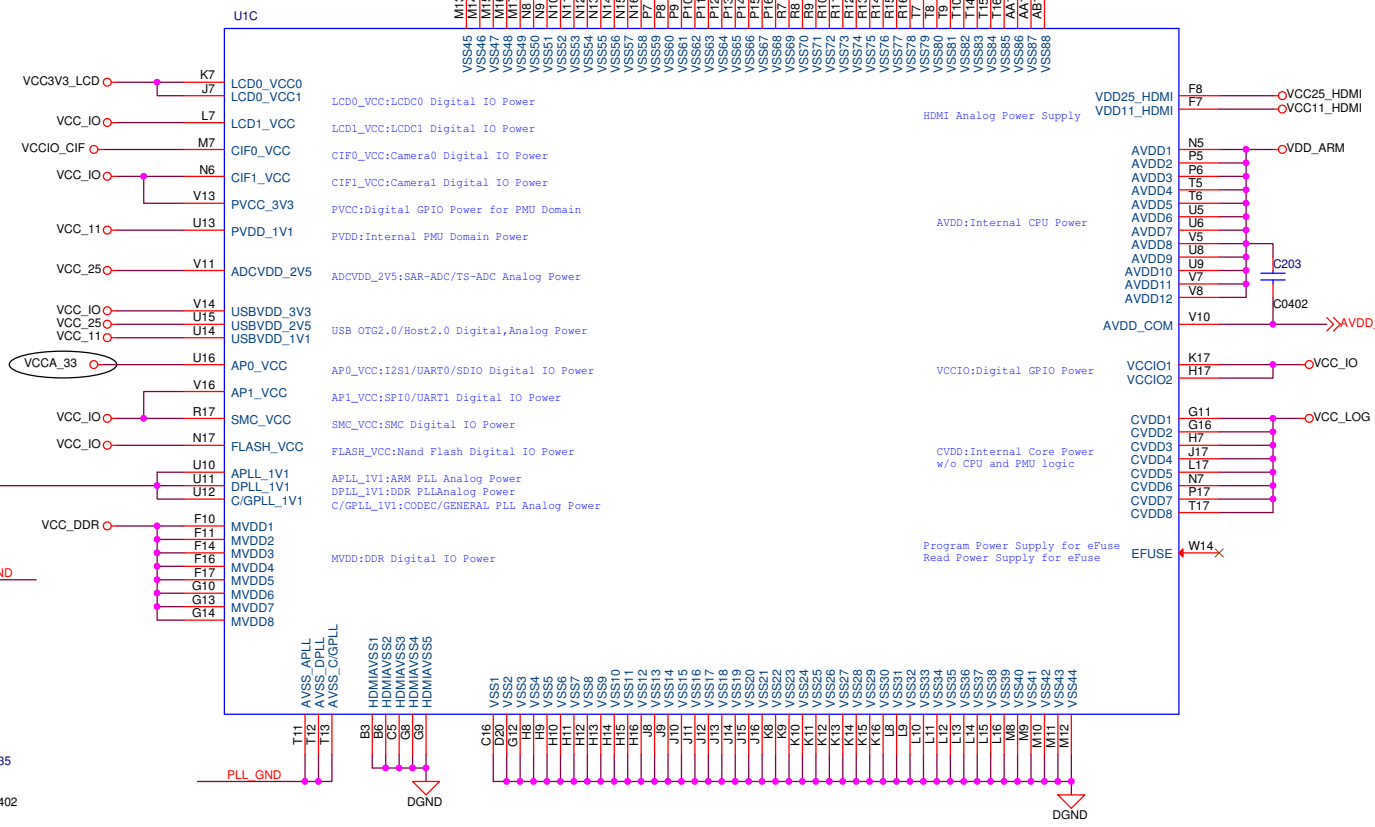
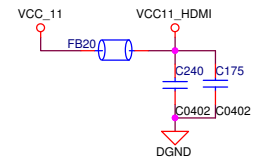
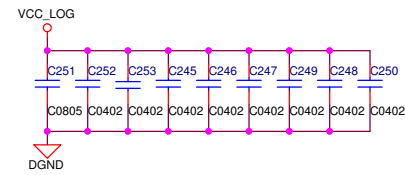
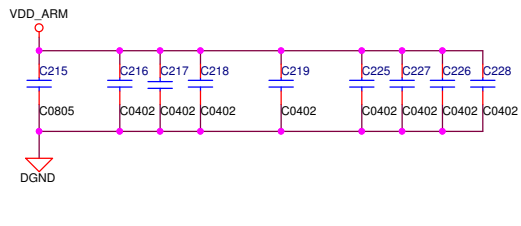
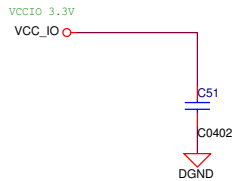
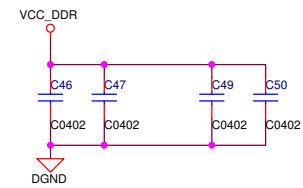
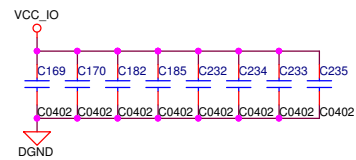
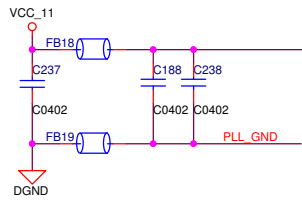
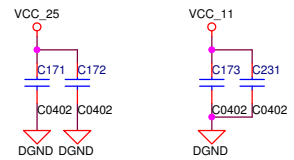
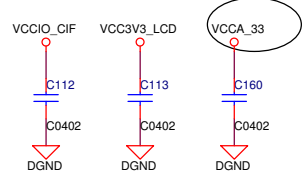
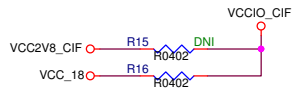


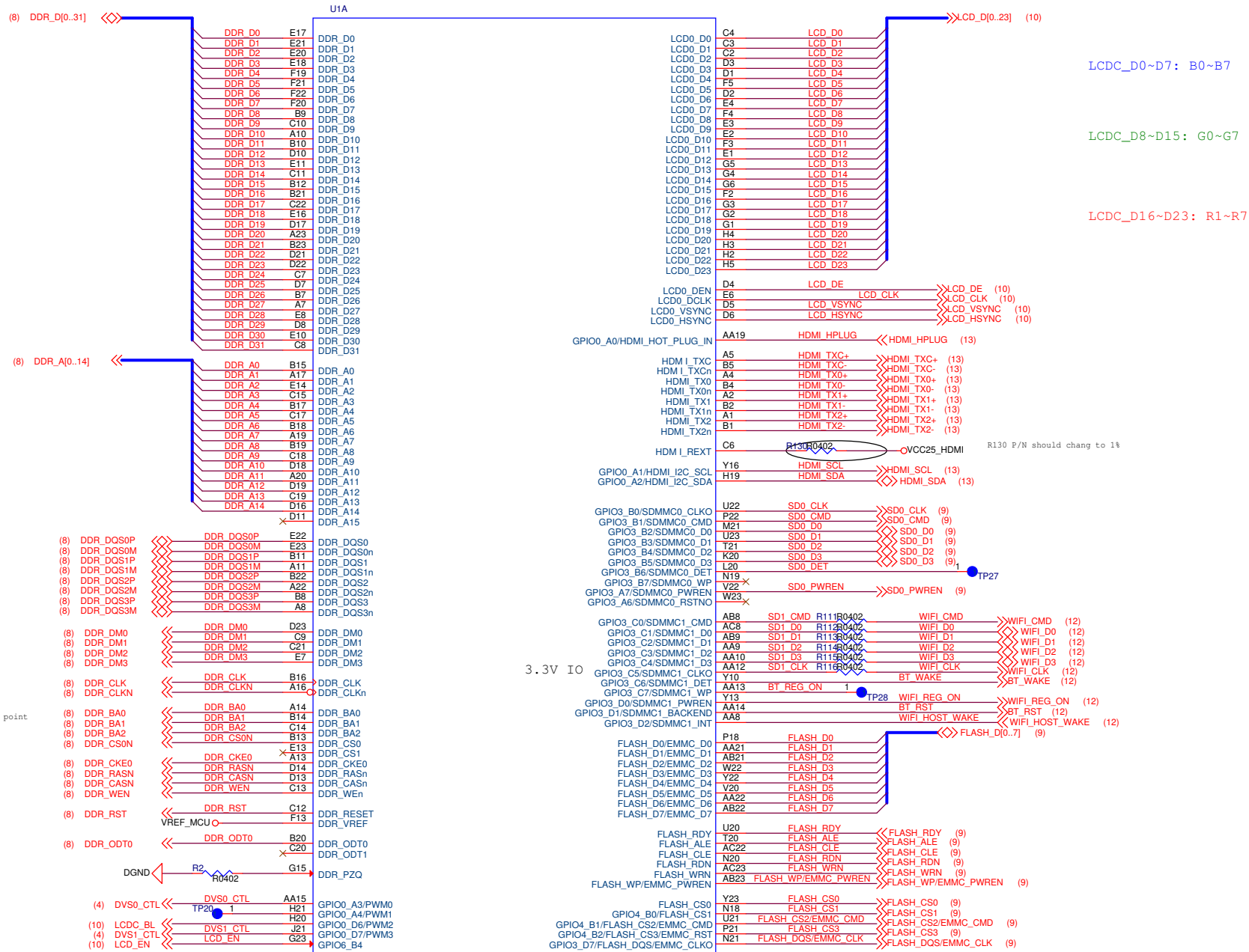
For OSC, DNI: U47, R369, R128, C164, C165, R17
 Install: R370, R122, R18



mode	p4ext	mii1_dis	mii1_phy_mod	mii2_dis	p4mii_sni	mii1_en	mii2_mac_mod	tb_mii0_en
MII1/MI10								
TRANS PHY mode	1	X	X	X	0	0	0	X
TRANS MAC mode	1	X	X	X	0	0	1	X
MI10 PHY mode	1	X	X	X	0	0	0	X
MI10 MAC mode	1	X	X	X	0	0	1	X
MI11	X	X	X	X	X	X	X	X
SNI1 PHY mode	1	X	X	X	1	0	0	X
SNI1 MAC mode	1	X	X	X	1	0	1	X







LCDC_D0~D7: B0~B7

LCDC_D8~D15: G0~G7

LCDC_D16~D23: R1~R7

R130 P/N should change to 1k

3.3V IO

