



福州市瀚宇正达电子有限公司

Word Easy Electronics Co.,Ltd.

规格承认书

SPECIFICATION FOR APPROVAL

日期 2020/10/26

Date

编号 20102601

File No

版本 1.0

Revision

客户 星网

CUSTOMER: _____

客户料号

CUSTOMER NO: _____

品名 WIFI Antenna L=136mm MHF

PART NAME: _____

供方料号 WE007N.F0081.V01

SUPPLIER NO: _____

送样日期Date:

送样数量Q “TY: _____

客户确认CUSTOMER APPROVED BY

APPROVAL

CHIEF

SUPERVISOR

供方确认 SUPPLIER SIGNATURE

APPROVAL

CHECK

DESIGN

工程专用章

Wu Jie

Zhou Hongtao

Zhu Zhiyong



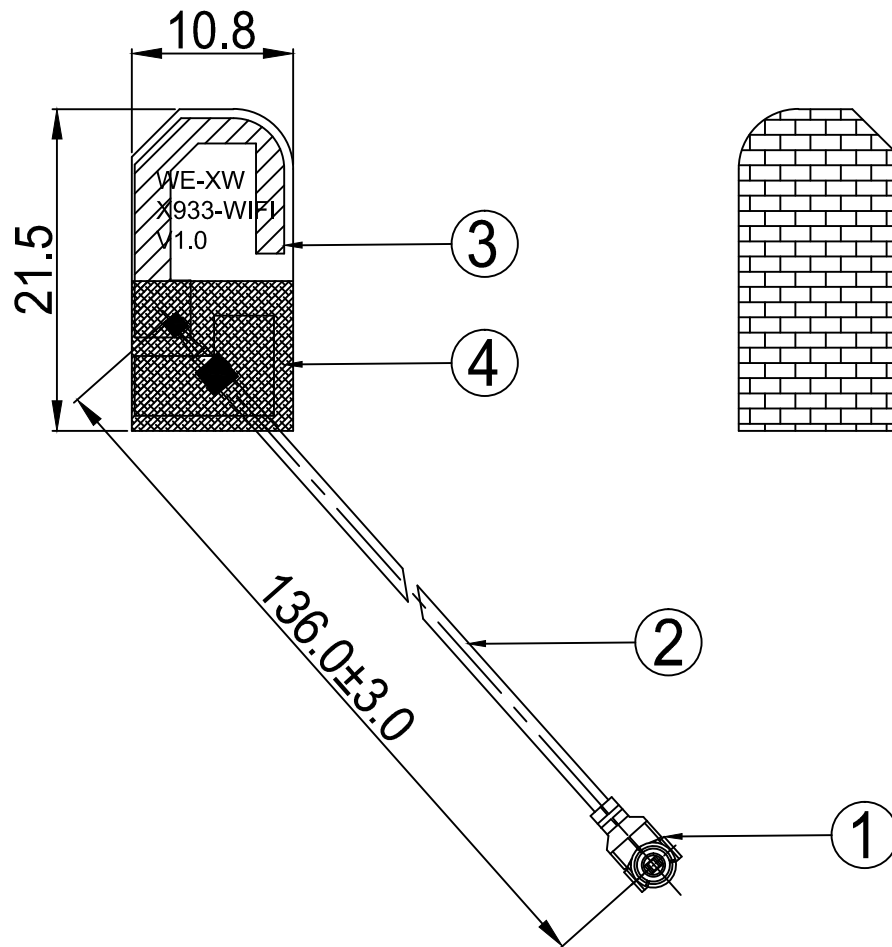
承认书项目表

NO.	内容 (Contents)	页数 (Number of Page)	页码 (Page Code)
1	承认书封面 (Spec Cover)	1	1
2	承认书项目表 (Spec Item)	1	2
3	工程成品图 (Drawing)	1	3
4	天线规格 (Antenna Specification)	1	4
5	S参数测试 (S Parameter)	1	5
6	无源测试 (Passive Test)	1	6
7	样品图片 (Sample Photo)	1	7
8	材质证明 (Material Certificate)	13	8 ~ 20
9	RoHS报告 (RoHS Test Report)	**	**
10	N/A	N/A	N/A
11	-	-	-
12	-	-	-
13	-	-	-
14	-	-	-

RoHS

Compatible

REV.	DESCRIPTION	DATE
△	首次发行	2020.09.11



4	Acetate Cloth	10.0*10.0MM	Acetate Cloth	FAB0001.V01	1
3	FPCB	21.5*10.8MM	FPCB	FPC0189.V01	1
2	Coaxial Cable	O.D.1.13 Gray	O.D.1.13	CAB0113.V02	1
1	Mini Connector	Au Plated 1代	Cu	MET0XD1.V01	1
NO	PART NAME	DESCRIPTION	Material	Part Number	Q.TY



福州市瀚宇正达电子有限公司

World Easy Electronics Co.,Ltd.

Tel :0591-22628085

Fax:0591-22627656

PART NAME: WIFI Antenna L=136mm MHF			DATE: 2020-09-11	
PART NO.: WE007N.F0081.V01				
APPROVED BY	CHECKED BY	DESIGNED BY	 Tolerance X.X ±0.50 X.XX±0.15 X° ±3°	
		周红涛		
			UNITS: mm	
			SCALE: 1/1	
			REVISION: A	



天线规格

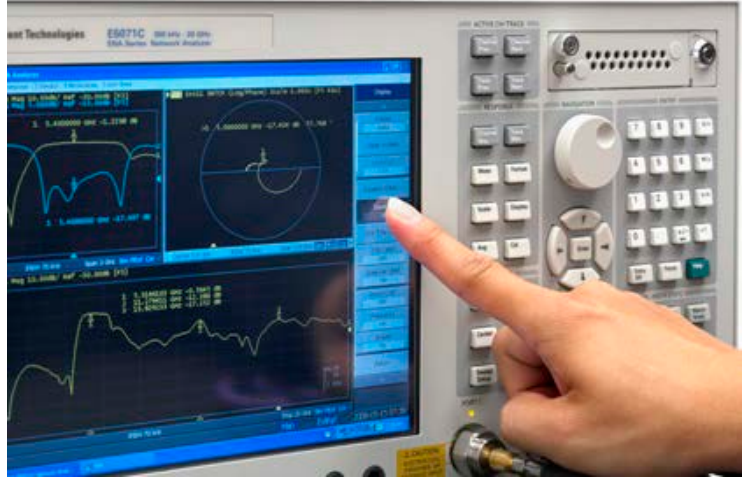
Antenna Specification

Electrical Properties	
Frequency	2400-2500MHz
Impedance	50 Ohm Nominal
V.S.W.R	See Page 5~8
Return Loss	See Page 5~8
Radiation	Omni-directional
Gain (Peak)	See Page 7
Polarization	Linear
Connector	1代I-PEX
Physical Properties	
Antenna Material	FPC
Cable Type	O.D.1.13//L=136mm
Operating Temp.	-10 ~ +60 °C
Storage Temp.	-10 ~ +70 °C
Cable Color	Gray

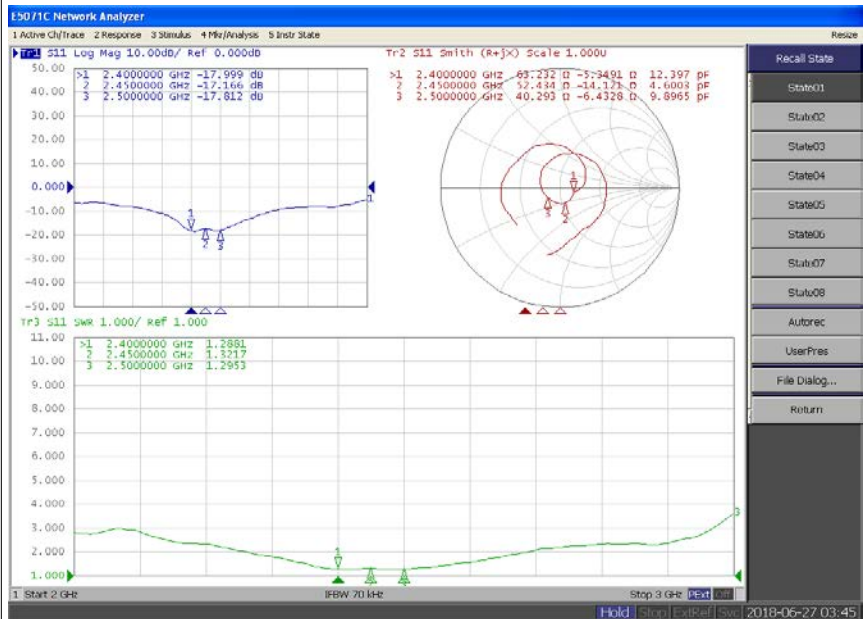


Antenna Performance Test

**Agilent
E5071C**



**S
Parameter
Test //
WIFI**





Antenna Passive Test

Passive Test For WIFI

Freq (MHz)	Effi (%)	Effi (dB)	Gain (dBi)
2400	45.0	-3.8	1.3
2410	40.4	-4.3	0.9
2420	43.0	-4.0	1.2
2430	40.9	-4.2	1.1
2440	46.1	-3.7	1.7
2450	44.7	-3.8	1.8
2460	44.9	-3.8	2.0
2470	38.4	-4.5	1.5
2480	40.0	-4.3	1.8
2490	45.7	-3.7	2.4
2500	50.9	-3.2	2.7



Sample Photo

