

Akuvox Smart Intercom



C312 Series Indoor Monitor User Manual

About This Manual

Thank you for choosing Akuvox's C312series indoor monitor. This manual is intended for end users, who need to use and configure the indoor monitor. This manual provides an introduction of basic functions and features of the product. It is suitable for firmware 112.30.1.155. Please visit Akuvox forum or consult technical support for any new information or latest firmware.

Note: Please refer to universal abbreviation form in the end of manual when meet any abbreviation letter.

Content

1. Product Overview	1
1.1. Product Description	1
1.2. Connector Introduction	2
2. Daily Use	3
2.1. Making a Call	3
2.1.1. Calling from keypad	3
2.1.2. Speed dial (Short Press)	3
2.1.3. Speed dial (Long Press)	4
2.2. Receiving a Call	4
2.2.1. Receive an Incoming Call	4
2.2.2. During the Session	5
2.3. Lock	5
2.3.1. Lock the Keyboard	5
2.3.2. Unlock the Keyboard	5
2.4. DND	6
2.4.1. Enable DND	6
2.4.2. Disable DND	6

1. Product Overview

1.1. Product Description

The C312X multifunctional communicator, which works as an indoor answering unit, provides HD audio communication with doorphone or other sip device.

It delivers the ultimate glass touch screen experience in an unobtrusive, space-saving design featuring a brilliant 2.23 inch display.

C312X are often applied to scenarios such as villas, apartments and buildings.



Figure 1.1 Product Description

1.2. Connector Introduction

POE: POE connector which it can provide both power and network connection.

12V/GND: External power supply terminal if POE is not available.

DoorGND: Connect a simple two-wire door bell.

Relay (NO/COM/NC): Relay control terminal.

IO1- IO8/GND: Connect with different alarm detectors for 8 security zones.

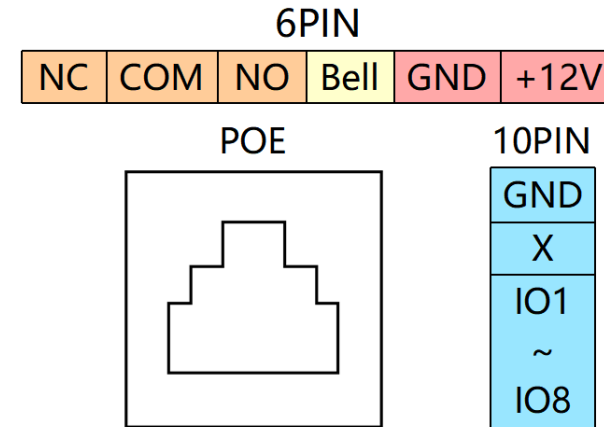


Figure 1.2-1 Connector Introduction

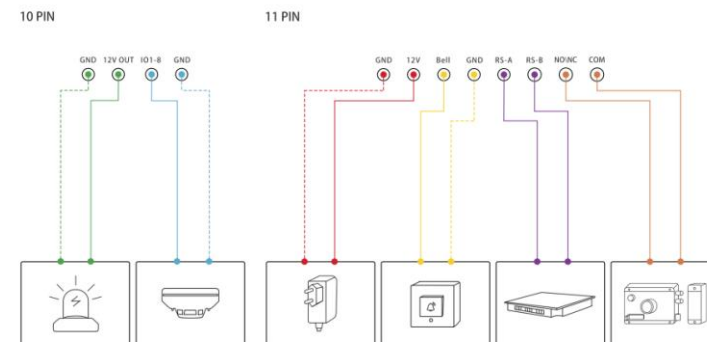


Figure 1.2-2 General interface

2. Daily Use

2.1. Making a Call

Users can establish VOIP callsby C312X.

2.1.1. Calling from keypad

- Dial the SIP account /IP address on the keypad ①.
- Press Call Touch Key to call out ②.

2.1.2. Speed dial (Short Press)

- Short press Call Touch Key about 2s to call out predefined number .



Figure2.1Making a Call

2.1.3. Speed dial (Long Press)

- Long press Call Touch Key about 2s to call out predefined number .

Note: the long/short press call number need to be setup in the web ,please consult your administrator.

2.2. Receiving a Call

2.2.1. Receive an Incoming Call

When receiving a call .

- Press Call Touch Key to pick up the incoming call.
- Press Hangup Touch Key to reject the incoming call.



Figure2.2Receive a Call

2.2.2. During the Session

- Press the volume button on the left side to adjust the ring tone volume.
- Press Hangup Touch Key to hang up the current call.
- Press Mute Touch Key to eliminate the voice on C312X's side.

2.3. Lock

2.3.1. Lock the Keyboard

- Press Lock Key to lock C312 keyboard.
- The LED will turn orange.

2.3.2. Unlock the Keyboard

- Long press Lock Key to unlock C312 keyboard.
- The LED will turn yellow.



Figure2.2Receive a Call

2.4. DND

2.4.1. Enable DND

- Press DND Key to enable DND mode.
- The LED will turn orange.

2.4.2. Disable DND

- In DND mode, press DND Key to unlock C312 keyboard.
- The LED will turn blue.



Figure2.4DND

Abbreviations

ACS:Auto Configuration Server

Auto:Automatically

AEC:Configurable Acoustic and Line Echo Cancelers

ACD:Automatic Call Distribution

Autop:Automatic Provisioning

AES:Advanced Encryption Standard

BLF:Busy Lamp Field

COM:Common

CPE:Customer Premise Equipment

CWMP:CPE WAN Management Protocol

DTMF:Dual Tone Multi-Frequency

DHCP:Dynamic Host Configuration Protocol

DNS:Domain Name System

DND:Do Not Disturb

DNS-SRV:Service record in the Domain Name System

FTP: File Transfer Protocol

GND: Ground

HTTP: Hypertext Transfer Protocol

HTTPS: Hypertext Transfer Protocol Secure

IP: Internet Protocol

ID: Identification

IR: Infrared

LCD: Liquid Crystal Display

LED: Light Emitting Diode

MAX: Maximum

POE: Power Over Ethernet

PCMA: Pulse Code Modulation A-Law

PCMU: Pulse Code Modulation μ -Law

PCAP: Packet Capture

PNP: Plug and Play

RFID: Radio Frequency Identification

RTP: Real-time Transport Protocol

RTSP: Real Time Streaming Protocol

MPEG: Moving Picture Experts Group

MWI: Message Waiting Indicator

NO: Normal Opened

NC: Normal Connected

NTP: Network Time Protocol

NAT: Network Address Translation

NVR: Network Video Recorder

ONVIF: Open Network Video Interface Forum

SIP: Session Initiation Protocol

SNMP: Simple Network Management Protocol

STUN: Session Traversal Utilities for NAT

SMTP: Simple Mail Transfer Protocol

SDMC: SIP Devices Management Center

TR069: Technical Report069

TCP: Transmission Control Protocol

TLS: Transport Layer Security

TFTP: Trivial File Transfer Protocol

UDP: User Datagram Protocol

URL: Uniform Resource Locator

VLAN: Virtual Local Area Network

WG: Wiegand

Contact us

For more information about the product, please visit us at www.akuvox.com or feel free to contact us by

Sales email: sales@akuvox.com

Technical support email: techsupport@akuvox.com

Telephone: +86-592-2133061 ext.7694/8162

We highly appreciate your feedback about our products.



FCC Statement:

Any Changes or modifications not expressly approved by the party responsible for compliance could void the user's authority to operate the equipment.

This device complies with part 15 of the FCC Rules. Operation is subject to the following two conditions:

- (1) This device may not cause harmful interference, and
- (2) This device must accept any interference received, including interference that may cause undesired operation.

Note: This equipment has been tested and found to comply with the limits for a Class B digital device, pursuant to part 15 of the FCC Rules.

These limits are designed to provide reasonable protection against harmful interference in a residential installation. This equipment generates, uses and can radiate radio frequency energy and, if not installed and used in accordance with the instructions, may cause harmful interference to radio communications. However, there is no guarantee that interference will not occur in a particular installation. If this equipment does cause harmful interference to radio or television reception, which can be determined by turning the equipment off and on, the user is encouraged to try to correct the interference by one or more of the following measures:

- Reorient or relocate the receiving antenna.
- Increase the separation between the equipment and receiver.
- Connect the equipment into an outlet on a circuit different from that to which the receiver is connected.
- Consult the dealer or an experienced radio/TV technician for help.

FCC Radiation Exposure Statement:

This equipment complies with FCC radiation exposure limits set forth for an uncontrolled environment. This equipment should be installed and operated with minimum distance 20cm between the radiator & your body.