

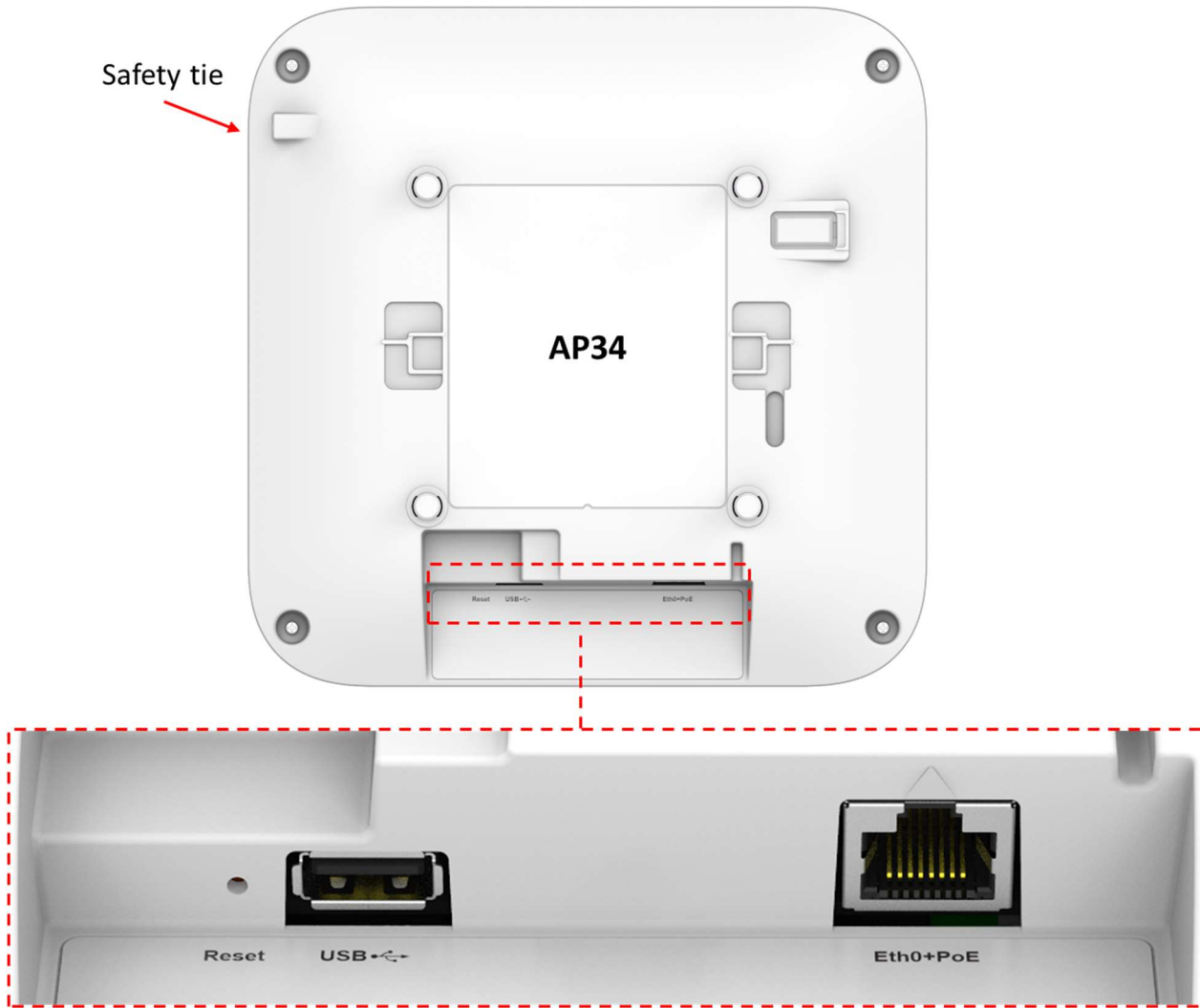


AP34 Hardware Installation Guide

Overview

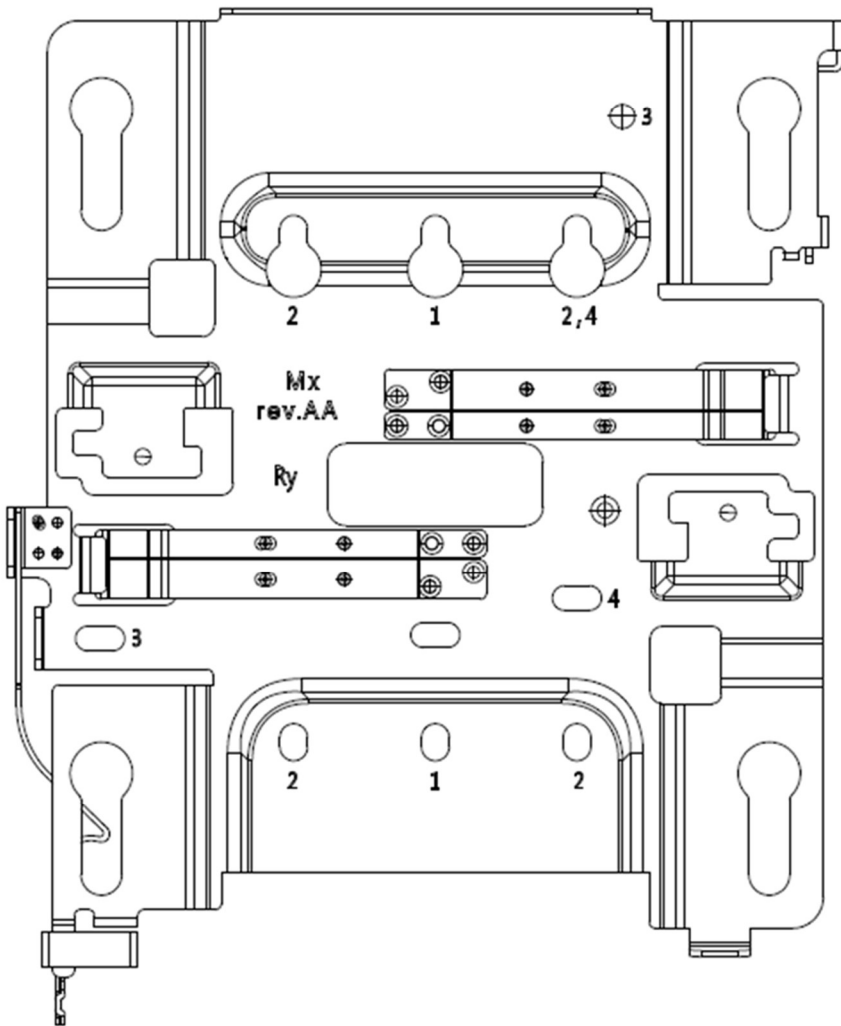
The Mist AP34 contains four IEEE 802.11ax radios that deliver 2x2 MIMO with two spatial streams when operating in multi-user (MU) or single-user (SU) mode. The AP34 is capable of operating simultaneously in the 6GHz band, 5GHz band, and 2.4GHz band along with a dedicated tri-band scan radio.

I/O ports



Reset	Reset to the factory default settings
Eth0+PoE	100/1000/2500/5000BASE-T RJ45 interface that supports 802.3at/802.3bt PoE PD
USB	USB2.0 support interface

APBR-U Mounting box options



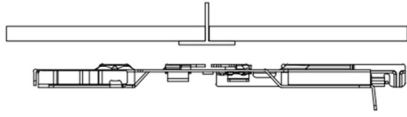
Holes	Mounting options
1	US Single gang, 4 inch round, 3.5 inch round
2	US Double gang, Wall/ceiling mount
3	US 4 inch square
4	EU junction box

In a wall mount installation, please use screws that have a 1/4in. (6.3mm) diameter head with a length at least 2 in. (50.8mm).

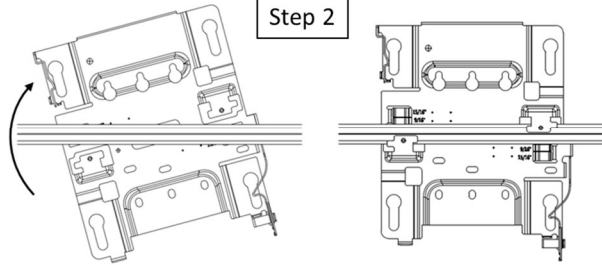
APBR-U is in the AP34 box which includes a set screw and an eyehook.

Mounting to a 9/16 inch or 15/16 inch T-bar

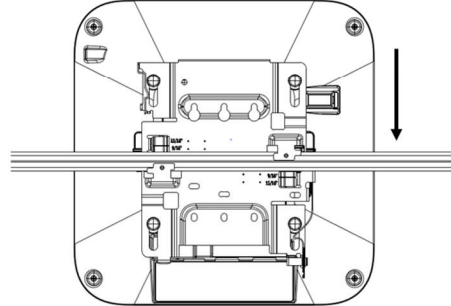
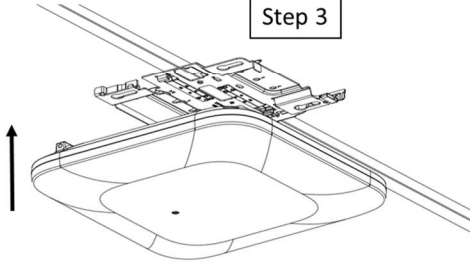
Step 1



Step 2



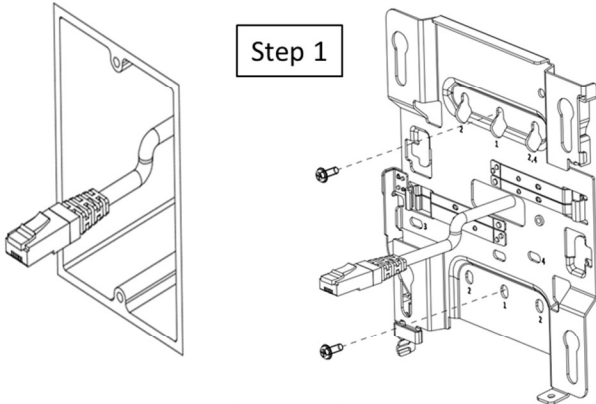
Step 3



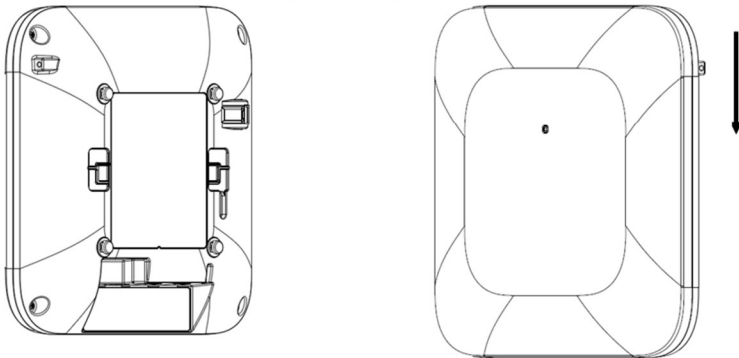
Step1.
Mount APBR-U to the t-bar
Step2.
Rotate APBR-U to lock to the t-bar
Step3.
Slide the AP with shoulder screws on the APBR-U until the lock is engaged

US single gang, 3.5 or 4 inch round junction box

Step 1



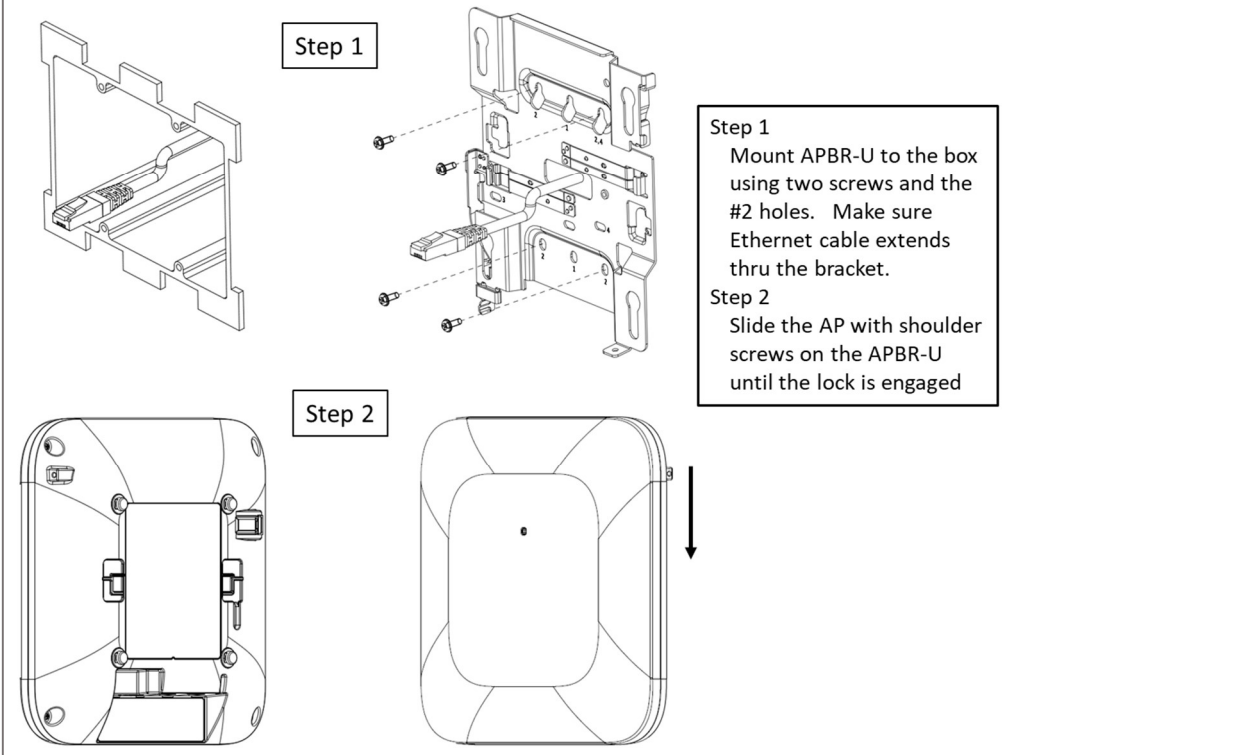
Step 2



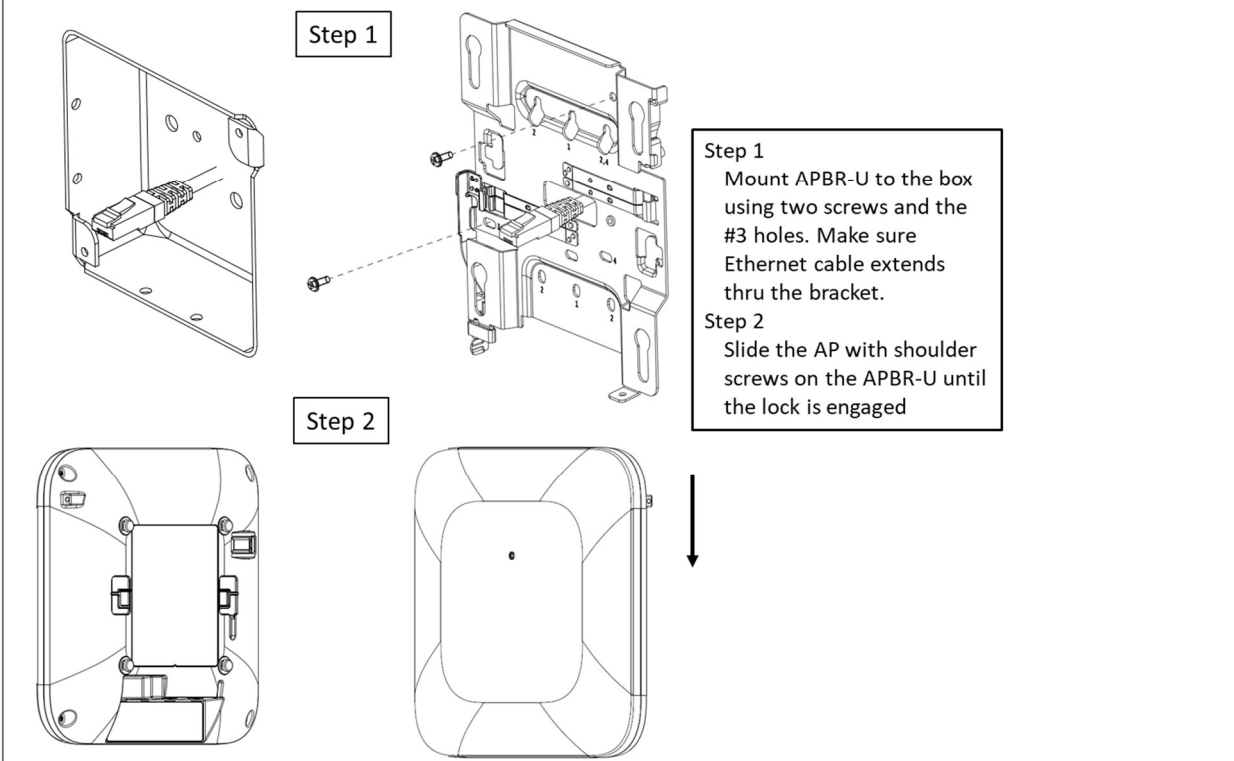
Step 1
Mount APBR-U to the box using two screws and the #1 holes. Make sure Ethernet cable extends thru the bracket.

Step 2
Slide the AP with shoulder screws on the APBR-U until the lock is engaged

US double gang junction box

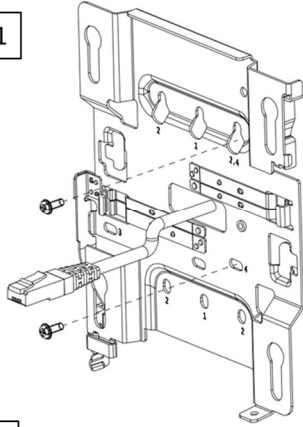
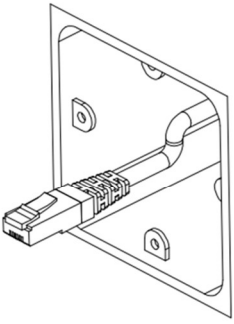


US 4 inch square junction box



EU junction box

Step 1



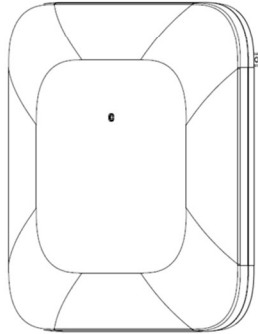
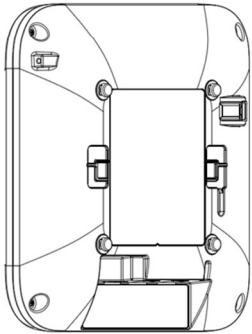
Step 1

Mount APBR-U to the box using two screws and the #4 holes. Make sure Ethernet cable extends thru the bracket.

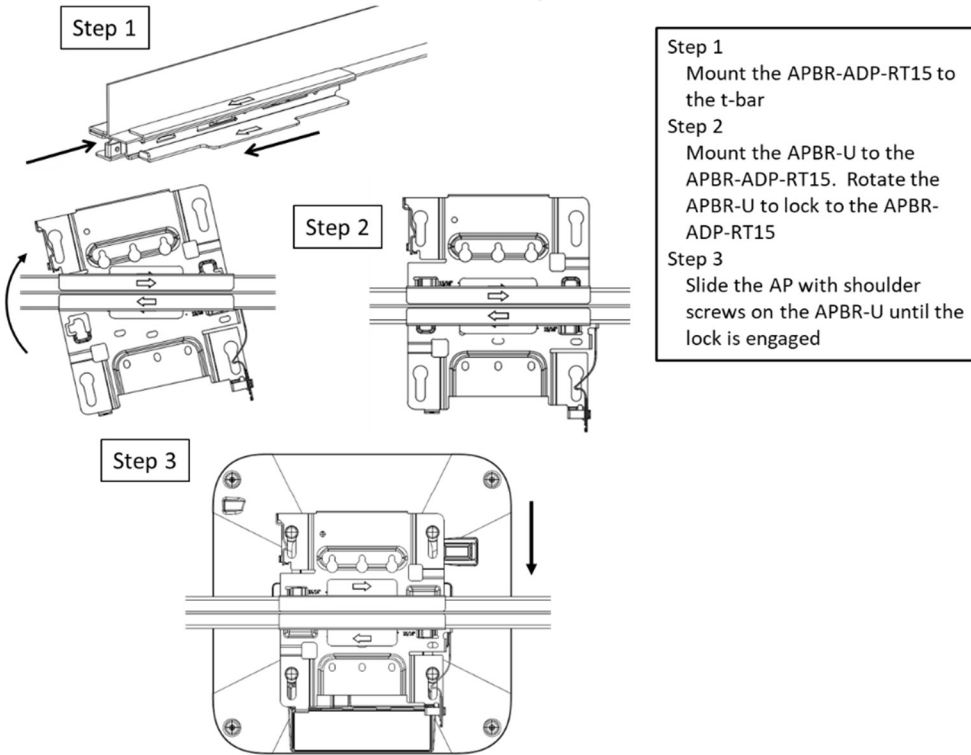
Step 2

Slide the AP with shoulder screws on the APBR-U until the lock is engaged

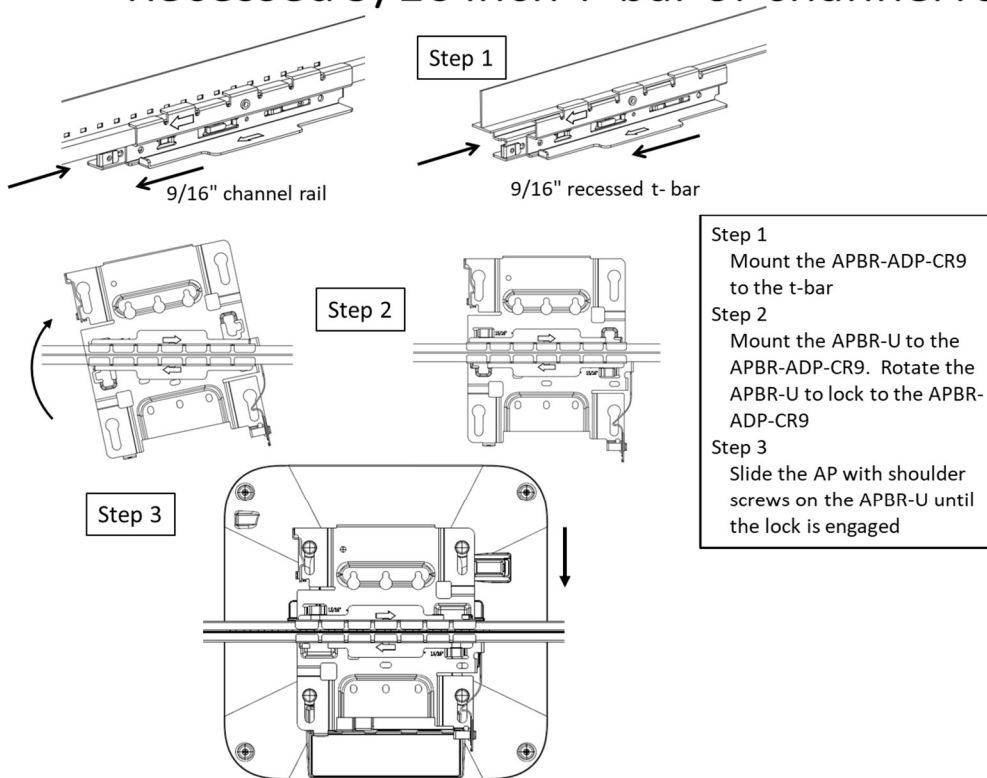
Step 2



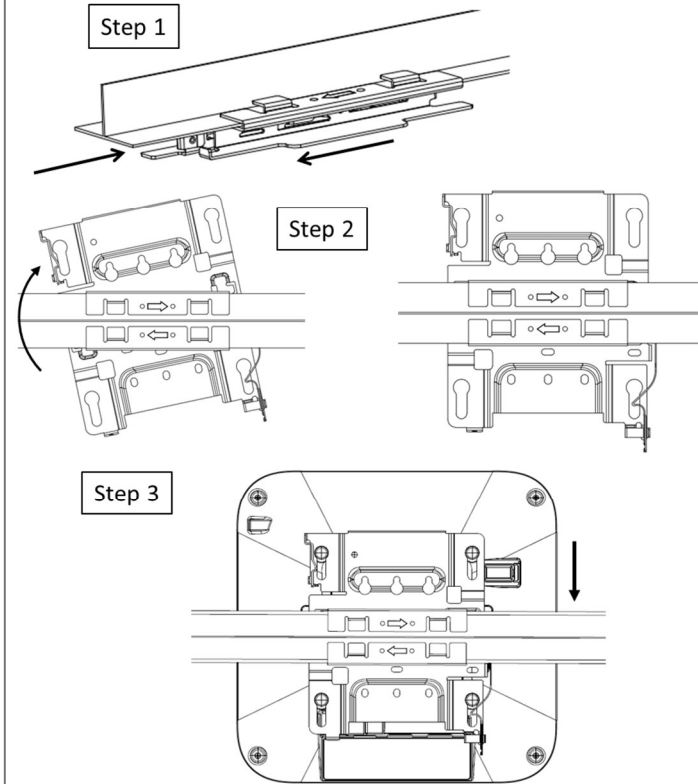
Recessed 15/16 inch T-bar



Recessed 9/16 inch T-bar or channel rail

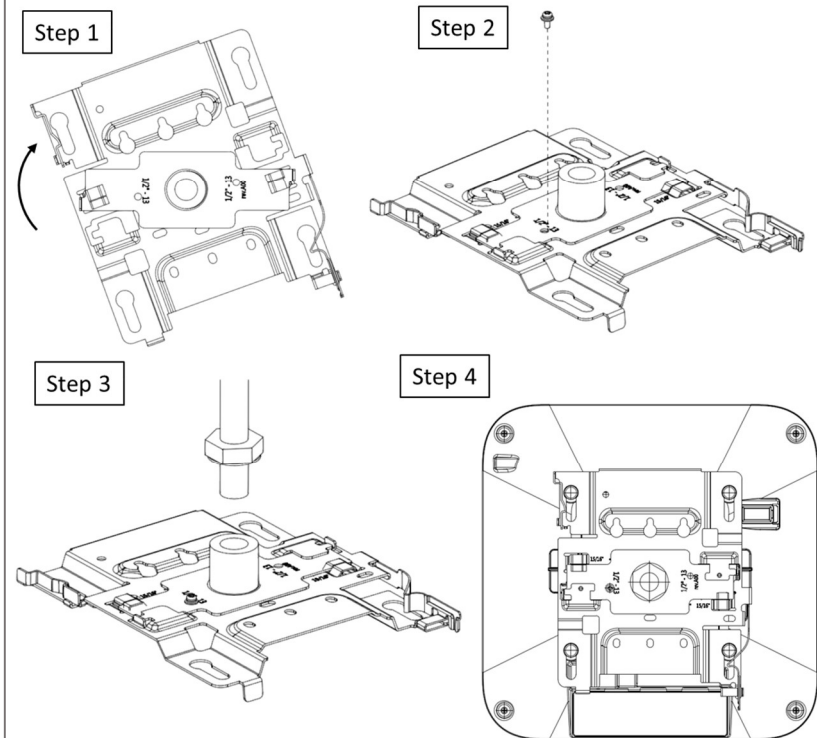


1.5 inch T-bar



- Step 1
Mount the APBR-ADP-WS15 to the t-bar
- Step 2
Mount the APBR-U to the APBR-ADP-WS15. Rotate the APBR-U to lock to the APBR-ADP-WS15
- Step 3
Slide the AP with shoulder screws on the APBR-U until the lock is engaged

Threaded rod adapter (1/2", 5/8", or M16)



- Step 1
Install the APBR-ADP-T12 to the APBR-U. Rotate to lock.
- Step 2
Secure the APBR-ADP-T12 to the APBR-U with the provided screw
- Step 3
Install the bracket assembly to the 1/2" threaded rod and secure with the provided lock washer and nut.
- Step 4
Slide the AP with shoulder screws on the APBR-U until the lock is engaged
- The same instructions work for the APBR-ADP-T58 or APBR-ADP-M16

The threaded rod adapter attaches to a rod that is either 1/2"-13, 5/8"-11, or M16-2.

Technical Specifications:

Feature	Description
Power options	802.3at/802.3bt PoE
Dimensions	230mm x 230mm x 50mm (9.06in x 9.06in x 1.97in)
Weight	AP34: 1.25 kg (2.74 lbs)
Operating temperature	AP34: 0° to 40° C
Operating humidity	10% to 90% maximum relative humidity, non-condensing
Operating altitude	3,048m (10,000 ft)
Electromagnetic emissions	FCC Part 15 Class B
I/O	1 – 100/1000/2500/5000BASE-T auto-sensing RJ-45 with PoE USB2.0
RF	2.4GHz - 2x2:2SS 802.11ax MU-MIMO & SU-MIMO 5GHz - 2x2:2SS 802.11ax MU-MIMO & SU-MIMO 6GHz – 2x2: 2SS 802.11ax MU-MIMO & SU-MIMO 2.4GHz / 5GHz /6GHz scanning radio 2.4GHz BLE
Maximum PHY rate	Total maximum PHY rate – 4175 Mbps 6GHz – 2400 Mbps 5GHz – 1200 Mbps 2.4GHz – 575 Mbps
Indicators	Multi-color status LED
Safety standards	UL 62368-1 CAN/CSA-C22.2 No. 62368-1-14 UL 2043 ICES-003:2020 Issue 7, Class B (Canada)

Suitable for use in environmental air space in accordance with Section 300-22(C) of the National Electrical Code, and Sections 2-128, 12-010(3), and 12-100 of the Canadian Electrical Code, Part 1, CSA C22.1.

Warranty Information

The AP34 family of Access Points comes with a limited lifetime warranty.

Ordering Information:

Access Points

AP34-US	802.11ax 6E 2+2+2 – Internal Antenna for the US Regulatory domain
AP34-WW	802.11ax 6E 2+2+2 – Internal Antenna for the WW Regulatory domain

Mounting brackets

APBR-U	Universal AP Bracket for T-Rail and Drywall mounting for Indoor Access Points
APBR-ADP-T58	Adapter for 5/8-inch threaded rod bracket
APBR-ADP-M16	Adapter for 16mm threaded rod bracket
APBR-ADP-T12	Adapter for 1/2-inch threaded rod bracket
APBR-ADP-CR9	Adapter for channel rail and recessed 9/16" t-rail
APBR-ADP-RT15	Adapter for recessed 15/16" t-rail
APBR-ADP-WS15	Adapter for recessed 1.5" t-rail

Power Supply options

802.3at or 802.3bt PoE power

Regulatory Compliance Information:

This product and all interconnected equipment must be installed indoors within the same building, including the associated LAN connections as defined by the 802.3at Standard.

Operations is restricted to indoor usage only.

If you need further assistance with purchasing the power source, please contact Juniper Networks, Inc.

FCC Requirement for Operation in the United States of America:

FCC Part 15.247, 15.407, 15.107, and 15.109

FCC Guideline for Human Exposure

This equipment complies with FCC radiation exposure limits set forth for an uncontrolled environment. This equipment should be installed and operated with minimum distance between the radiator & your body; AP34 – 41cm.

This device complies with Part 15 of the FCC Rules. Operation is subject to the following two conditions: (1) This device may not cause harmful interference, and (2) this device must accept any interference received, including interference that may cause undesired operation.

This equipment has been tested and found to comply with the limits for a Class B digital device, pursuant to Part 15 of the FCC Rules. These limits are designed to provide reasonable protection against harmful interference in a residential installation. This equipment generates, uses, and can radiate radio frequency energy and, if not installed and used in accordance with the instructions, may cause harmful interference to radio communications. However, there is no guarantee that interference will not occur in a particular installation. If this equipment does cause harmful interference to radio or television reception, which can be determined by turning the equipment off and on, the user is encouraged to try to correct the interference by one of the following measures:

- Reorient or relocate the receiving antenna.
- Increase the separation between the equipment and receiver.
- Connect the equipment into an outlet on a circuit different from that to which the receiver is connected.
- Consult the dealer or an experienced radio/TV technician for help.

FCC Caution

- Professional installation is required.
- Any changes or modifications not expressly approved by the party responsible for compliance could void the user's authority to operate this equipment.
- This transmitter must not be co-located or operating in conjunction with any other antenna or transmitter.
- FCC regulations restrict the operation of this device to indoor use only.
- The 5.925 ~ 7.125GHz operation of this device is prohibited on oil platforms, cars, trains, boats, and aircraft, except that operation of this device is permitted in large aircraft while flying above 10,000 feet.

- Operation of transmitters in the 5.925-7.125 GHz band is prohibited for control of or Communications with unmanned aircraft systems.