

Disclaimer

Thank you for purchasing the X5R SSD (hereinafter referred to as “product”). Read this disclaimer carefully before using this product. By using this product, you hereby agree to this disclaimer and signify that you have read it fully. Please install and use this product in strict accordance with the User Manual. SZ DJI BaiWang Technology Co., Ltd. and its affiliated companies assume no liability for damage(s) or injuries incurred directly or indirectly from using, installing or refitting this product improperly, including but not limited to using non-designated accessories.

DJI is the registered trademark of SZ DJI BaiWang Technology Co., Ltd. (abbreviated as “DJI”). Names of products, brands, etc., appearing in this manual are trademarks or registered trademarks of their respective owner companies. This product and manual are copyrighted by DJI with all rights reserved. No part of this product or manual shall be reproduced in any form without the prior written consent of or authorization from DJI.

This disclaimer is produced in various languages. In the event of variance among different versions, the Chinese version shall prevail when the product in question is purchased in Mainland China, and the English version shall prevail when the product in question is purchased in any other region.

Warnings

1. DO NOT plug or unplug the X5R SSD when it is powered on.
2. DO NOT place the X5R SSD next to strong magnetic or electric fields, or else your data may be damaged or lost.
3. Keep the X5R SSD away from direct sunlight or other heat sources.
4. Liquid spills may cause permanent damage to the X5R SSD.
5. DO NOT apply external pressure to the X5R SSD.
6. Dropping the X5R SSD may result in permanent damage.
7. Only use genuine DJI parts or parts certified by DJI. Unauthorized parts or parts from non-DJI-certified manufacturers may cause system malfunctions and compromise safety.
8. Ensure the X5R SSD and its components are free of foreign objects (water, oil, soil, sand, etc.).

About

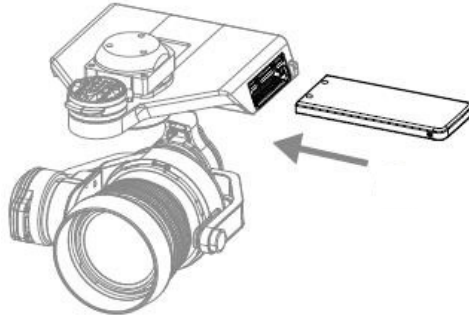
The ZENMUSE X5R shoots video in lossless format to preserve maximum detail, with an integrated X5R SSD drive for storing the lossless video recorded. Ensure you use the X5R SSD correctly for normal video storage.

Usage

Install the X5R SSD onto the Zenmuse X5R for storing the lossless video recorded. Export the video with a X5R READER. DJI ZENMUSE X5R is used as example in below contents.

Store the Video

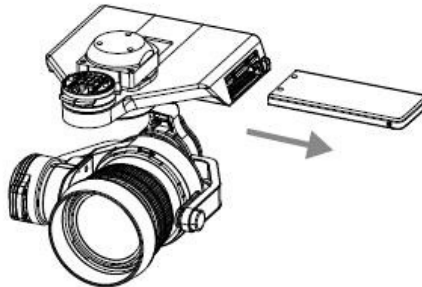
1. Ensure the Zenmuse X5R is powered off.
2. Insert the X5R SSD into the ZENMUSE X5R and ensure the X5R SSD is correctly inserted, otherwise, it may not be recognized by the ZENMUSE X5R.



3. Then power on the Zenmuse X5R and X5R SSD related information will be available in app.

Export the Video

1. Ensure the Zenmuse X5R is powered off. While holding down the SSD Release Button, remove the X5R SSD to detach it.



2. Insert the X5R SSD into the X5R READER correctly, then connect the X5R READER to a device with DJI CineLight installed via the USB 3.0 cable. Video can be exported by the DJI CineLight. Refer to the Zenmuse X5R user manual for more DJI CineLight details.



Note:

1. DO NOT remove the X5R SSD from the Zenmuse X5R when it is powered on.
2. DO NOT connect this product to a USB interface of a version less than 3.0.

Specifications

Capacity: 512 GB

Dimensions: 84 mm x 38 mm x 5 mm

Weight: 33 g

Operating temperature: 0°C ~ 70°C

Storage temperature: -40°C ~ 85°C

Humidity: 5% ~ 95%, non-condensing

FCC Warning Message

Any Changes or modifications not expressly approved by the party responsible for compliance could void the user's authority to operate the equipment.

This device complies with part 15 of the FCC Rules. Operation is subject to the following two conditions: (1) This device may not cause harmful interference, and (2) this device must accept any interference received, including interference that may cause undesired operation.

Note: This equipment has been tested and found to comply with the limits for a Class B digital device, pursuant to part 15 of the FCC Rules. These limits are designed to provide reasonable protection against harmful interference in a residential installation. This equipment generates uses and can radiate radio frequency energy and, if not installed and used in accordance with the instructions, may cause harmful interference to radio communications. However, there is no guarantee that interference will not occur in a particular installation. If this equipment does cause harmful interference to radio or television reception, which can be determined by turning the equipment off and on, the user is encouraged to try to correct the interference by one or more of the following measures:

- Reorient or relocate the receiving antenna.
- Increase the separation between the equipment and receiver.
- Connect the equipment into an outlet on a circuit different from that to which the receiver is connected.
- Consult the dealer or an experienced radio/TV technician for help.