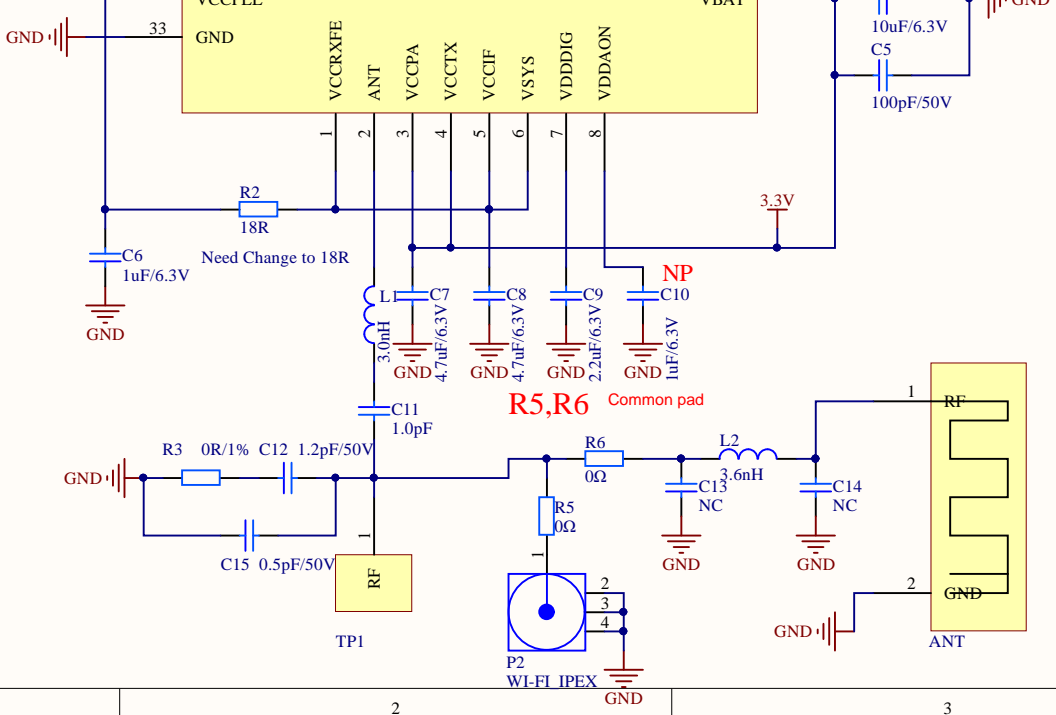
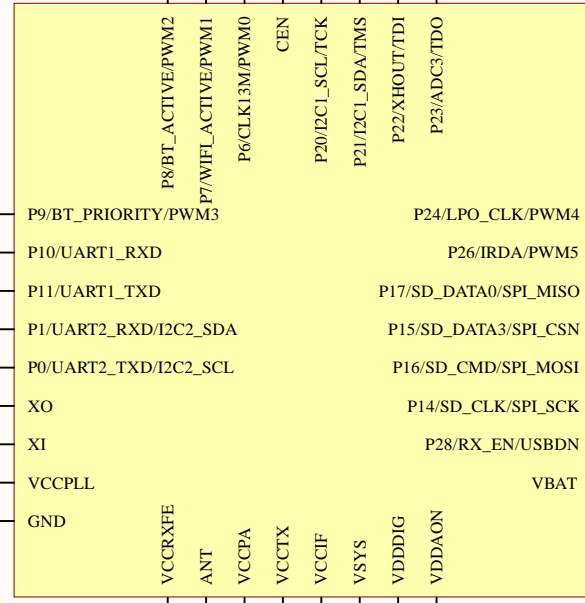
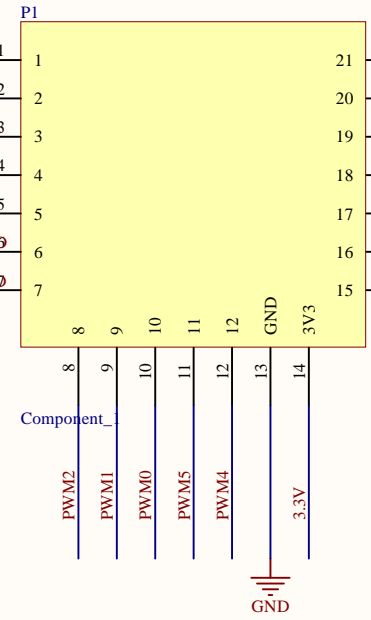


SCK	P14	1	21	P15	CS
MOSI	P16	2	20	P17	MISO
IO	TCK_F_SCK3	3	19	P9	IO
IO	TDI_F_SI	4	18	CEN	RST
ADC	TDO_F_SO	5	17	P28	ADC
	UART2_RXD	6	16	UART1_RXD	
	UART2_TXD	7	15	UART1_TXD	



A
B
C
D

A
B
C
D

1

2

3

4

1

2

3

4