

Justification statement for Antenna

To: Federal Communication Commission
Equipment Authorization Branch
7435 Oakland Mills Road
Columbia, MID 21046

Regarding: 2AHAS-XWC81036

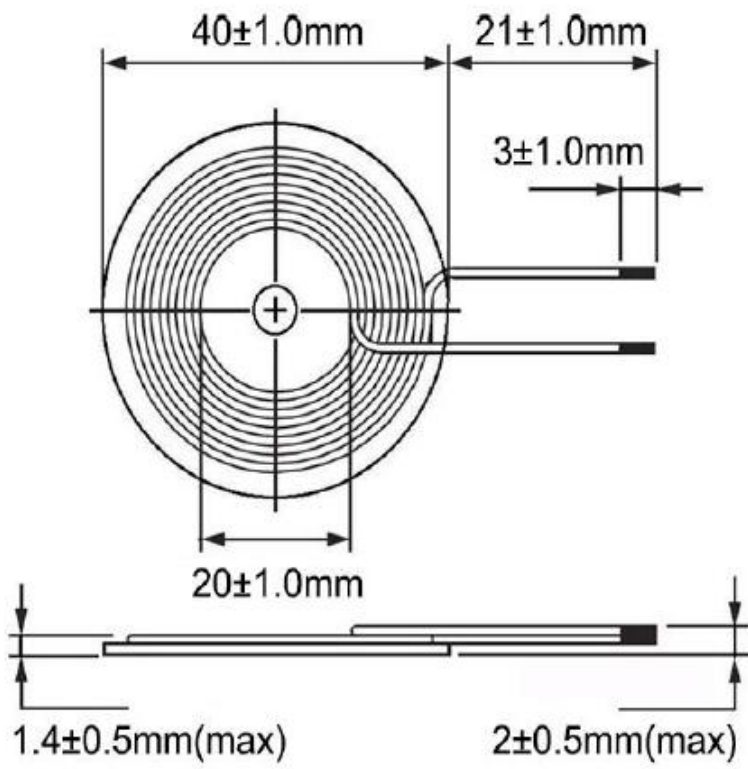
Dear Sir/Madam,

Only radiated measurements are used for EUT with FCC ID: 2AHAS-XWC81036 to show compliance with FCC limits for fundamental and spurious emissions. All measurements were performed radiated and therefore additional antenna gain documentation is not required.

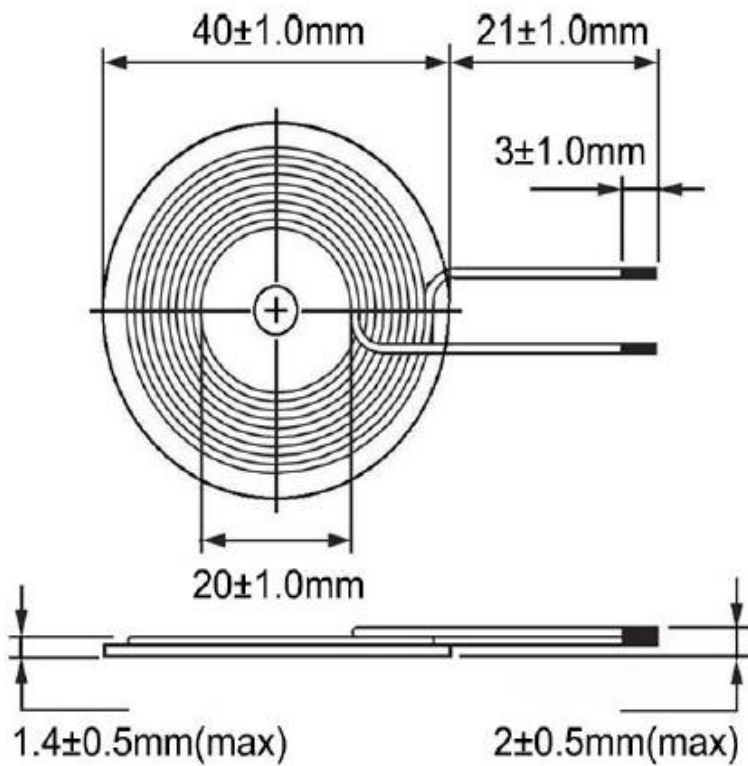
The detailed information for antenna as below shows:

Design Specifications	Typical
Antenna Type	Loop Antenna
Working Frequency	Coil 1: Output 1 for Phone: 115.0kHz to 134.8kHz Coil 2: Output 2 for AirPods: 119.98kHz to 161.73kHz Coil 3: Output 3 for Apple Watch: 326.92kHz to 329.20kHz & 1.70064MHz to 1.71536MHz
Overall Dimensions	Coil 1: 41.0mm*21.0mm Coil 2: 41.0mm*21.0mm Coil 3: 26mm*15.5mm

Coil 1



Coil 2



Coil 3

