

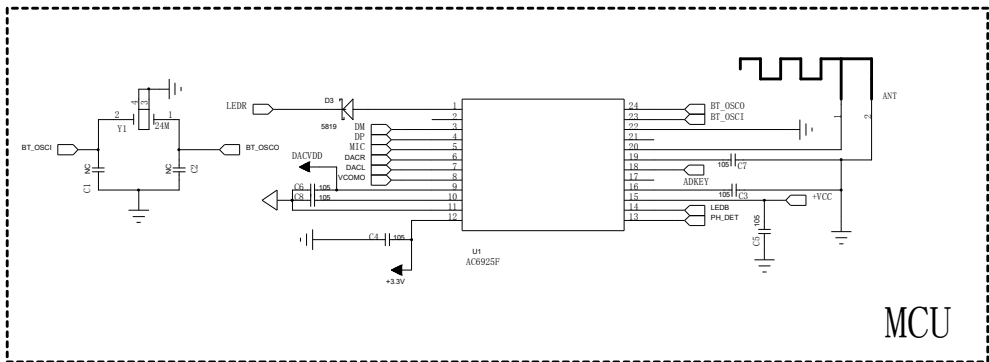
REVISION RECORD			
LTR	ECO NO:	APPROVED:	DATE:

D

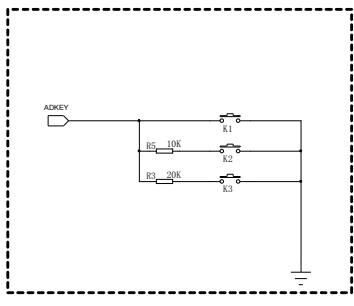
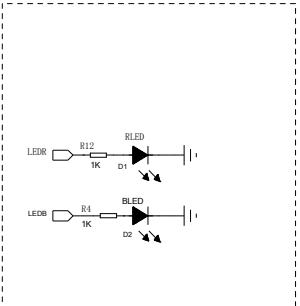
D

C

C

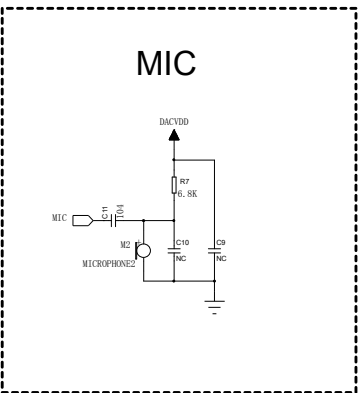
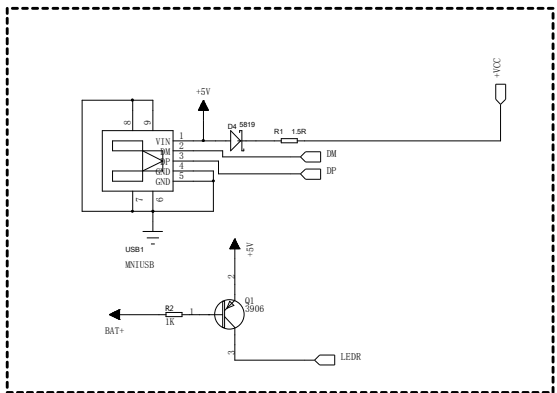


MCU

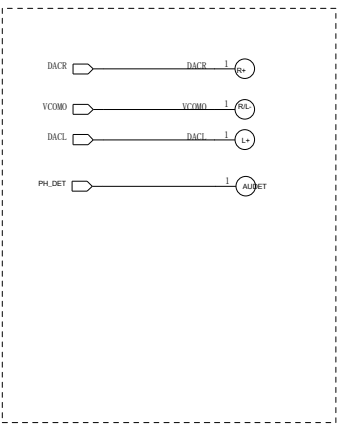


B

B



MIC



A

A