

6

5

4

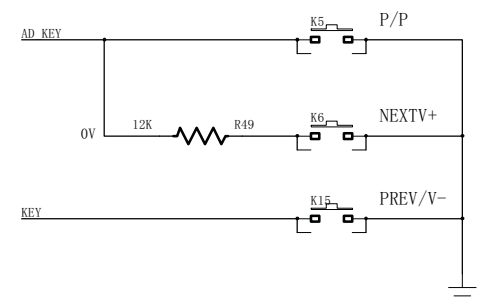
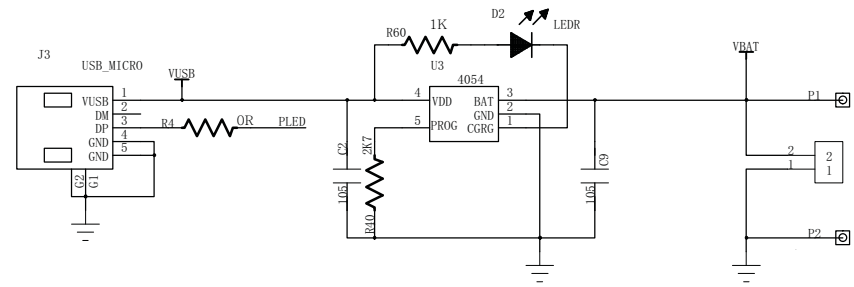
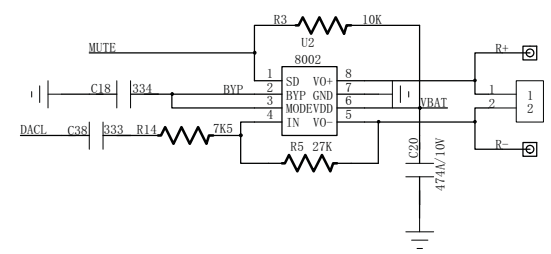
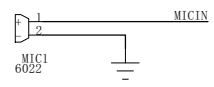
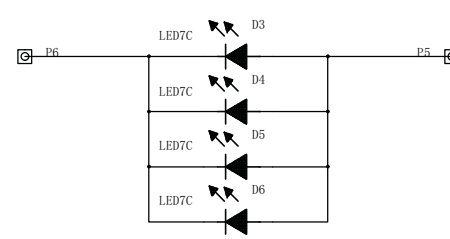
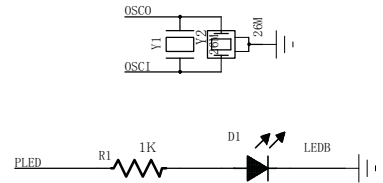
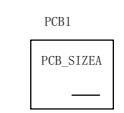
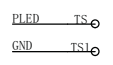
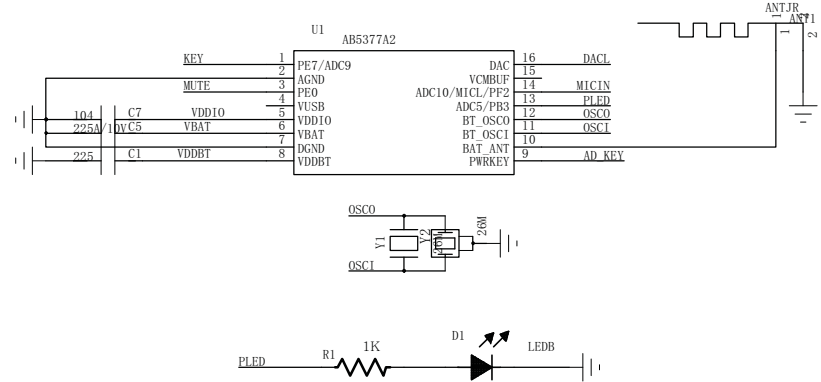
3

2

1

REVISION RECORD

LTR	ECO NO:	APPROVED:	DATE:



KEY-BORD

