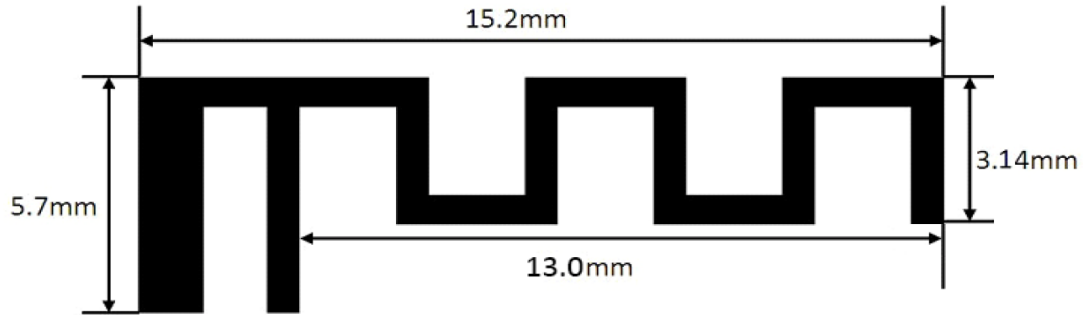


Antenna Specification	
ITEM	ANT SPEC
Model Name	2.4G ANT
Maximum Gain	-0.58dBi
Polarization	Horizontal and Vertical
Azimuth Beam Pattern	Omni-directional
Impedance	50 Ohm
Manufacture	ZHUHAI JIELI TECHNOLOGY CO.,LTD
Address	7th floor, Fuhua Science and Technology Building, North Ring Avenue, Xili Street, Nanshan District, Shenzhen

Antenna Photo & Size (mm)



Frequency / MHz	Gain/ dBi
2400	-0.89
2410	-0.95
2420	-0.78
2430	-0.66
2440	-0.58
2450	-0.59
2460	-0.63
2470	-0.77
2480	-0.79
2490	-0.92
2500	-1.04

# 3D Radiation Pattern @ 2440 MHz

