

## Justification statement for Antenna

To: Federal Communication Commission  
Equipment Authorization Branch  
7435 Oakland Mills Road  
Columbia, MID 21046

**Regarding:** FCC ID: **2AHAS-PWC81038**

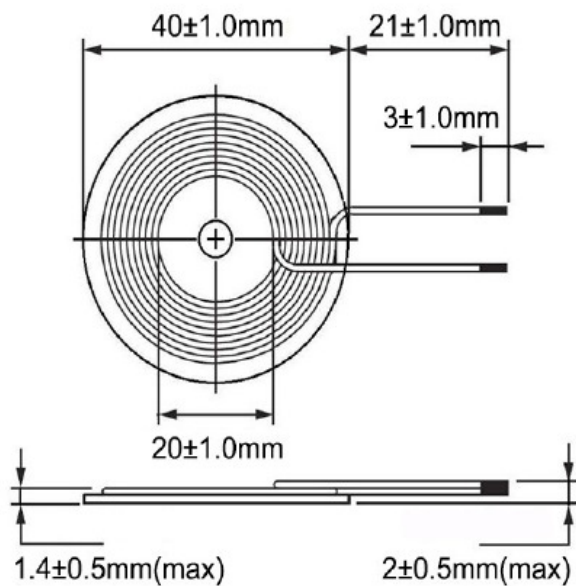
Dear Sir/Madam,

Only radiated measurements are used for EUT with *FCC ID: 2AHAS-PWC81038* to show compliance with FCC limits for fundamental and spurious emissions. All measurements were performed radiated and therefore additional antenna gain documentation is not required.

The detailed information for antenna as below shows:

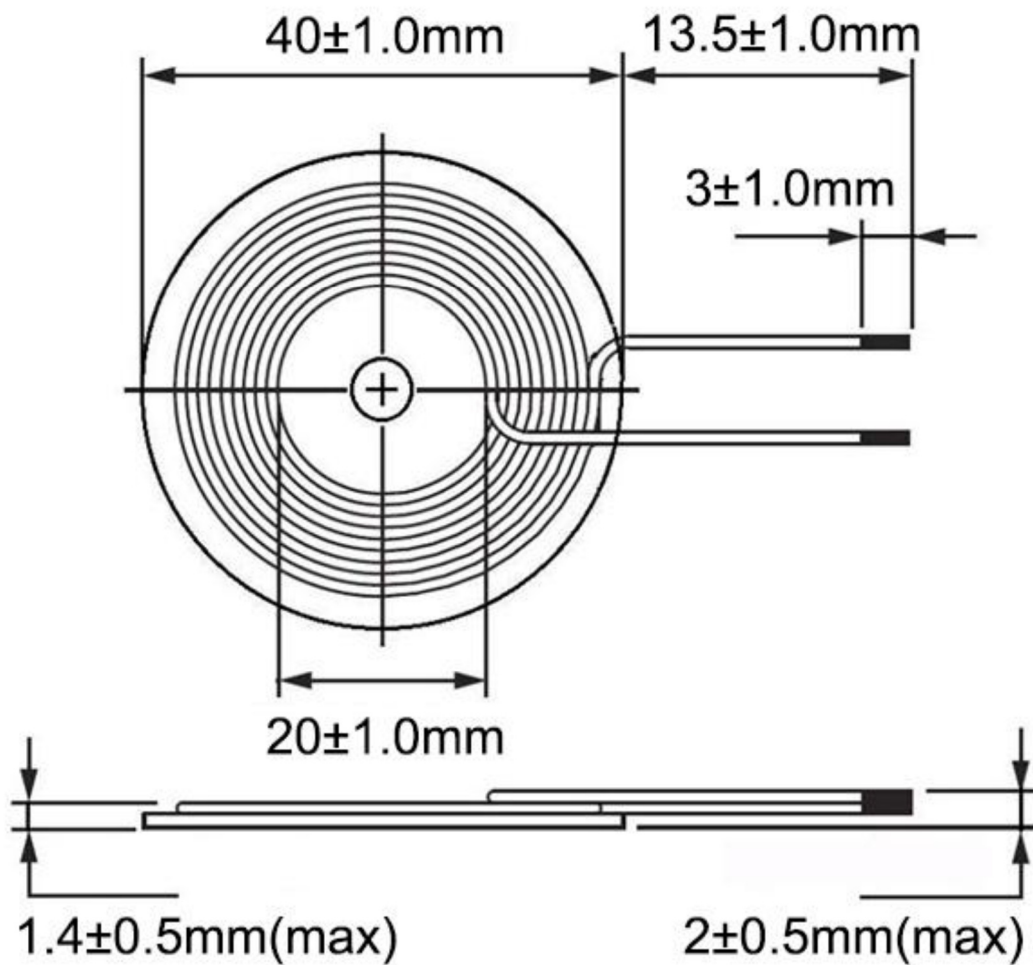
**For output 1 coil:**

Design Specifications	Typical
Antenna Type	Loop Antenna
Working Frequency	Output 1 - Phone: 111.0kHz to 162.8kHz
Overall Dimensions	41.0mm*21.0mm



For output 2 coil:

Design Specifications	Typical
Antenna Type	Loop Antenna
Working Frequency	Output 2 - TWS: 127.79kHz to 130.11kHz
Overall Dimensions	41.0mm*21.0mm



**For output 3 coil:**

Design Specifications	Typical
Antenna Type	Loop Antenna
Working Frequency	Output 3 - Watch: 322.844kHz to 323.668kHz & 1.62322MHz to 1.62584MHz
Overall Dimensions	26.0mm*15.5mm

